



ACCL80SC

BARN DOOR HARDWARE

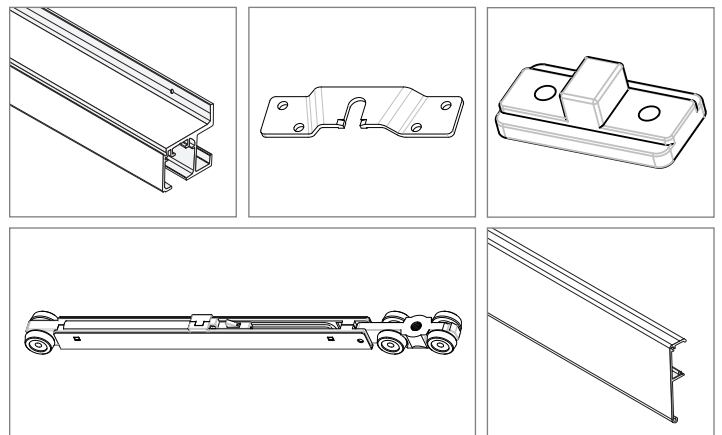
SPECIFICATIONS

Max door weight:
220 lbs

Track length comes in 2 lengths:
2M and 2.5M

Dual-Soft Close:
MINIMUM door size for application is 33 3/8" wide

HARDWARE




**Architectural
Concepts**

O (888) 248 2724
E info@archconceptsllc.com

18505 Longs Way
Parker, CO 80134

archconceptsllc.com

Available Finishes: Satin Anodized 

Custom finishes available

