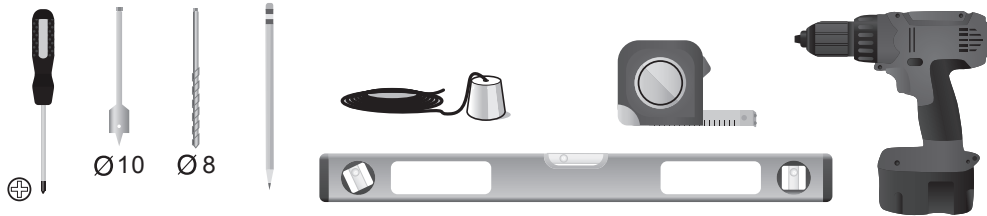


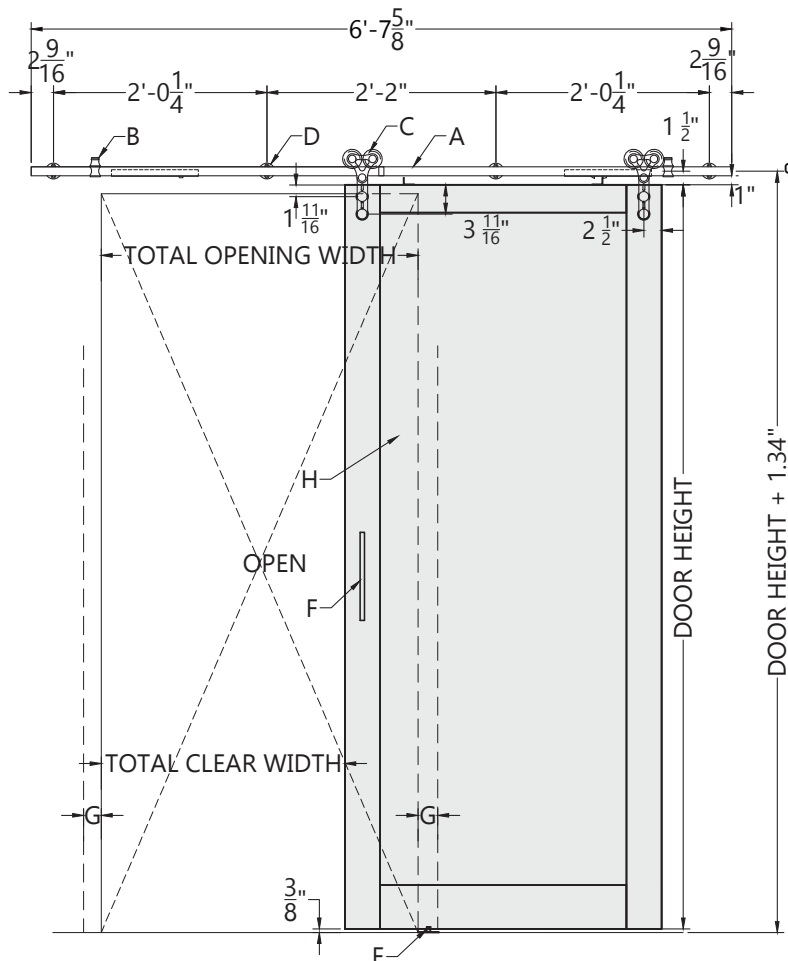


AC9000-C SERIES BARN DOOR INSTALLATION

TOOLS REQUIRED



DIMENSIONS



KEYNOTES:

- A. Stainless steel track with integrated soft close mechanism
- B. Door stop
- C. Trolley hardware
- D. Track mount hardware
- E. Floor guide
- F. Pull handle
- G. 2" side of door overlap at close position
- H. Wood door
- J. Wood casing

Architectural Concepts

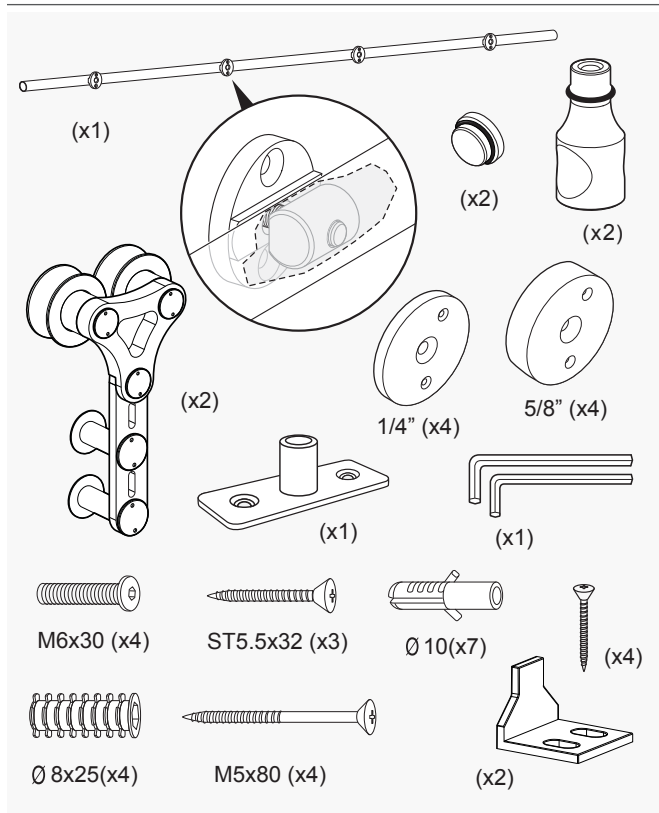
O (888) 248 2724
 D (720) 259 5358
 E info@archconceptsllc.com

18505 Longs Way
 Parker, CO 80134

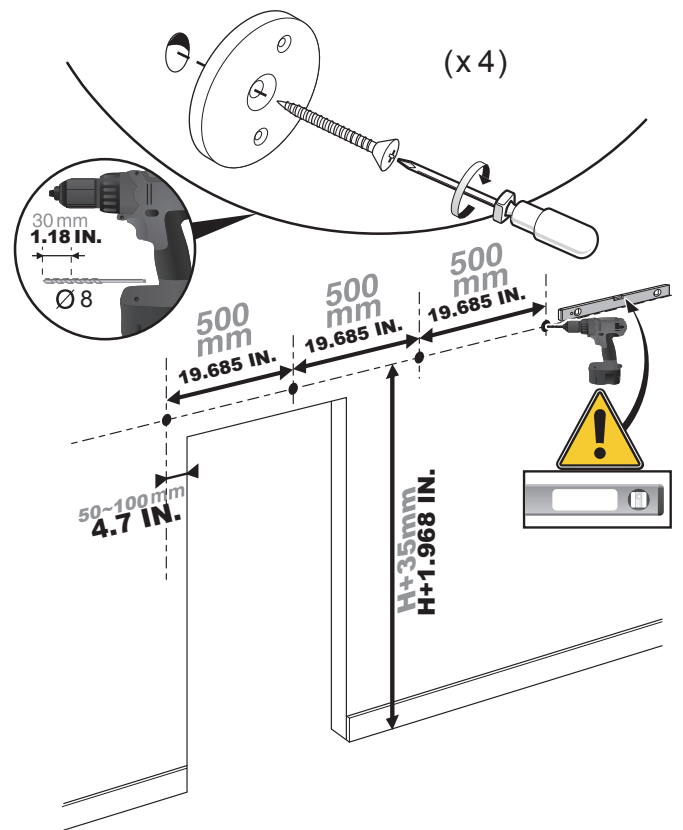
archconceptsllc.com

AC9000-C Barn Door Installation

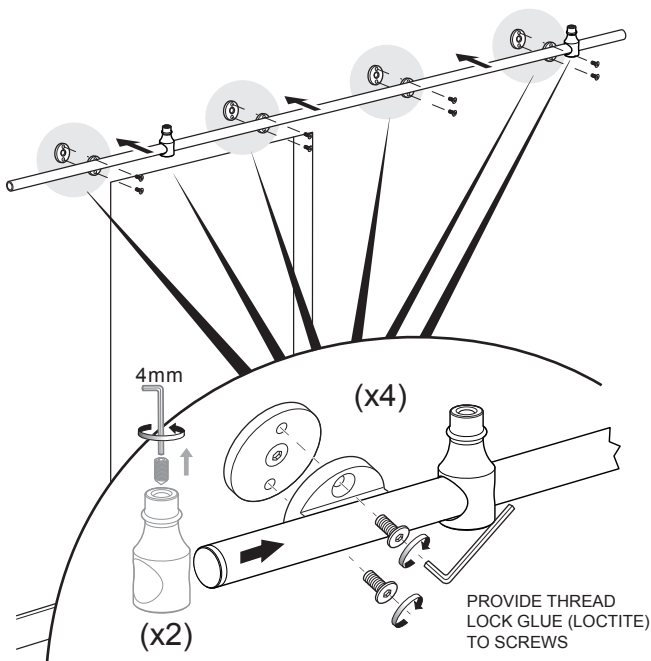
MATERIALS PROVIDED



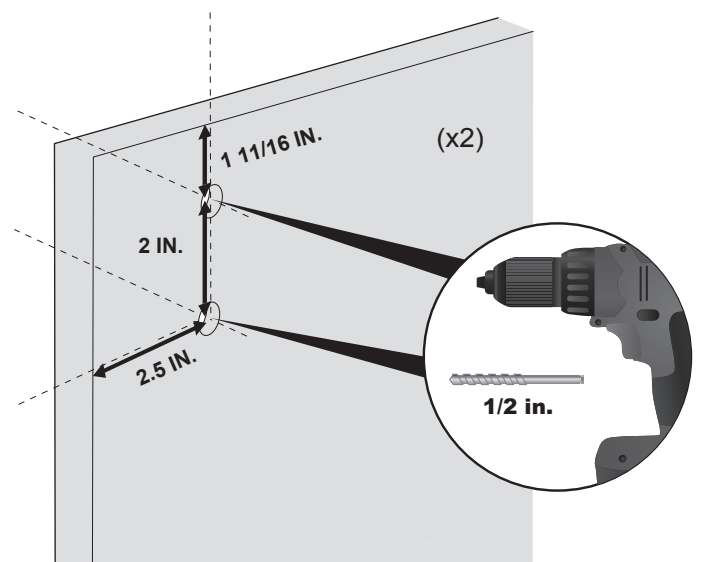
STEP 1



STEP 2



STEP 3



Architectural Concepts

(888) 248 2724 | (720) 259 5358 | info@archconceptsllc.com | 18505 Longs Way, Parker, CO 80134 | archconceptsllc.com

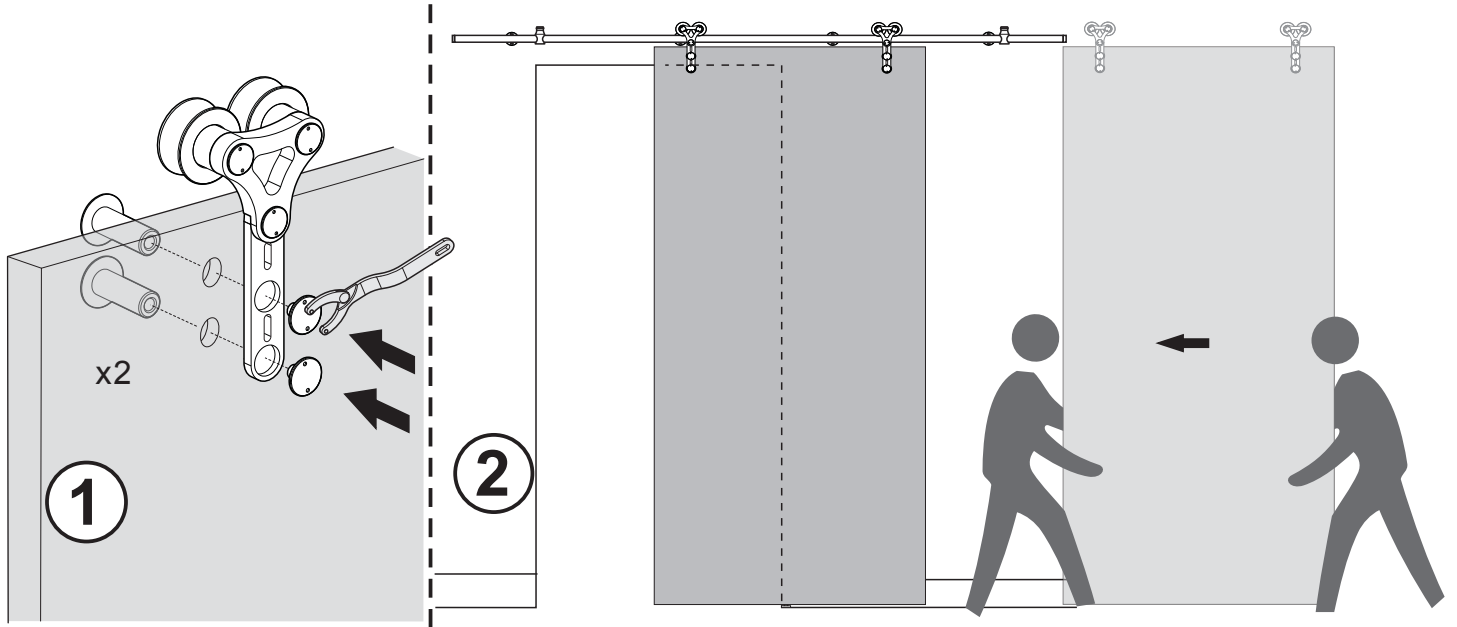
<https://www.archconceptsllc.com/products/doors/hardware/sliding-barn-door/>

Page 2 of 4

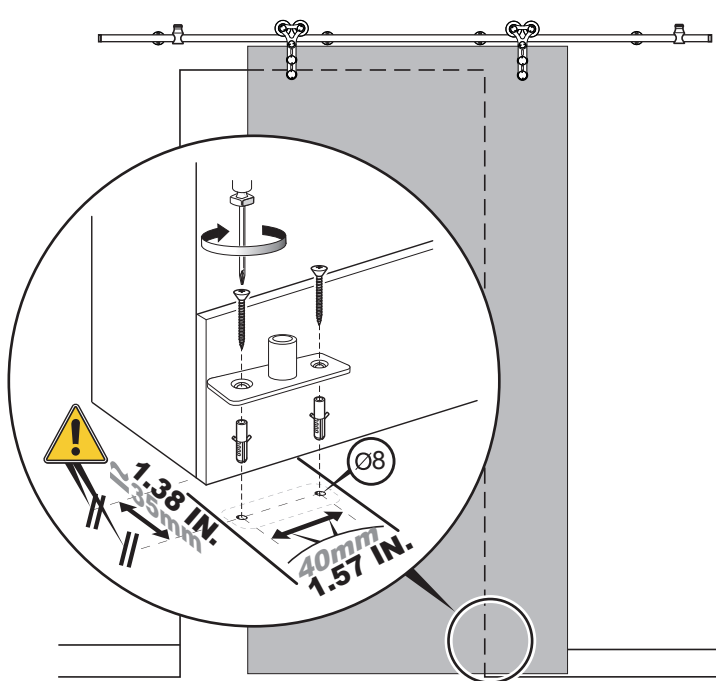
Revised 06-10-22

AC9000-C Barn Door Installation

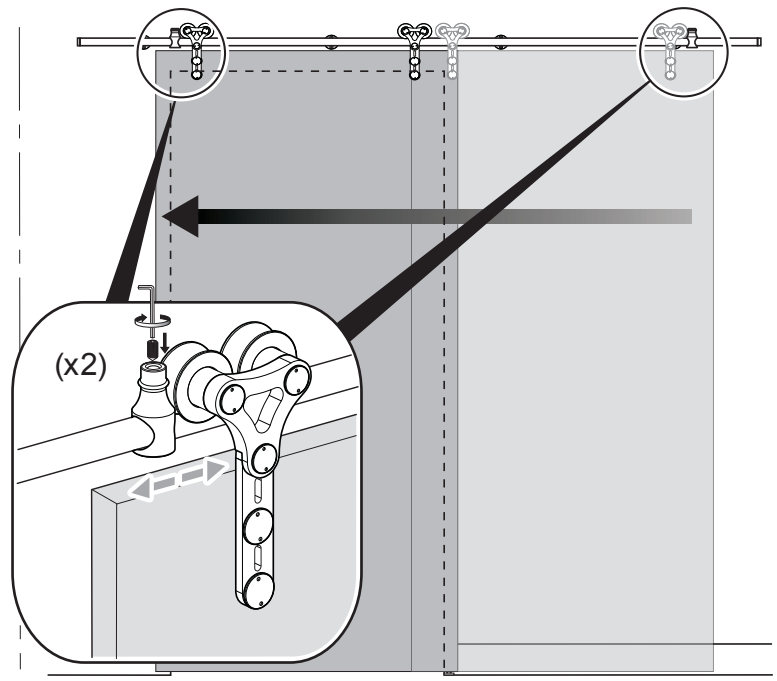
STEP 4



STEP 5



STEP 6



Architectural Concepts

(888) 248 2724 | (720) 259 5358 | info@archconceptsllc.com | 18505 Longs Way, Parker, CO 80134 | archconceptsllc.com

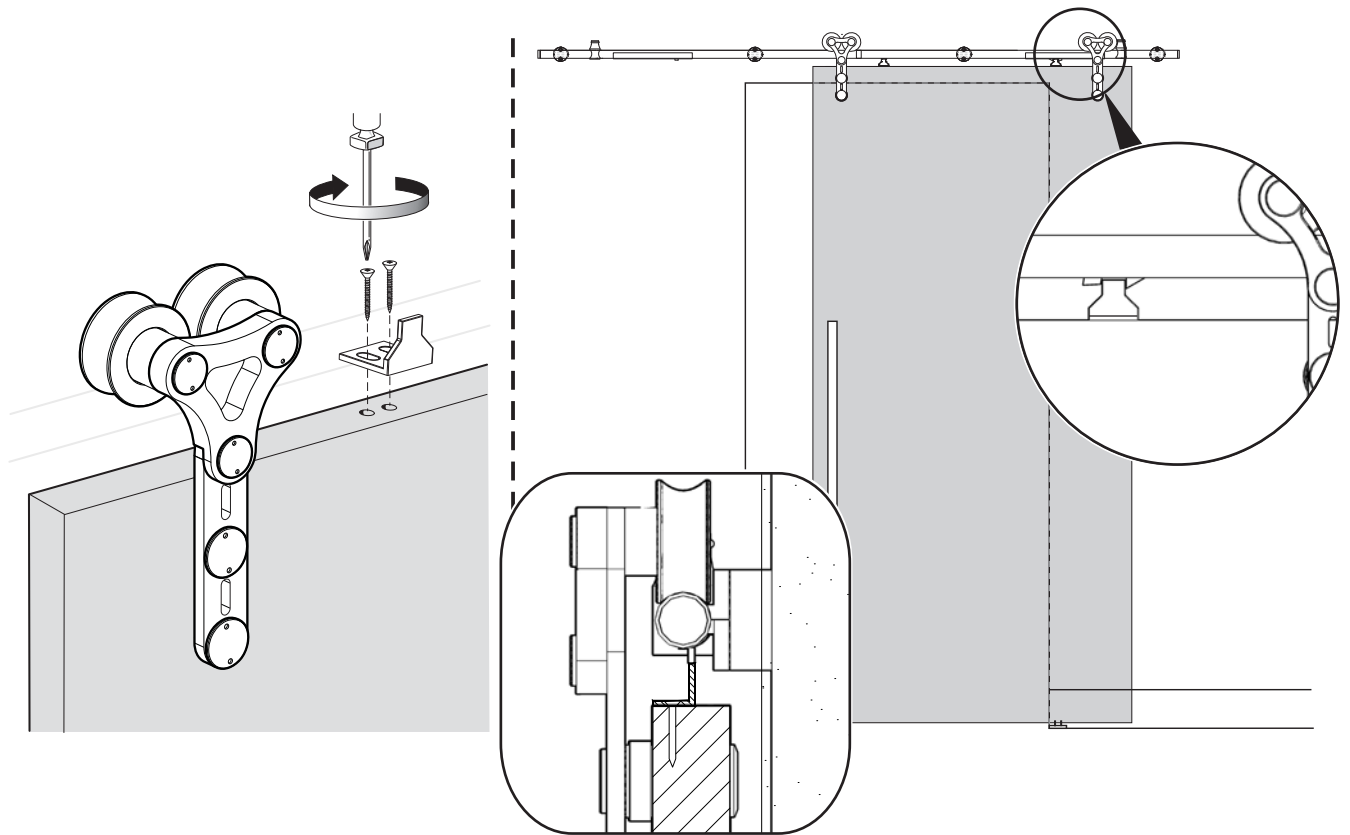
<https://www.archconceptsllc.com/products/doors/hardware/sliding-barn-door/>

Page 3 of 4

Revised 06-10-22

AC9000-C Barn Door Installation

STEP 7



Architectural Concepts

(888) 248 2724 | (720) 259 5358 | info@archconceptsllc.com | 18505 Longs Way, Parker, CO 80134 | archconceptsllc.com

<https://www.archconceptsllc.com/products/doors/hardware/sliding-barn-door/>

Page 4 of 4

Revised 06-10-22