



Architectural Concepts

MONTEREY

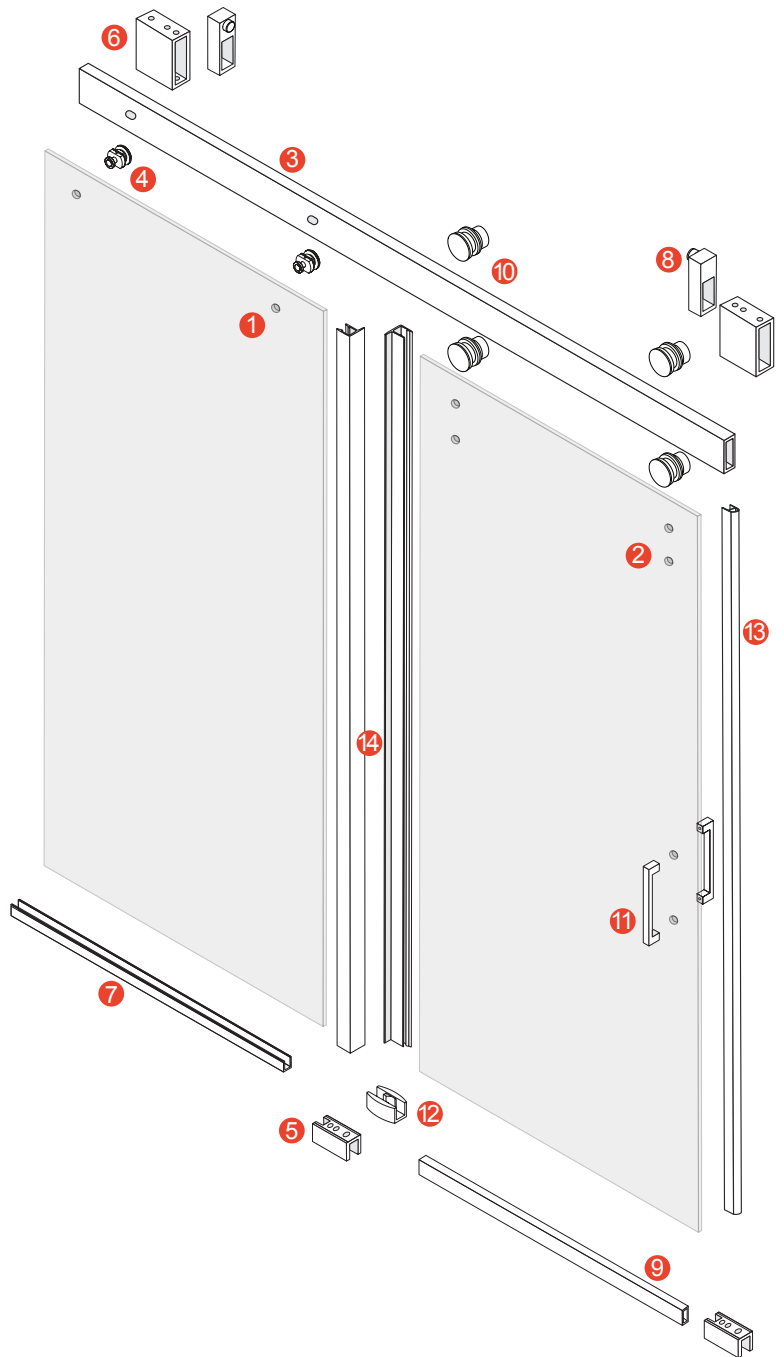
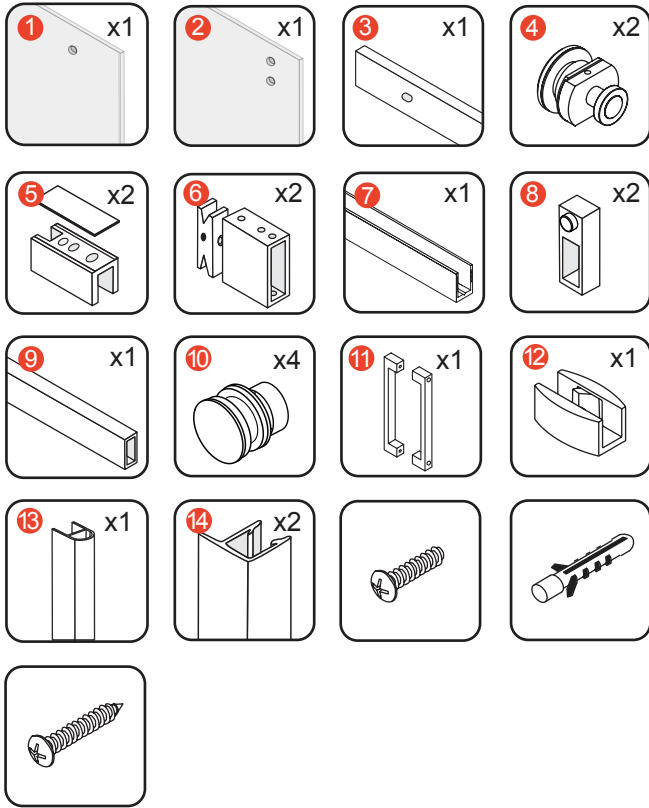
Barn Door Shower Enclosure Installation Instructions

60" Track, 30" fixed panel, 76" OA height,
3/8" (10mm) glass

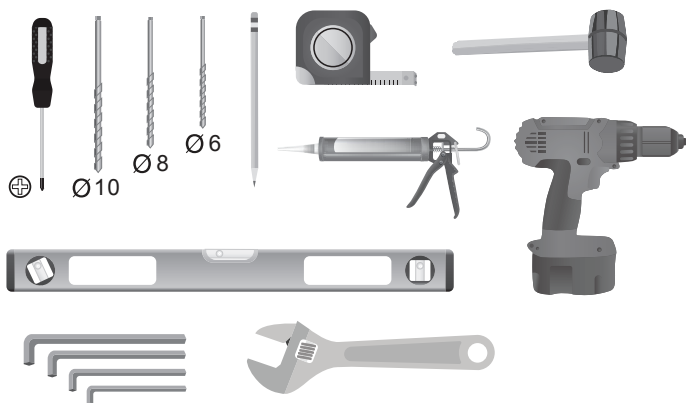
Customization Options Available



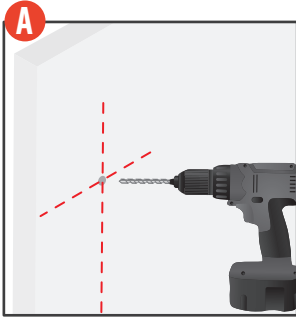
HARDWARE INCLUDED



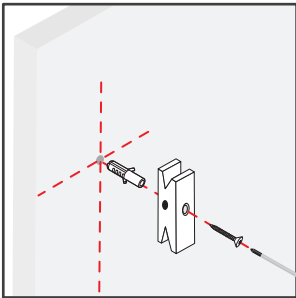
TOOLS NEEDED



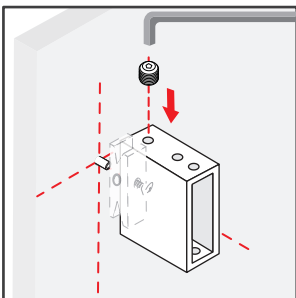
Step 1



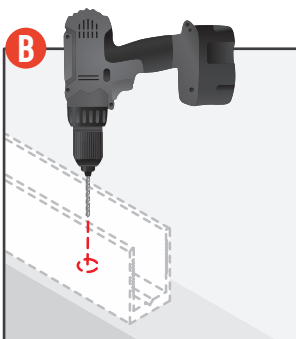
A.1
Measure and drill holes for wall anchors to hold mounting brackets. Measurements are to center of mounting bracket block



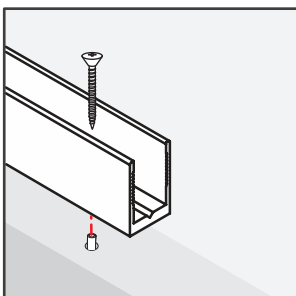
A.2
Mount bracket support



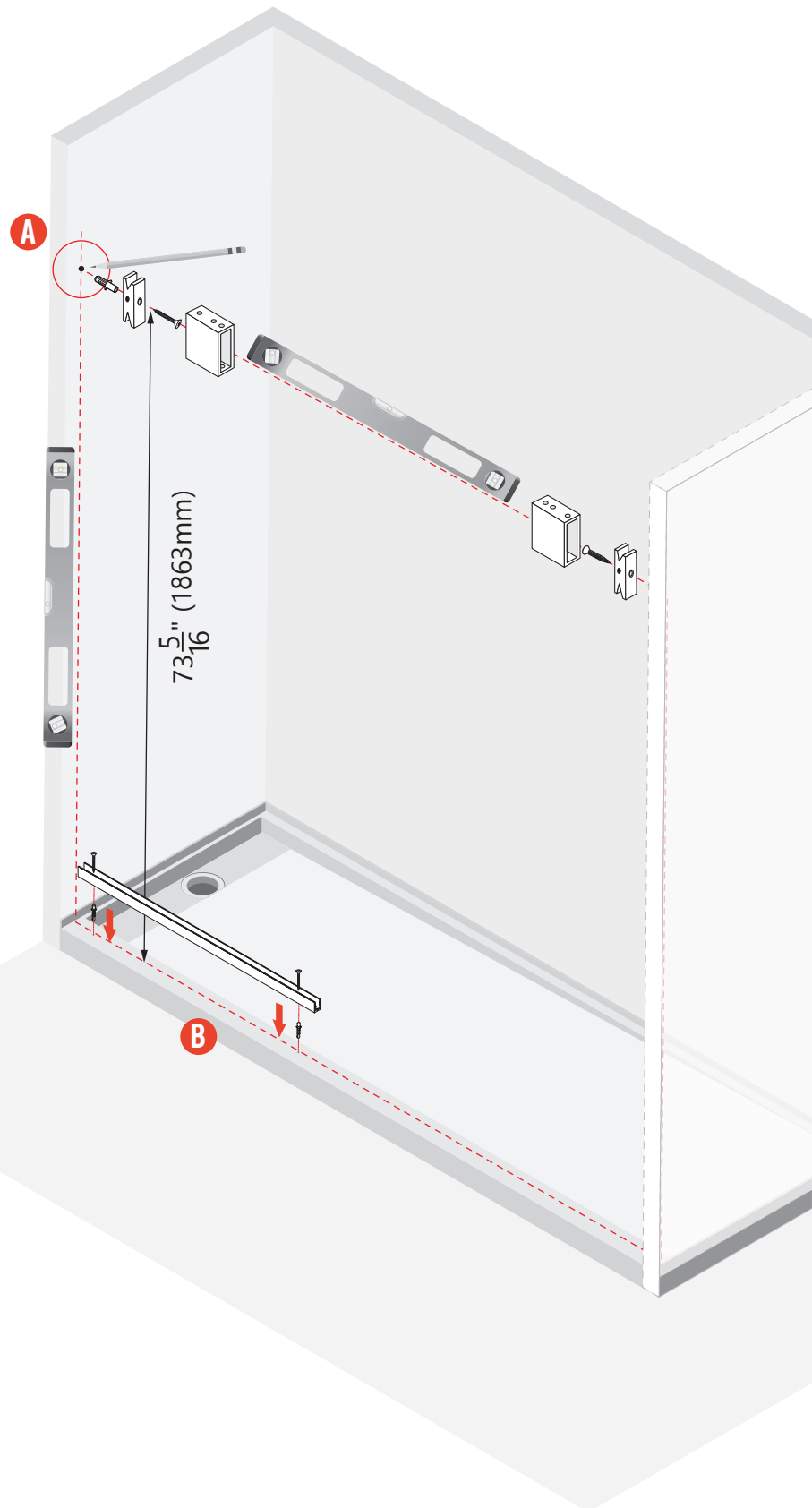
A.3
Attach bracket and hold in place with hex nut



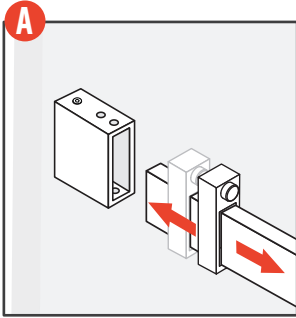
B.1
Mark and drill holes to mount bottom u-channel for fixed panel



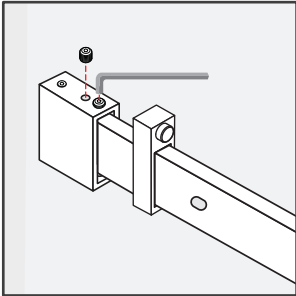
B.2
Apply silicone over installed screw heads to seal
Caulk the inside corner where it meets the wall



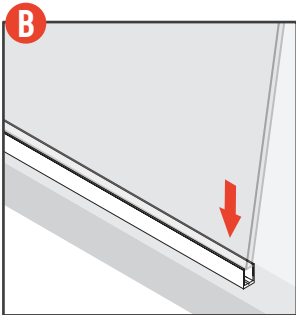
Step 2



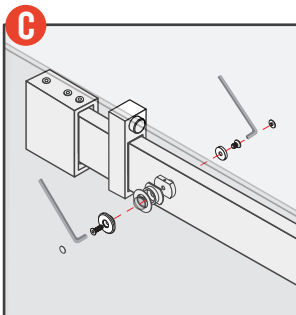
A.1
 Insert door stops at either end prior to mounting track



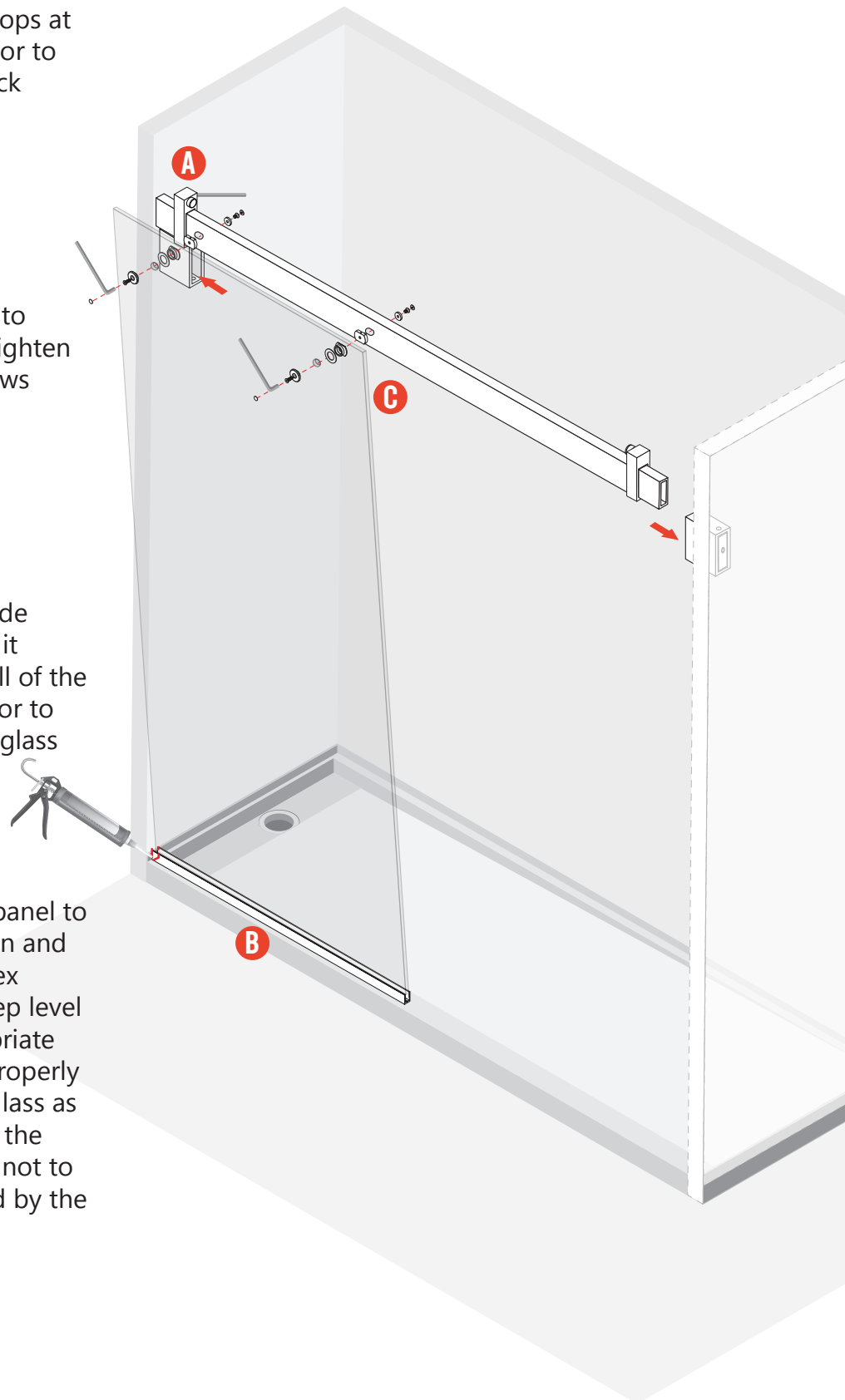
A.2
 Insert track into bracket and tighten both hex screws



B.1
 Caulk the inside corner where it meets the wall of the u-channel prior to installing the glass panel

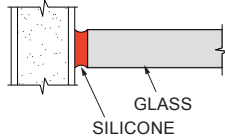


C.1
 Mount fixed panel to trolley. Tighten and adjust with hex wrench to keep level. Install appropriate blocking to properly support the glass as the weight of the fixed panel is not to be suspended by the track.



Step 3

A.1
Silicone glass to wall on vertical edge and along u-channel

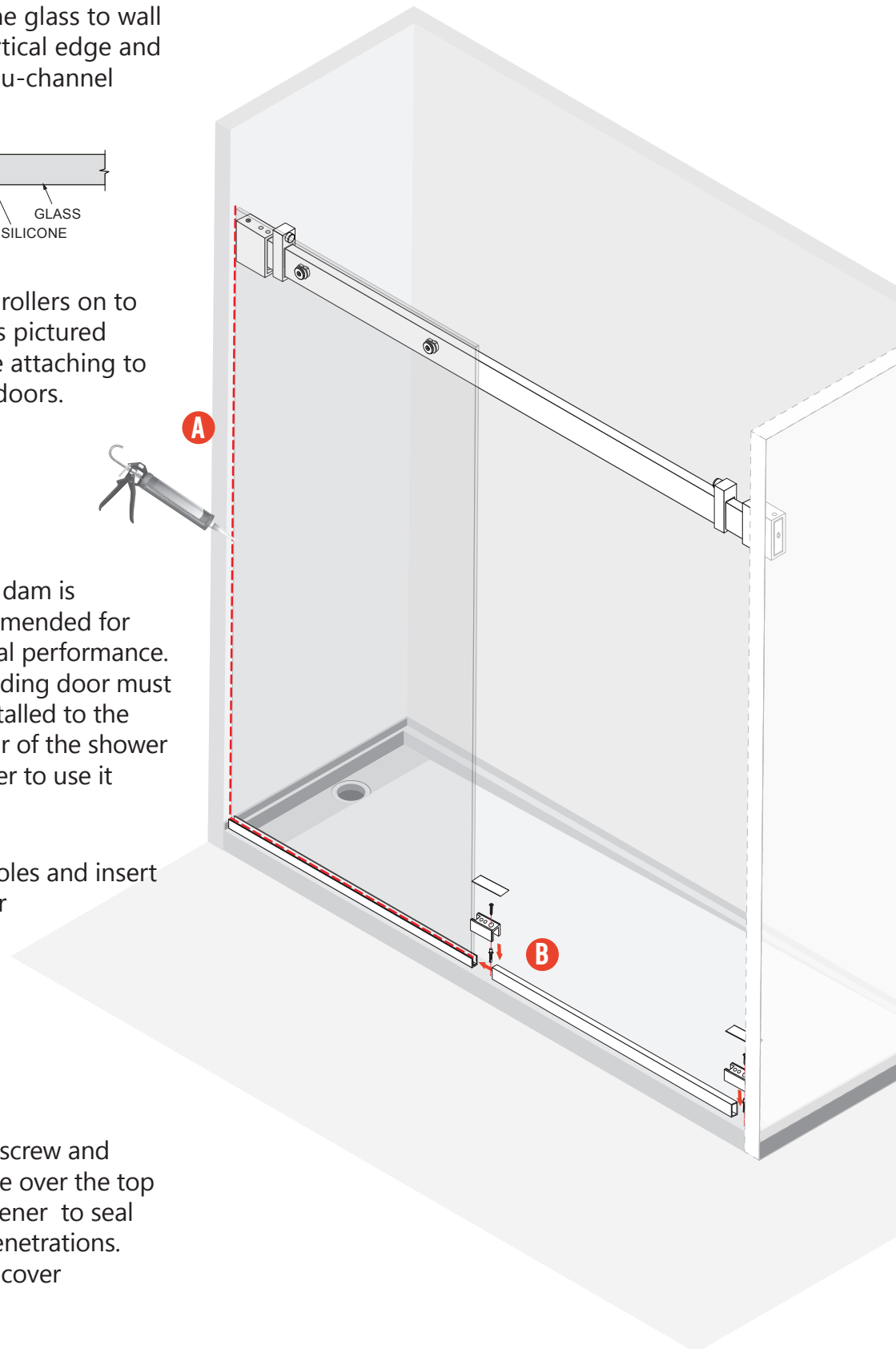
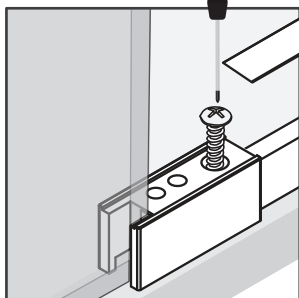
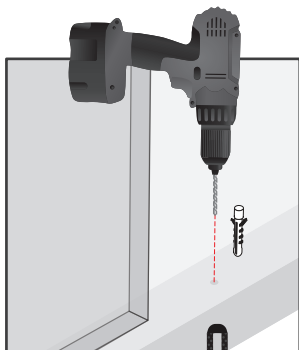
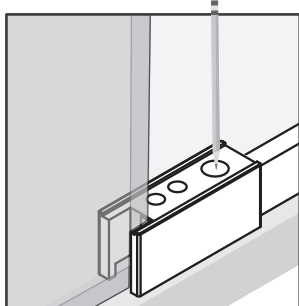
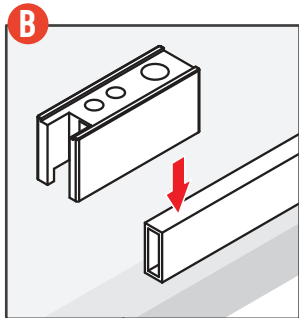
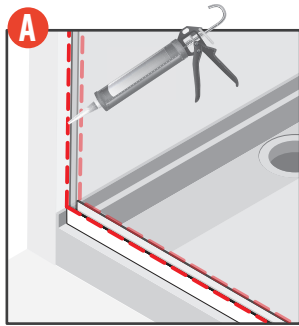


B.1
Insert rollers on to rails as pictured before attaching to glass doors.

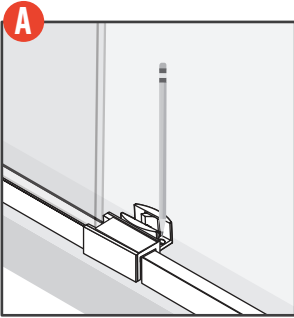
B.2
Water dam is recommended for optimal performance. The sliding door must be installed to the interior of the shower in order to use it

B.3
Drill holes and insert anchor

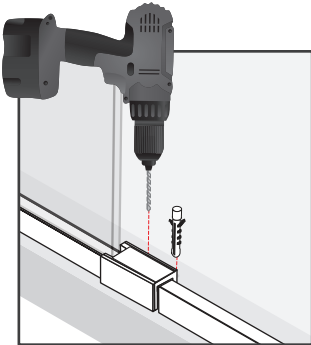
B.4
Insert screw and silicone over the top of fastener to seal any penetrations. Apply cover



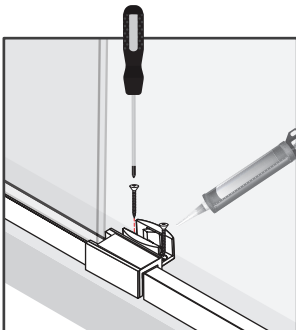
Step 4



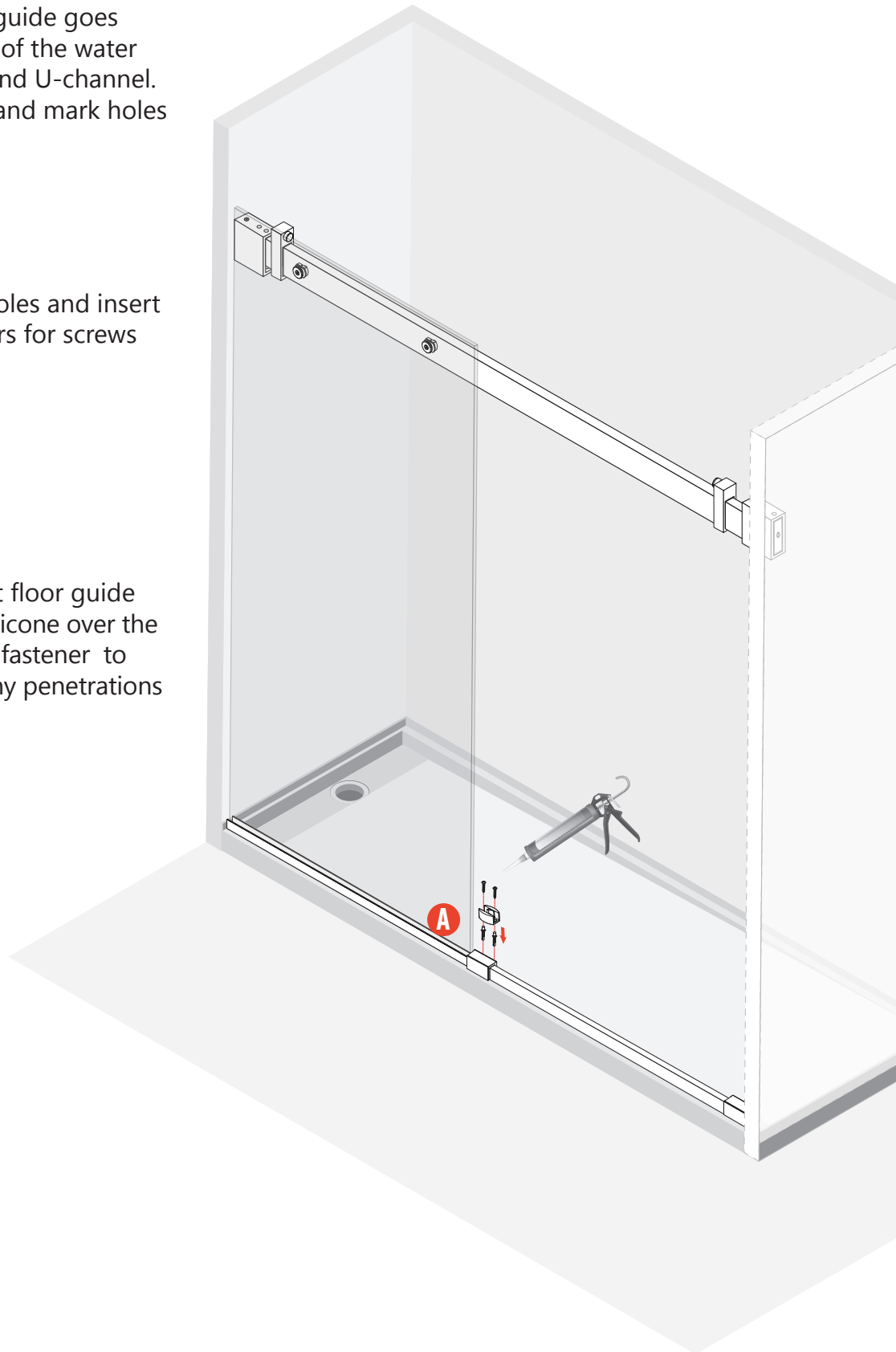
A.1
Floor guide goes inside of the water dam and U-channel. Place and mark holes



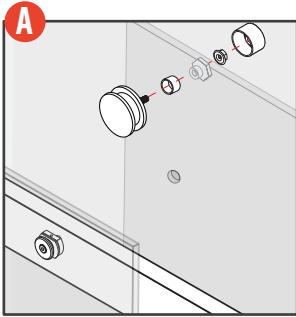
A.2
Drill holes and insert anchors for screws



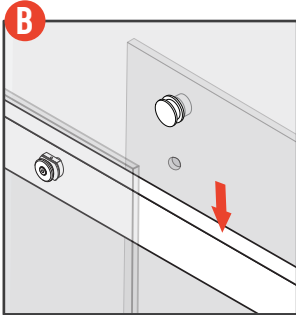
A.3
Mount floor guide and silicone over the top of fastener to seal any penetrations



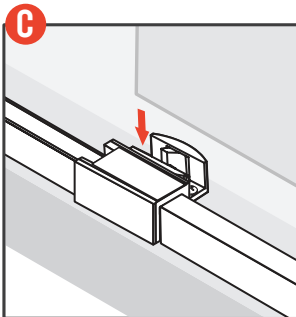
Step 5



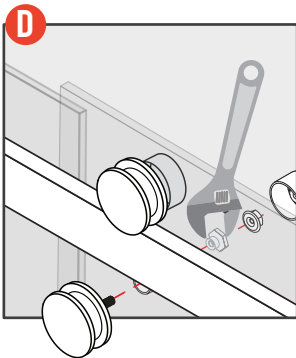
A.1
Attach rollers to glass door



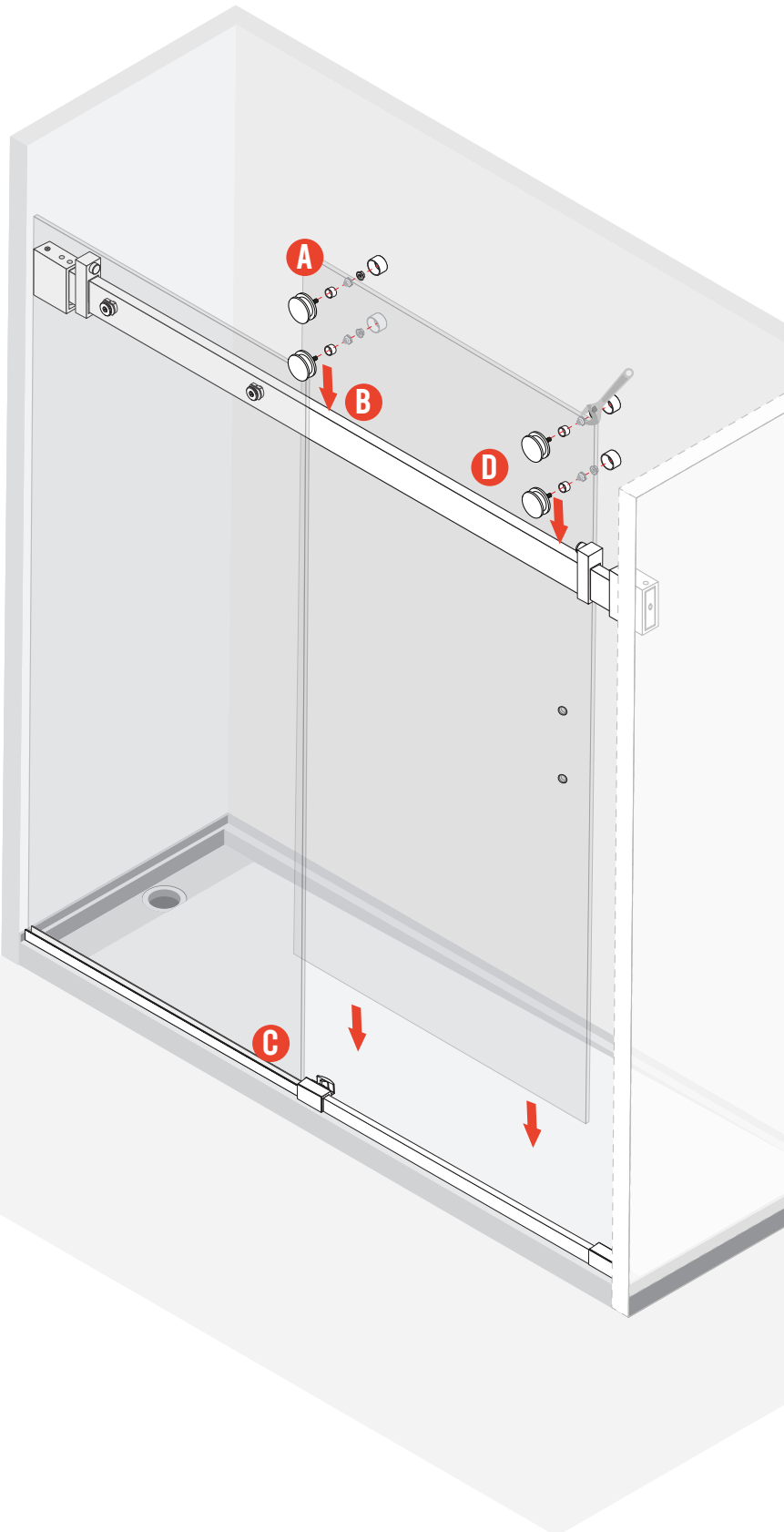
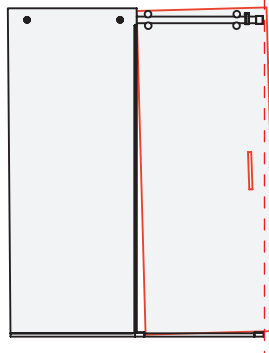
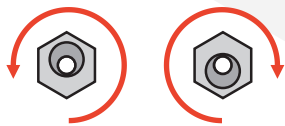
B.1
Mount door to top of trolley and adjust for smooth movement



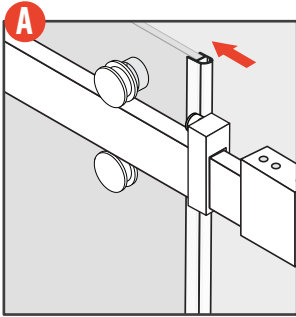
C.1
Align bottom guide to allow glass to run in a plumb condition



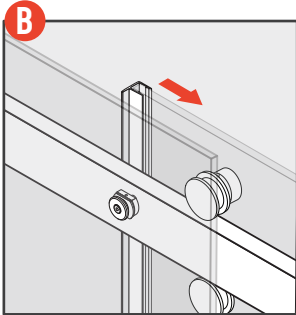
D.1
Attach bottom rollers to glass and adjust as needed to roll smoothly



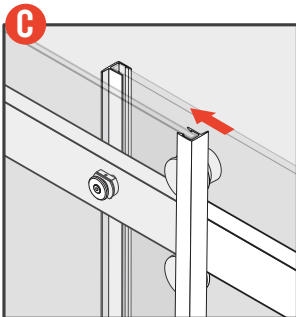
Step 6



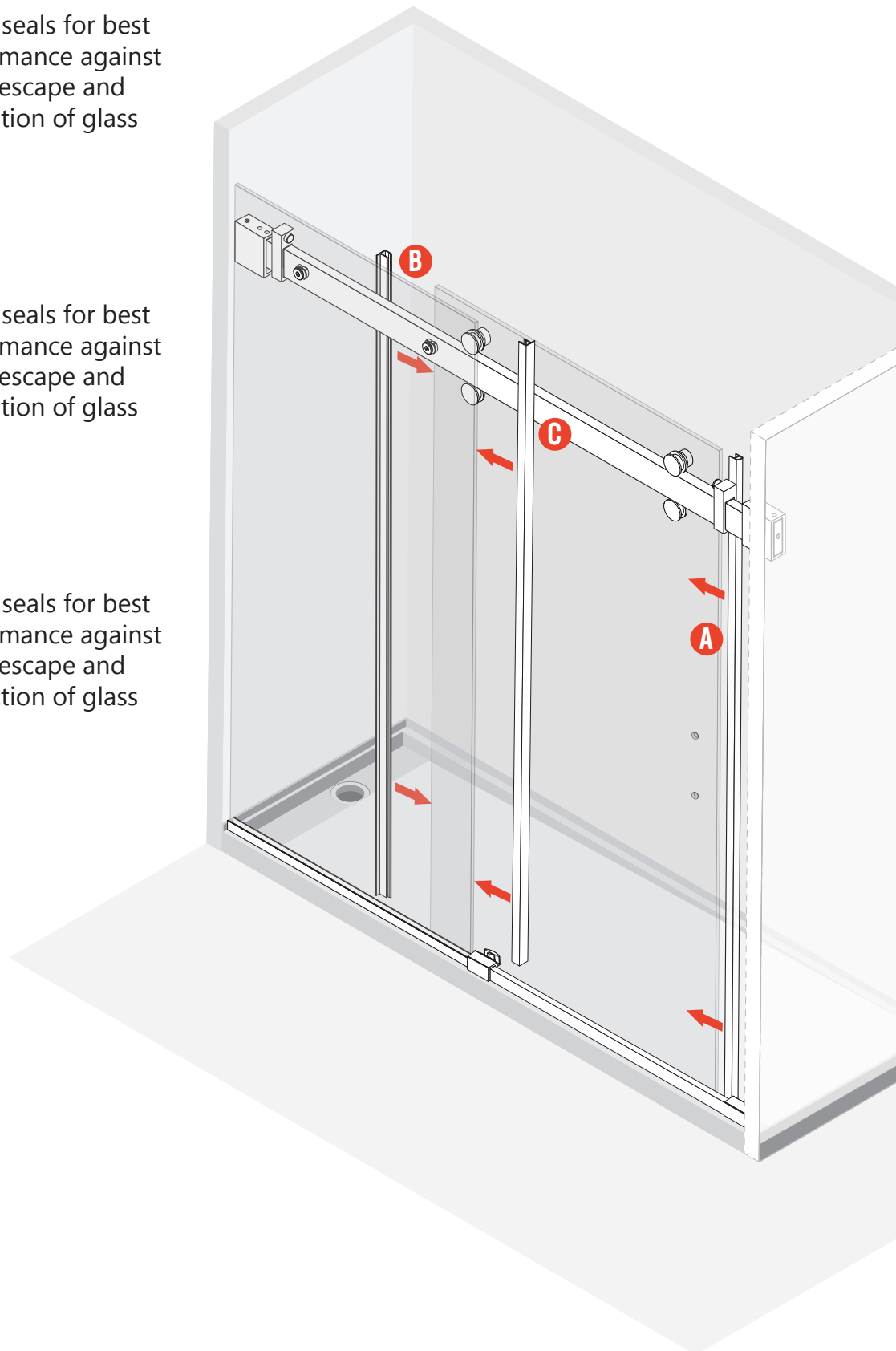
A.1
Install seals for best performance against water escape and protection of glass edge



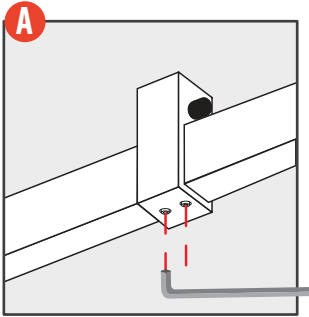
B.1
Install seals for best performance against water escape and protection of glass edge



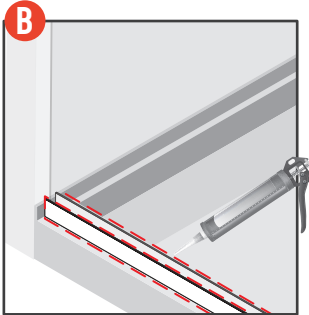
C.1
Install seals for best performance against water escape and protection of glass edge



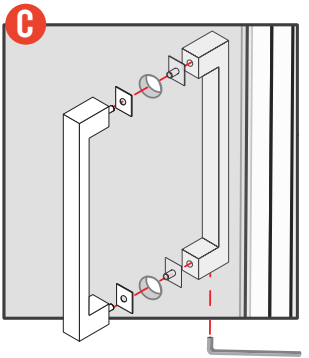
Step 7



A.1
Tighten stops once door position aligns correctly. Loc-Tite is recommended for the secure tightening of all fittings



B.1
After completing installation, use silicone inside and outside of shower to prevent leakage



C.1
Attach pull hardware

