

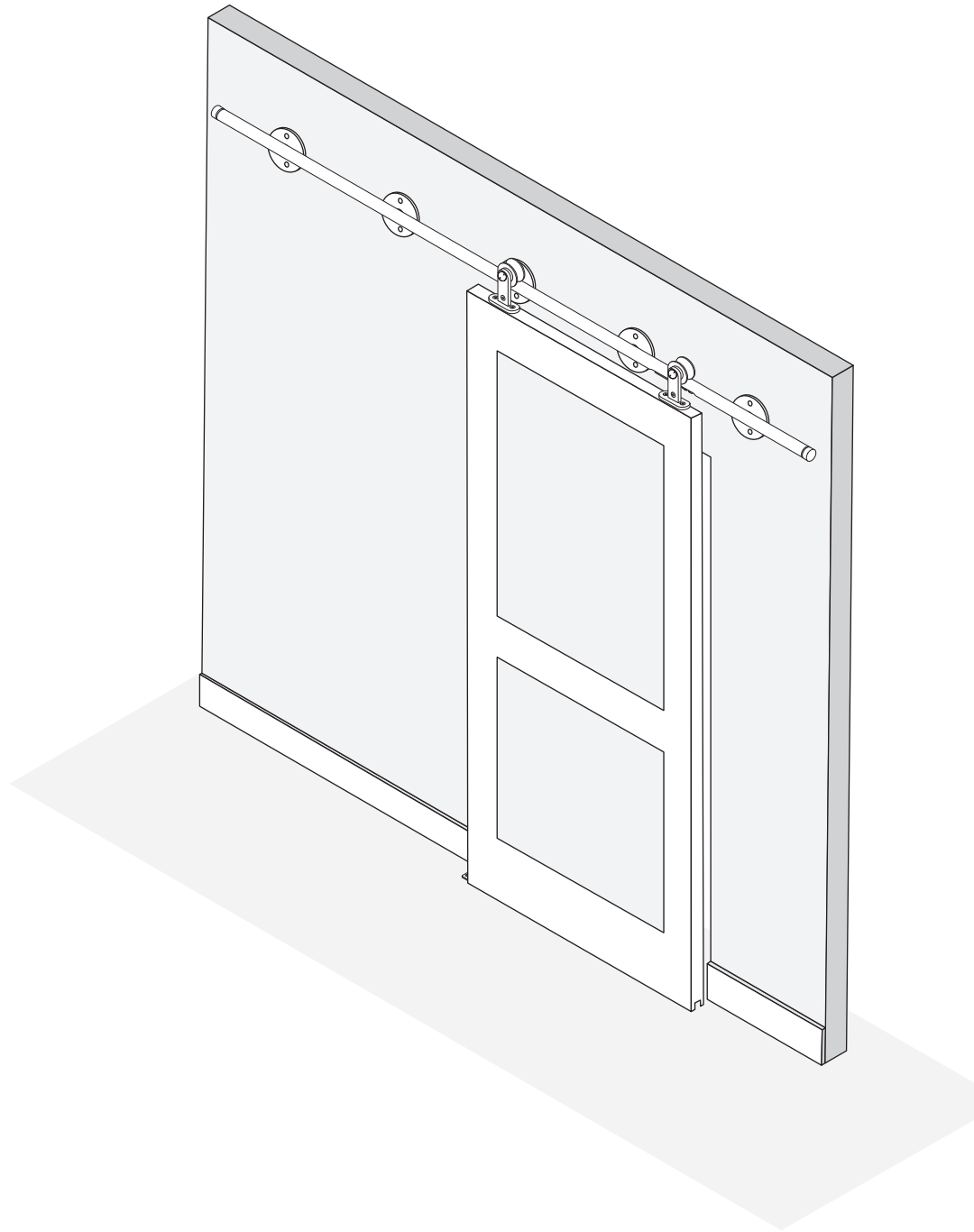
# Architectural Concepts

## AC9000 A

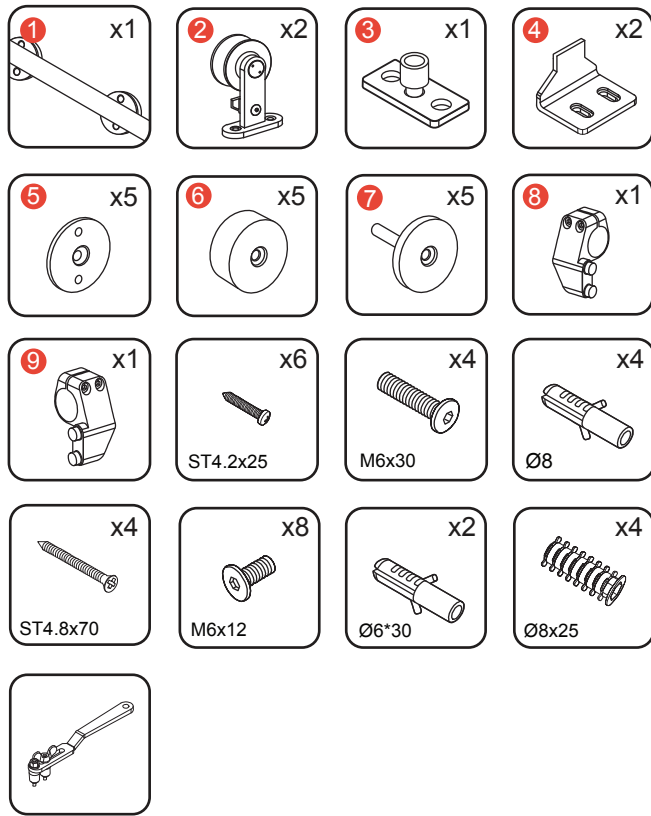
### Barn Door Installation Instructions

78 3/4" (2 M) Track Length (pictured)  
98 7/16" (2.5 M) Track Length

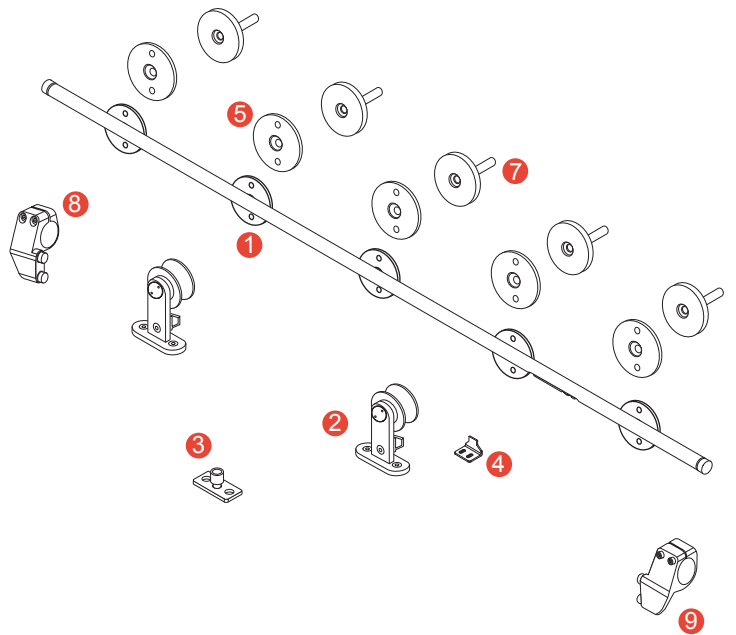
**Dual-Soft Close**  
MINIMUM door size for application is  
23 5/8" wide



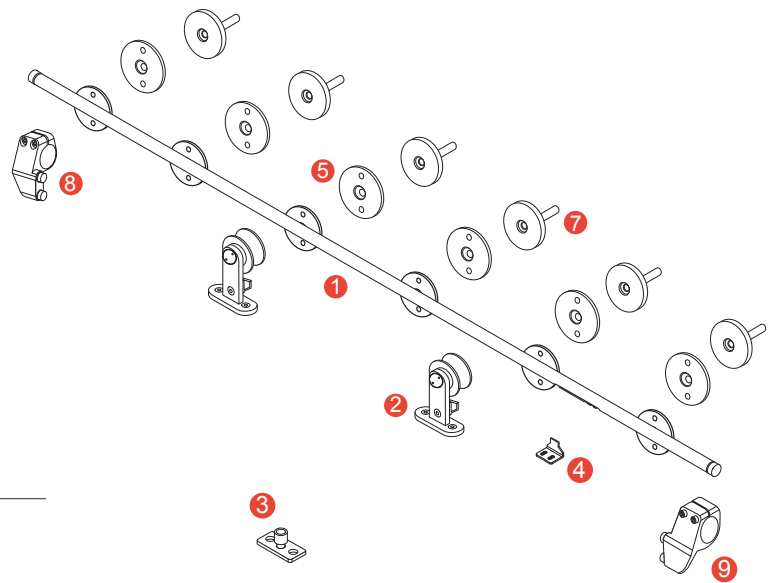
**HARDWARE INCLUDED**



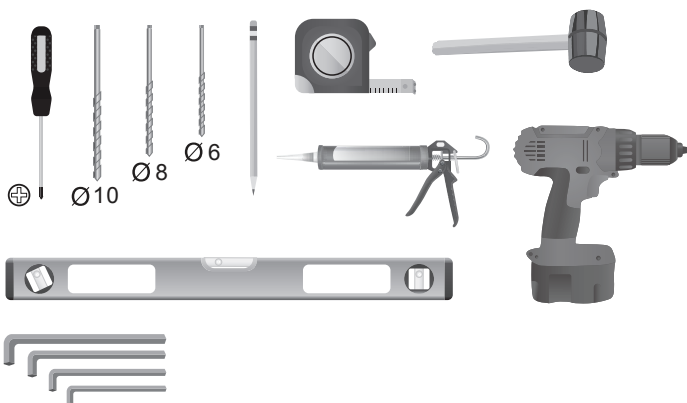
**2M**



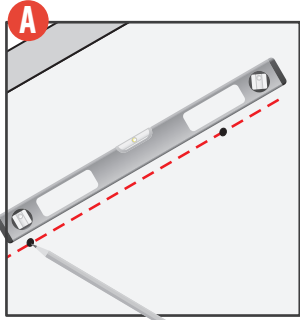
**2.5 M**



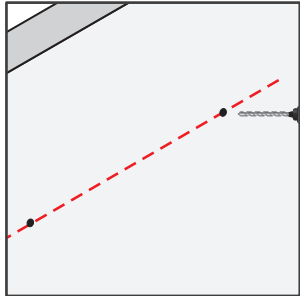
**TOOLS NEEDED**



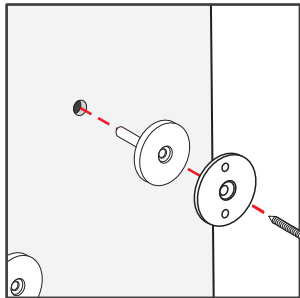
**Step 1**



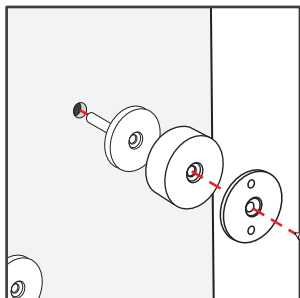
**A.1**  
 Measure for position of wall mounts that are 16" apart. Ensure marks are level  
**Track should be fastened to solid wood or steel blocking for support**



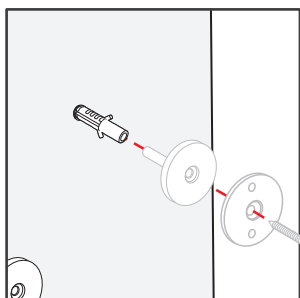
**A.2**  
 Drill holes



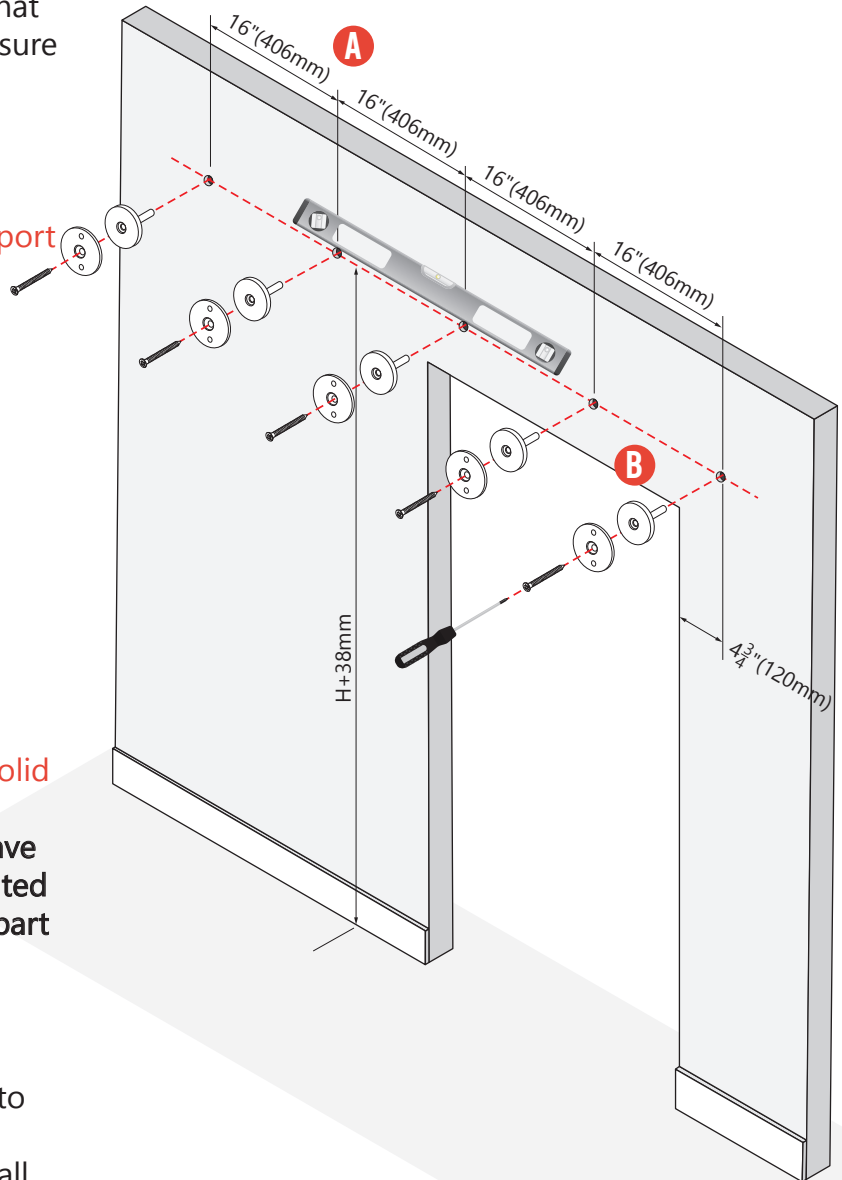
**B.1**  
 Install the 5 wall mount brackets.  
**ONLY install to solid blocking**  
 The 2.5 M will have 6 brackets mounted same distance apart



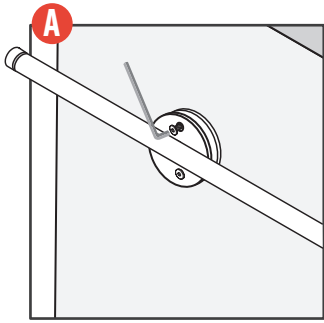
**B.2**  
 If needed, install included spacer to move the door further off the wall to clear thick casing



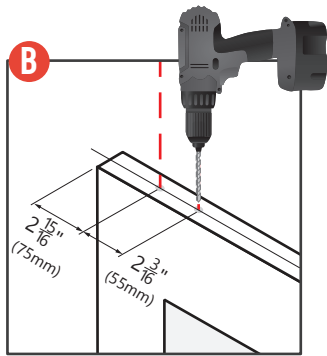
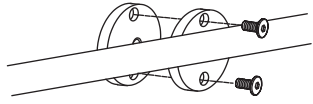
**B.3**  
 If the field installer determines masonry/drywall anchors are needed ensure the anchors are appropriate for the application



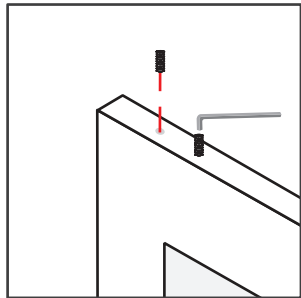
**Step 2**



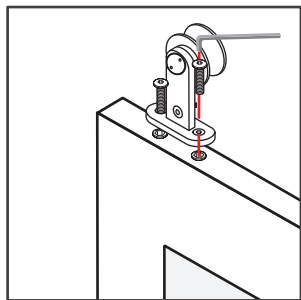
**A.1**  
Use 4mm hex wrench to mount track to wall brackets



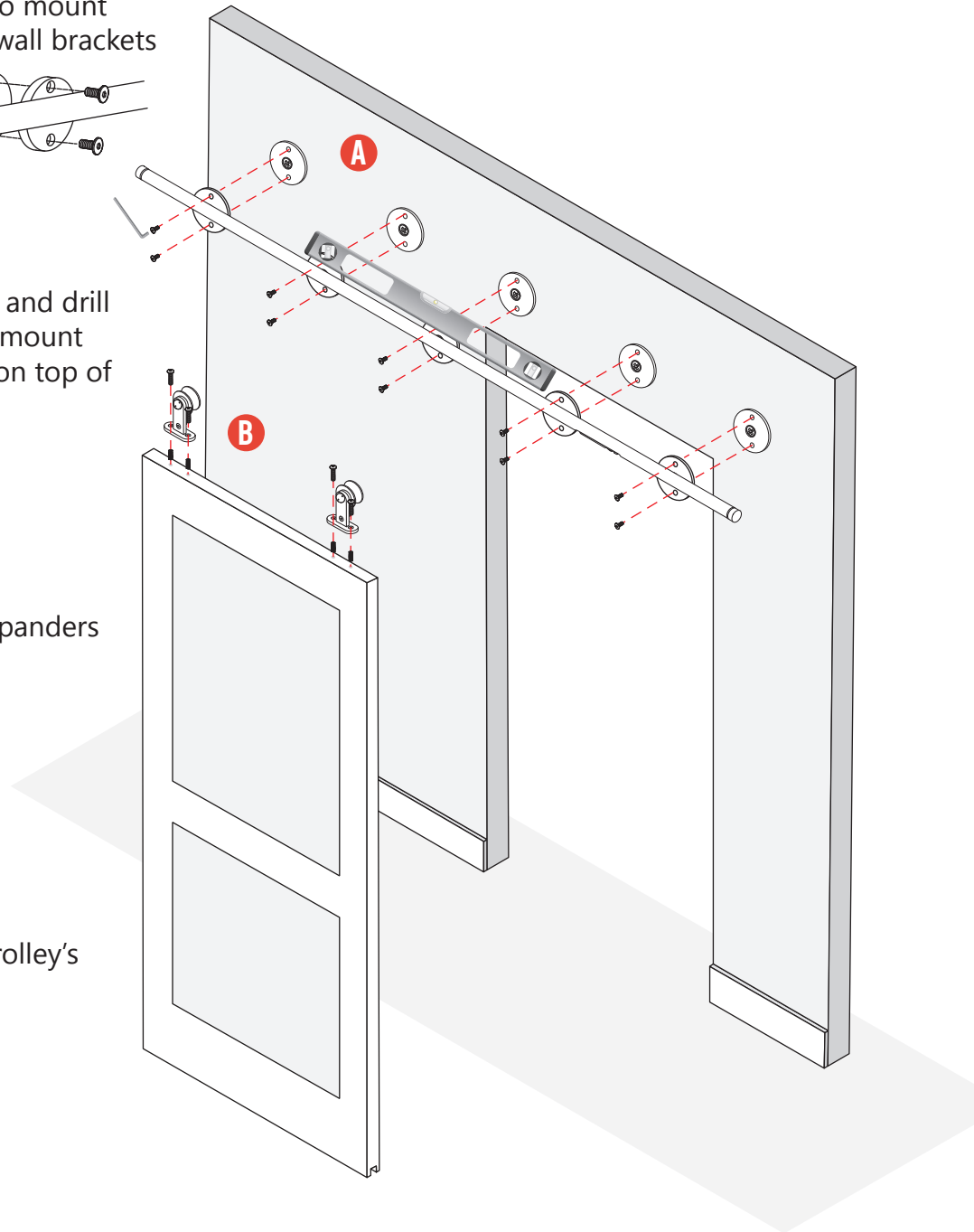
**B.1**  
Measure and drill holes to mount trolley's on top of door



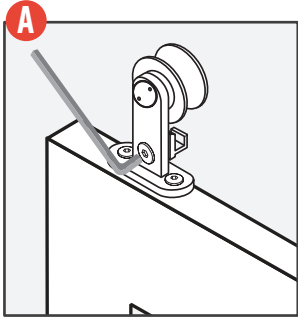
**B.2**  
Insert expanders



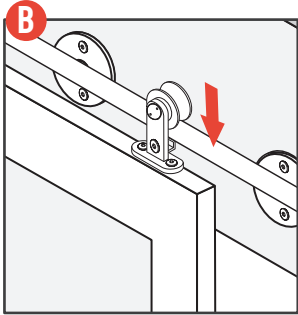
**B.3**  
Mount trolley's



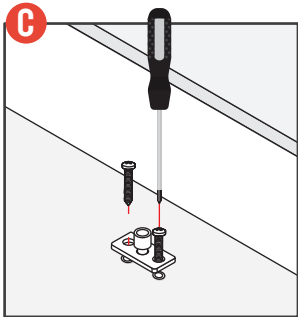
Step 3



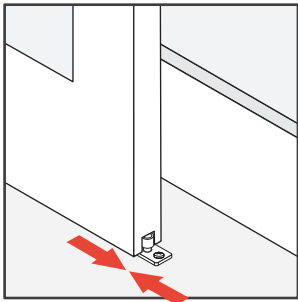
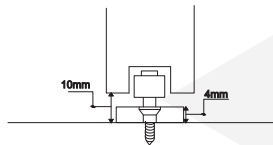
A.1



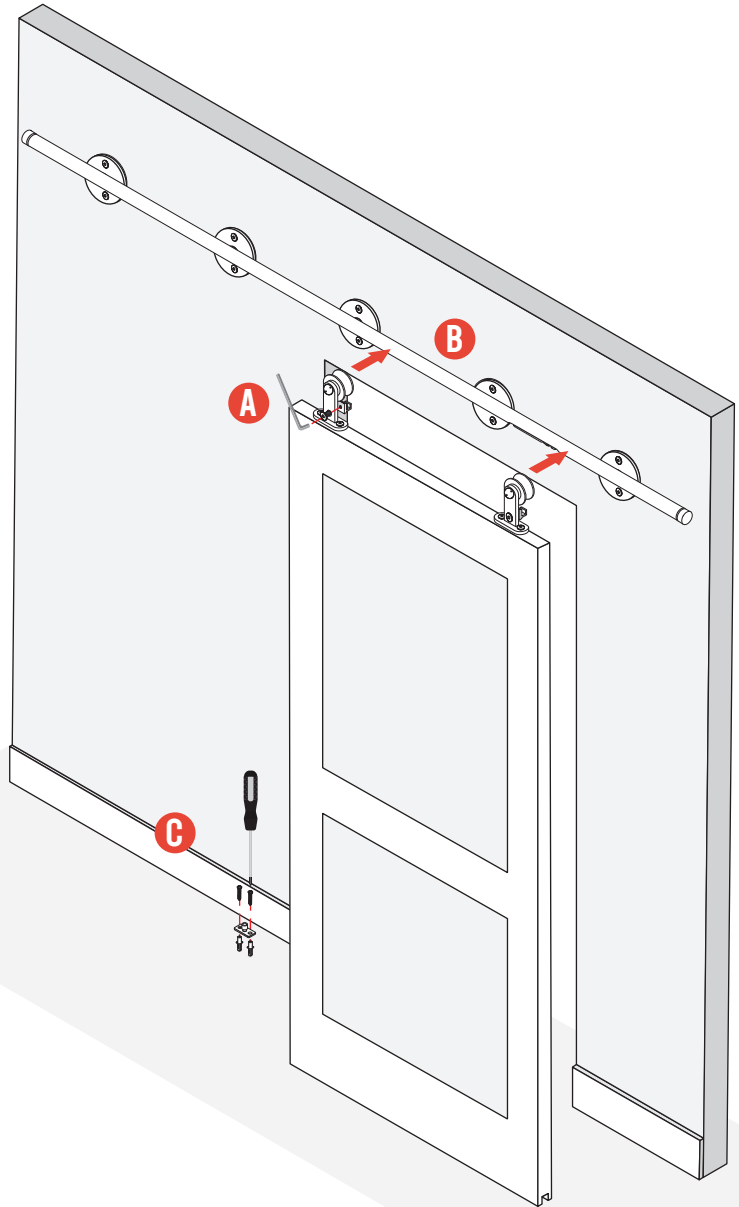
B.1  
Drop trolley's onto track

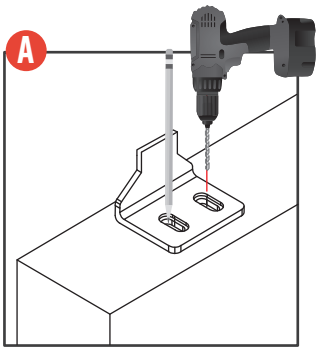


C.1  
Position and mount floor guide



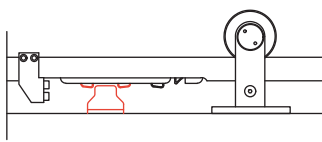
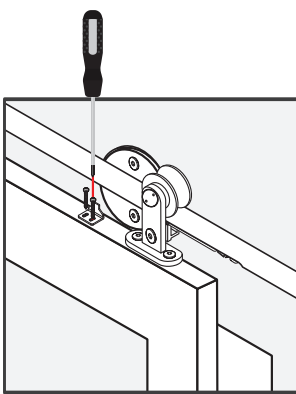
C.2  
Ensure door glides smoothly back-and-forth over floor guide



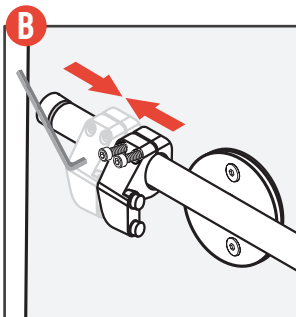
**Step 4**

**A.1**  
Move the door to the desired stopping and opening locations. Allow the soft close mechanism to reach the end of its travel.

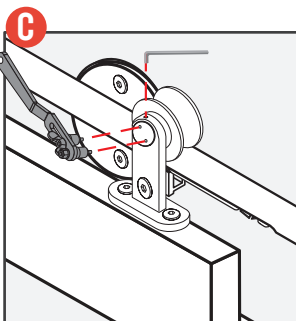
Insert the actuator into the receptor clamp on the soft close device and mark the location of the actuator. Repeat on the other side of the door to set the final stopping position in the opposite direction. **Mark and drill holes for soft-close hook**



**A.2**  
Mount soft-close actuator



**B.1**  
Install stoppers at both ends of track adjusting for door placement and tighten



**C.1**  
Adjust as needed for tightening

