



ACMT6308

PULL HARDWARE



SPECIFICATIONS

FINISHES

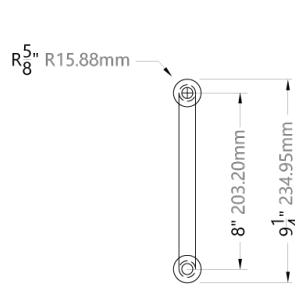
629 - Polished Stainless
630 - Satin Stainless

Custom colors available upon request

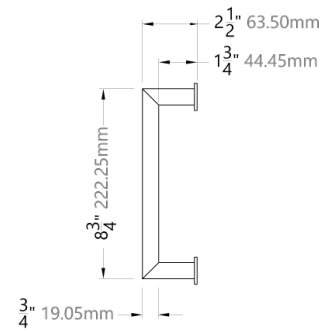
MODEL

ACMT6308

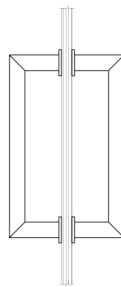
DIMENSIONS



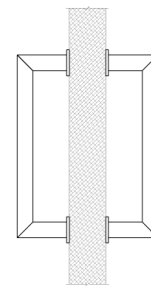
BACK



SIDE



GLASS



GLASS

**Architectural
Concepts**

O. 888.248.2724
D. 720.259.5358
E. info@archconceptsllc.com

18499 Longs Way
Suite 102
Parker, CO 80134

archconceptsllc.com