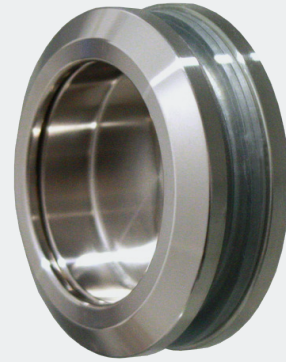




# AC099

PULL HARDWARE



## SPECIFICATIONS

### FINISHES

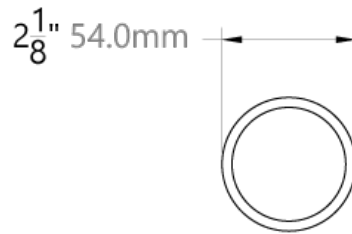
- 625 - Polished Chrome
- 622 - Matte Black
- 630 - Brushed Stainless

*Additional finishes available*

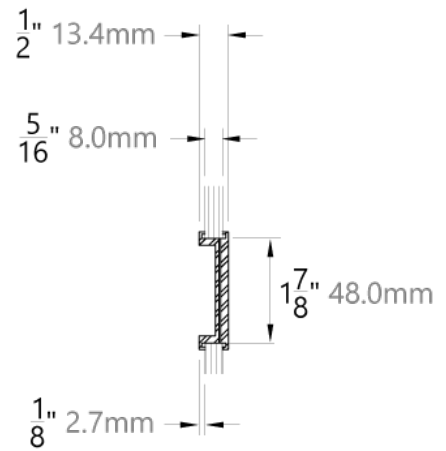
### MODEL

AC099

## DIMENSIONS



FRONT



SIDE

**Architectural  
Concepts**

O (888) 248 2724  
D (720) 259 5358  
E [info@archconceptsllc.com](mailto:info@archconceptsllc.com)

18505 Longs Way  
Parker, CO 80134

[archconceptsllc.com](http://archconceptsllc.com)