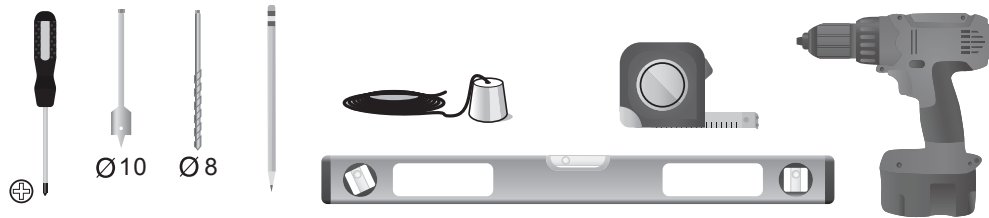


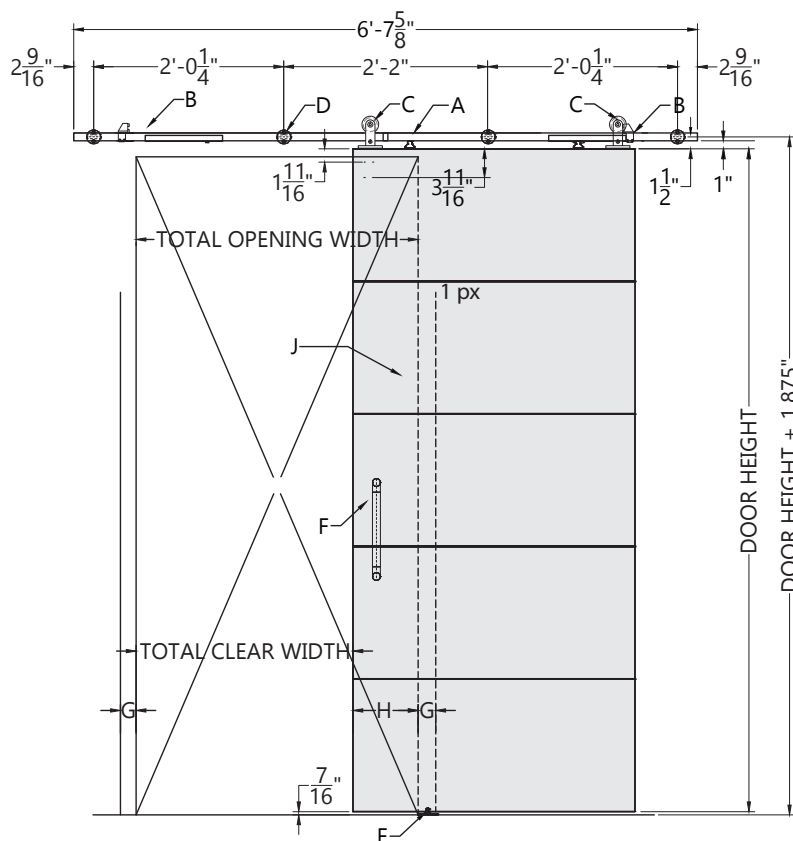


# AC9000-A SERIES BARN DOOR INSTALLATION

## TOOLS REQUIRED



## DIMENSIONS



### KEYNOTES:

- A. Stainless steel track with integrated soft close mechanism
- B. Door stop
- C. Trolley hardware
- D. Track mount hardware
- E. Floor guide
- F. Pull handle
- G. 2" side of door overlap at close position
- H. 4" side of door overlap at open position
- J. Wood door
- K. Wood casing

## Architectural Concepts

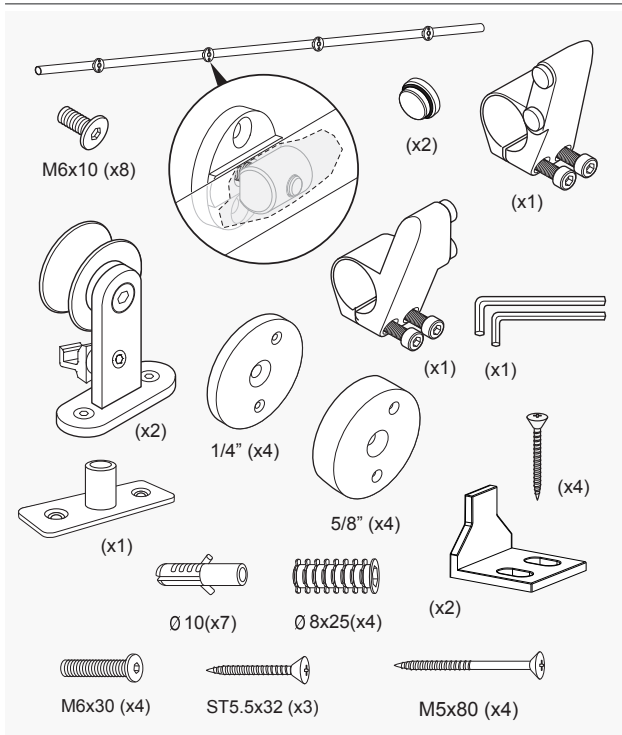
O (888) 248 2724  
 D (720) 259 5358  
 E info@archconceptsllc.com

18505 Longs Way  
 Parker, CO 80134

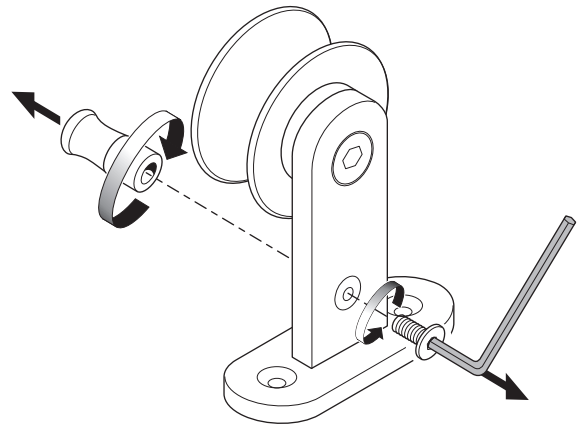
archconceptsllc.com

# AC9000-A Barn Door Installation

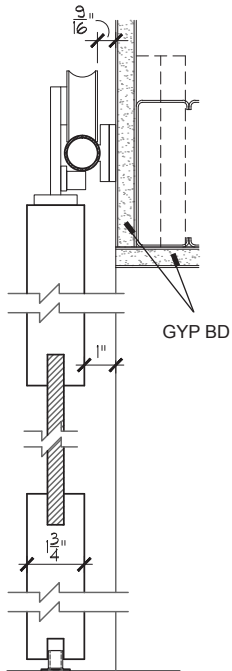
## MATERIALS PROVIDED



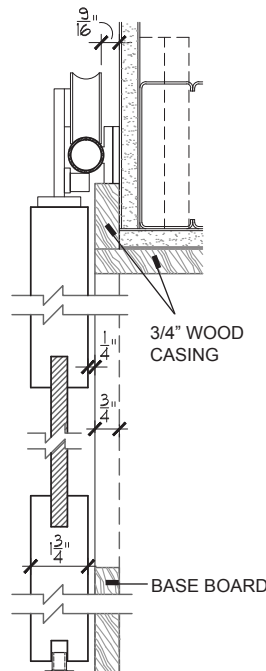
## STEP 1



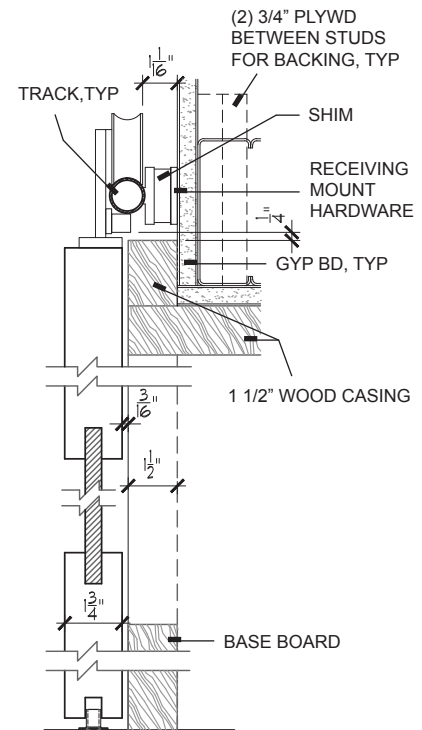
## OPTION 1



## OPTION 2



## OPTION 3



**Architectural Concepts**

(888) 248 2724 | (720) 259 5358 | info@archconceptsllc.com | 18505 Longs Way, Parker, CO 80134 | archconceptsllc.com

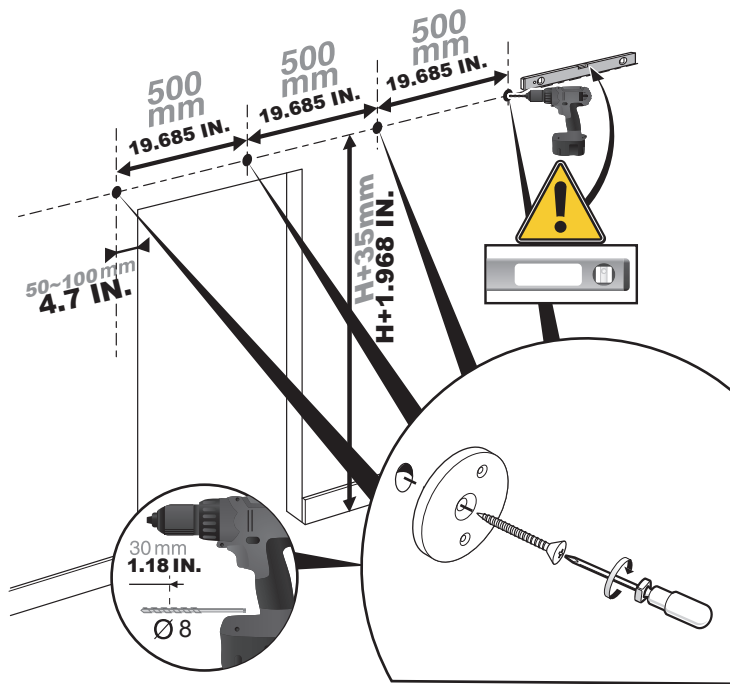
<https://www.archconceptsllc.com/products/hardware/sliding-barn-door/>

Page 2 of 5

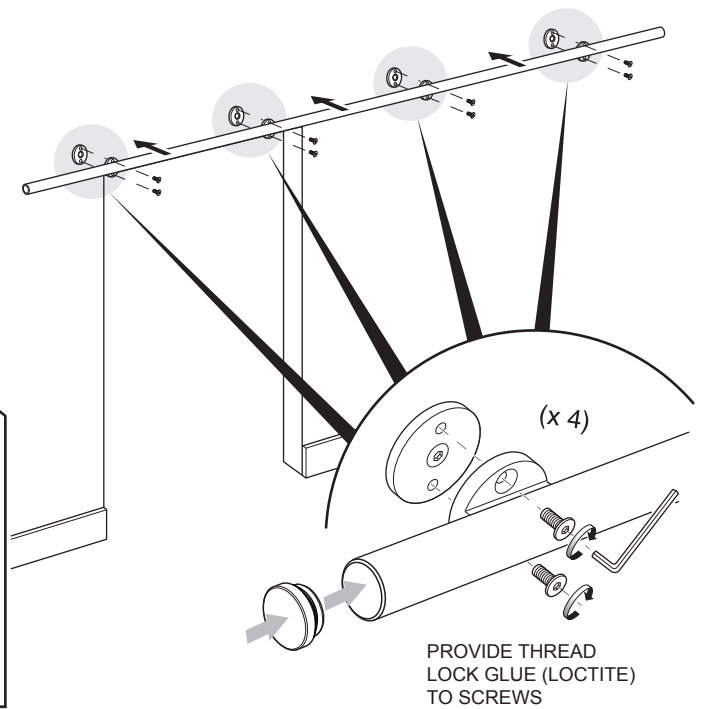
Revised 06-10-22

# AC9000-A Barn Door Installation

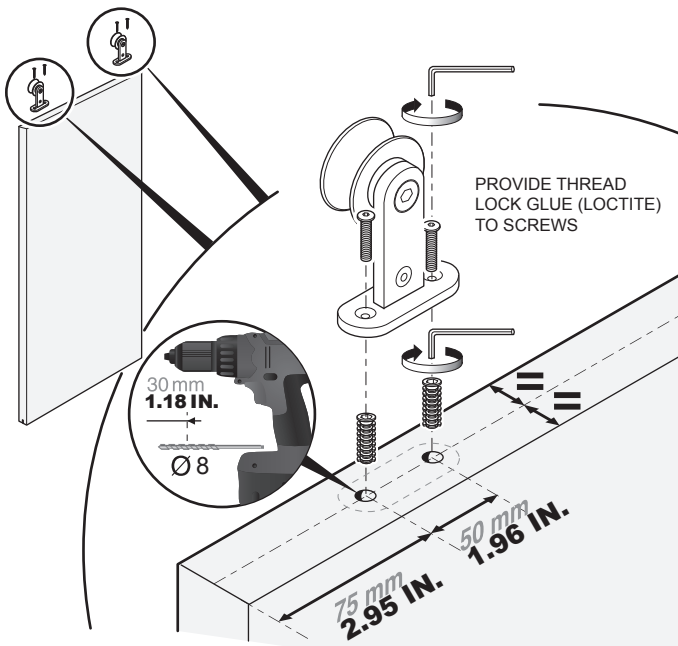
## STEP 2



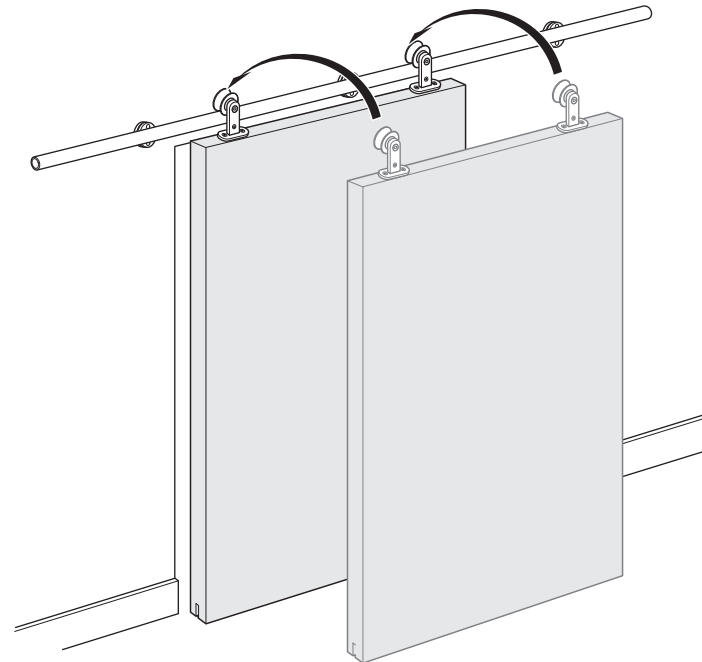
## STEP 3



## STEP 4



## STEP 5



**Architectural Concepts**

(888) 248 2724 | (720) 259 5358 | info@archconceptsllc.com | 18505 Longs Way, Parker, CO 80134 | archconceptsllc.com

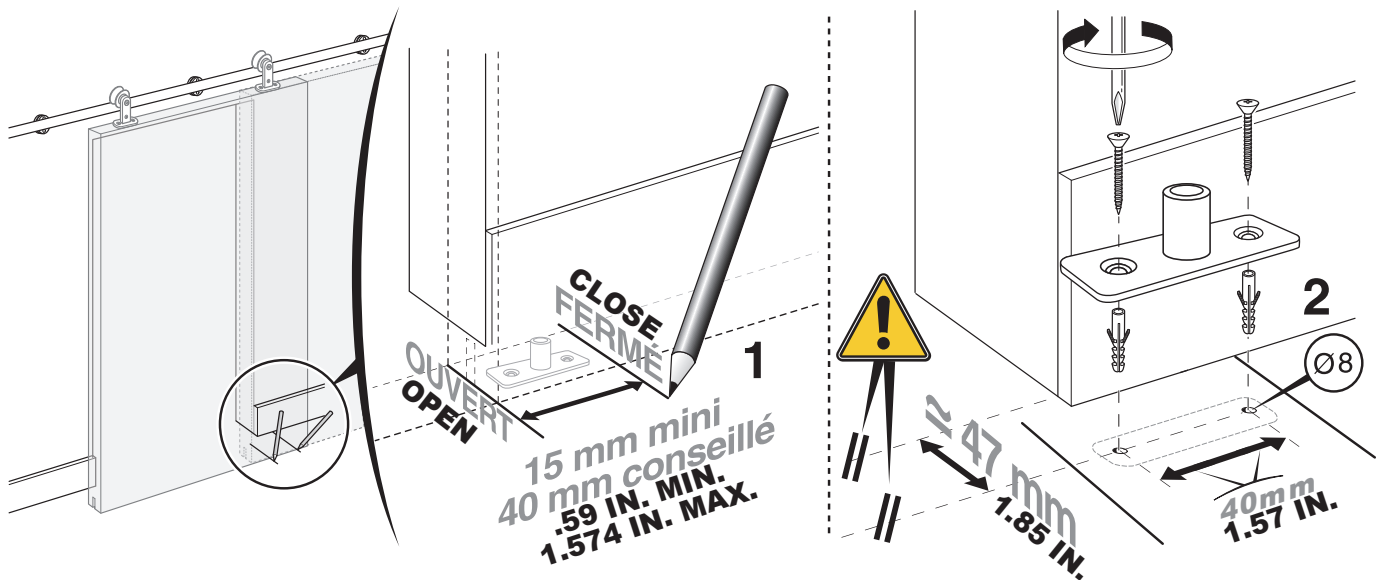
<https://www.archconceptsllc.com/products/hardware/sliding-barn-door/>

Page 3 of 5

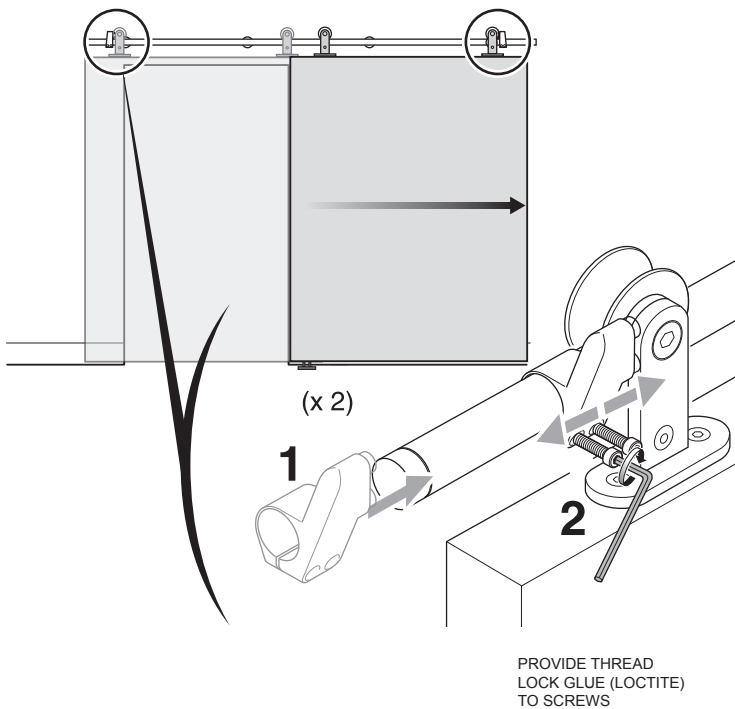
Revised 06-10-22

# AC9000-A Barn Door Installation

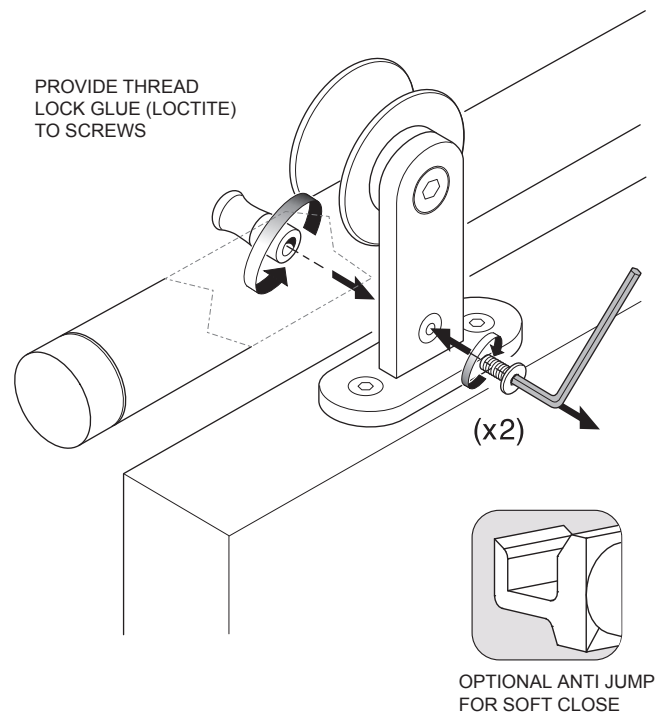
## STEP 6



## STEP 7



## STEP 8



**Architectural Concepts**

(888) 248 2724 | (720) 259 5358 | info@archconceptsllc.com | 18505 Longs Way, Parker, CO 80134 | archconceptsllc.com

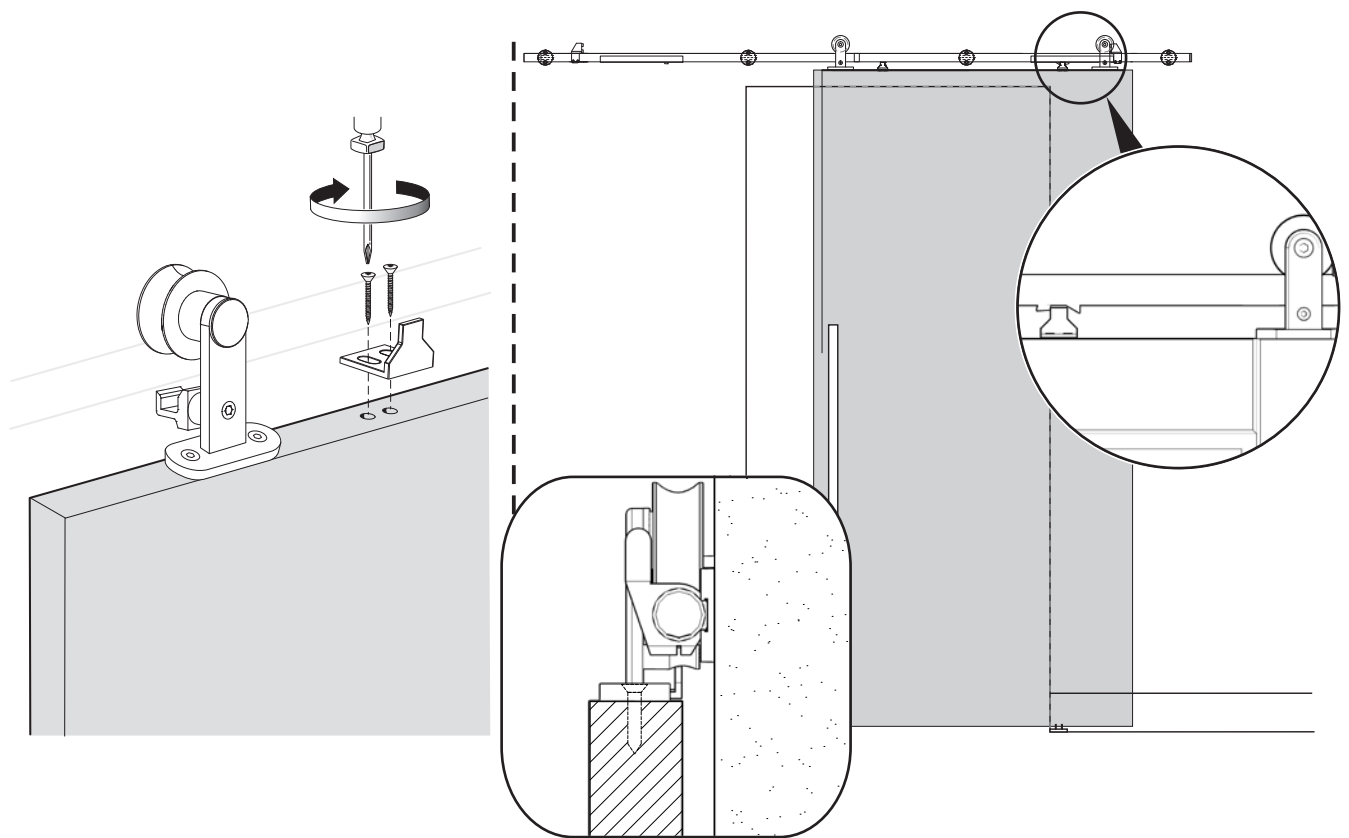
<https://www.archconceptsllc.com/products/hardware/sliding-barn-door/>

Page 4 of 5

Revised 06-10-22

# AC9000-A Barn Door Installation

## STEP 9



**Architectural Concepts**

(888) 248 2724 | (720) 259 5358 | [info@archconceptsllc.com](mailto:info@archconceptsllc.com) | 18505 Longs Way, Parker, CO 80134 | [archconceptsllc.com](http://archconceptsllc.com)

<https://www.archconceptsllc.com/products/hardware/sliding-barn-door/>

Page 5 of 5

Revised 06-10-22