



# AC180

DOOR LEVER



## SPECIFICATIONS

### FINISHES

629 - Polished Stainless  
630 - Satin Stainless

### SERIES

Deconstructive

### MODEL

AC180

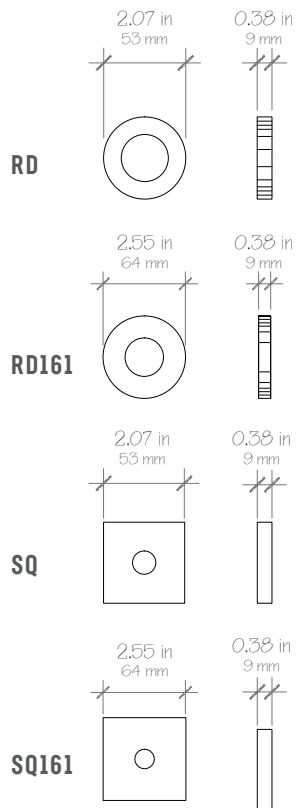
### FUNCTIONS

PA - Passage  
PR - Privacy  
DU - Dummy

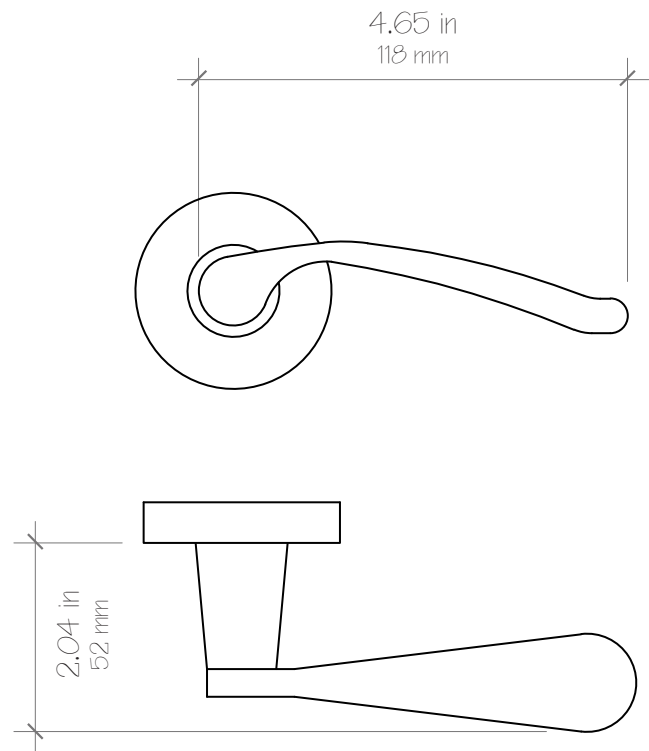
### BACKSETS

2 3/8"  
2 3/4"

## ROSE OPTIONS



## DIMENSIONS



**Architectural  
Concepts**

O. 888.248.2724  
D. 720.259.5364  
E. [info@archconceptsllc.com](mailto:info@archconceptsllc.com)

18499 Longs Way  
Suite 102  
Parker, CO 80134

**NOTE:** If installing on an existing 2-1/8" bore, you will need to use the RD161 or SQ161 to cover the face hole properly.

[archconceptsllc.com](http://archconceptsllc.com)