



ACPA6316

PULL HARDWARE



SPECIFICATIONS

FINISHES

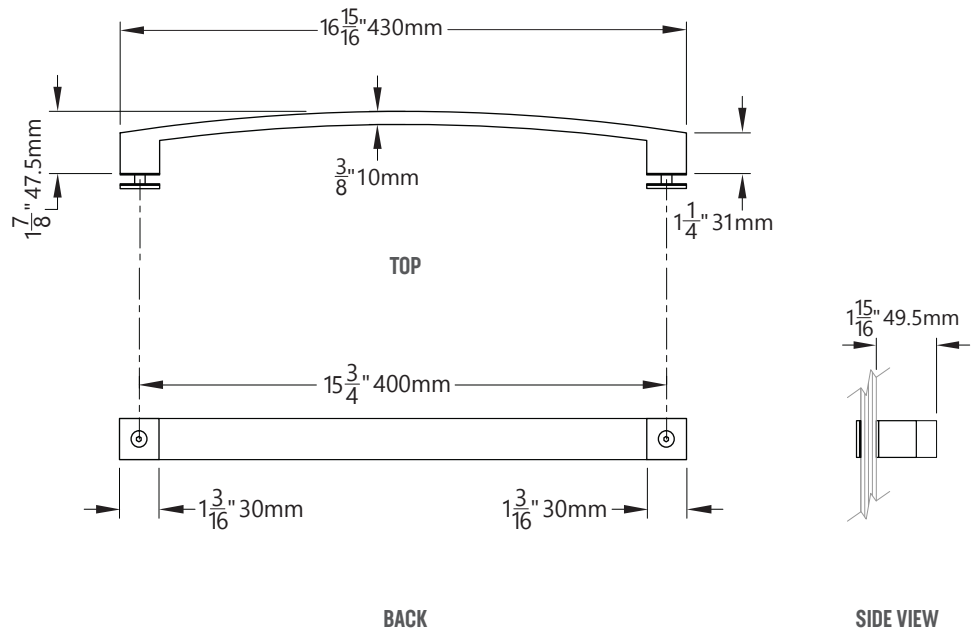
- 625 - Polished Chrome
- 622 - Matte Black
- 630 - Brushed Stainless

Additional finishes available

MODEL

ACPA6316 Towel Bar

DIMENSIONS



**Architectural
Concepts**

O (888) 248 2724
D (720) 259 5358
E info@archconceptsllc.com

18505 Longs Way
Parker, CO 80134

archconceptsllc.com