



# ACMT6326

PULL HARDWARE



## SPECIFICATIONS

### FINISHES

629 - Polished Stainless

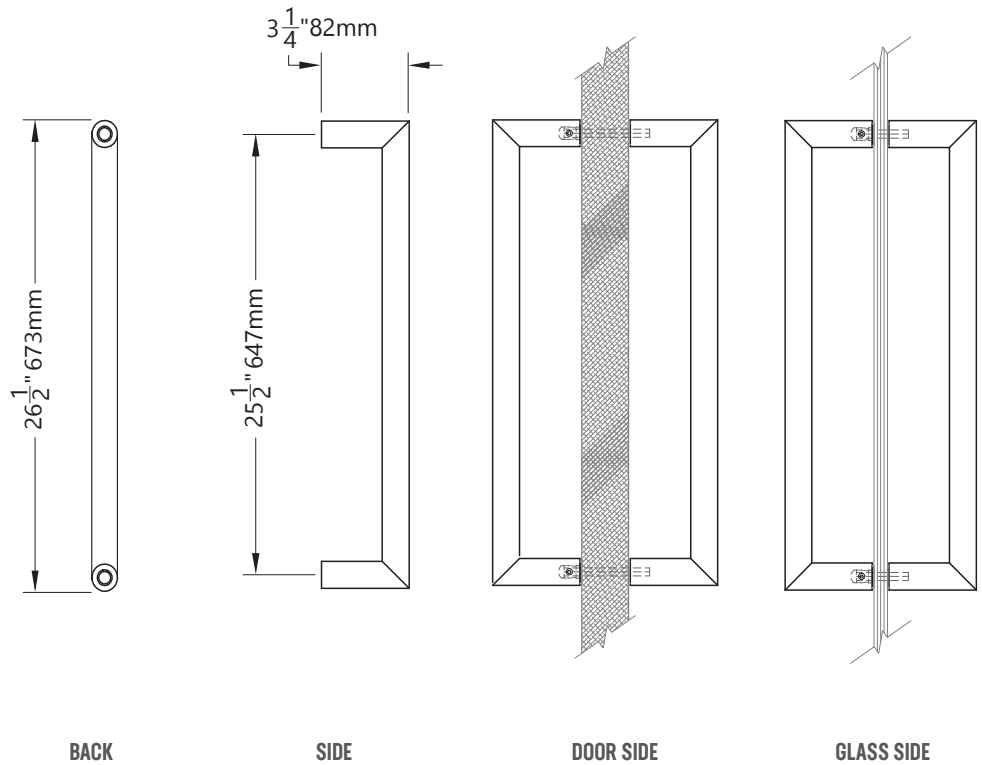
630 - Satin Stainless

Custom colors available upon request

### MODEL

ACMT6326

## DIMENSIONS



**Architectural  
Concepts**

O 888.248.2724  
D 720.259.5358  
E [info@archconceptsllc.com](mailto:info@archconceptsllc.com)

18505 Longs Way  
Parker, CO 80134

[archconceptsllc.com](http://archconceptsllc.com)