



# ACMT6316

PULL HARDWARE



## SPECIFICATIONS

### FINISHES

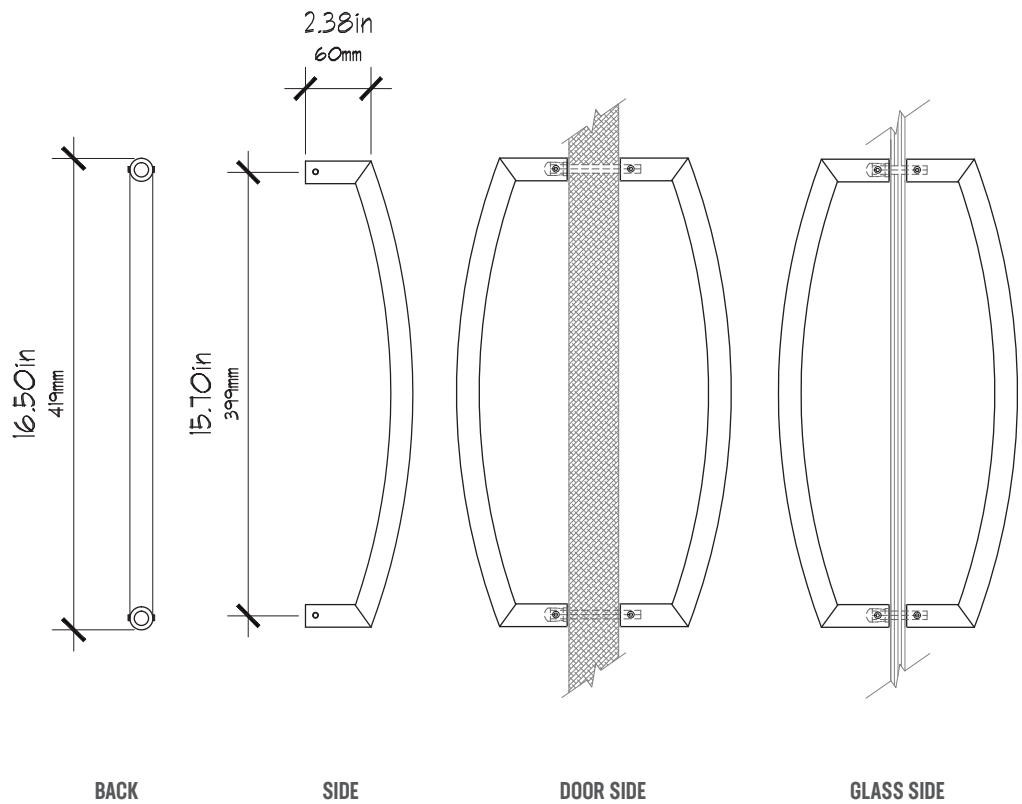
629 - Polished Stainless  
630 - Satin Stainless

Custom colors available upon request

### MODEL

ACMT6316

## DIMENSIONS



**Architectural  
Concepts**

O. 888.248.2724  
D. 720.259.5358  
E. [info@archconceptsllc.com](mailto:info@archconceptsllc.com)

18499 Longs Way  
Suite 102  
Parker, CO 80134

[archconceptsllc.com](http://archconceptsllc.com)