



AC9000 Series

Barn Door Hardware

Description

Stainless Steel sliding barn door system available with "Dual Soft Closer" as well as track and hardware. Handing to be verified by GC or Architectural Concepts. Door to be at least 2" wider than finished opening to properly overlap each side for privacy. Door to be specified by designer. Max door weight:220 lbs.

Hanger Options and Door Stop (Included with AC9000 Series)



Model: **AC9000-A**
Description: Top Mounted Trolley
Finish: Stainless Steel



Model: **AC9000-B**
Description: Face Mounted Trolley
Finish: Stainless Steel



Model: **AC9000-C**
Description: Face Mounted Trolley
Finish: Stainless Steel



Model: **AC12SS**
Description: Floor Mounted
Finish: Stainless Steel



Model: **AC130W**
Description: Wall Mounted
Finish: Black Plastic & Alum. Bracket



Concealed Floor Guides



Model: **AC12SS**
Description: Floor Mounted
Finish: Stainless Steel



Model: **AC130W**
Description: Wall Mounted
Finish: Black Plastic & Alum. Bracket

Optional Pull (Not included in AC9000 Series)



Model: AC5324



Model: AC4251



Model: ACMA6318



Model: ACMO6312

Architectural Concepts

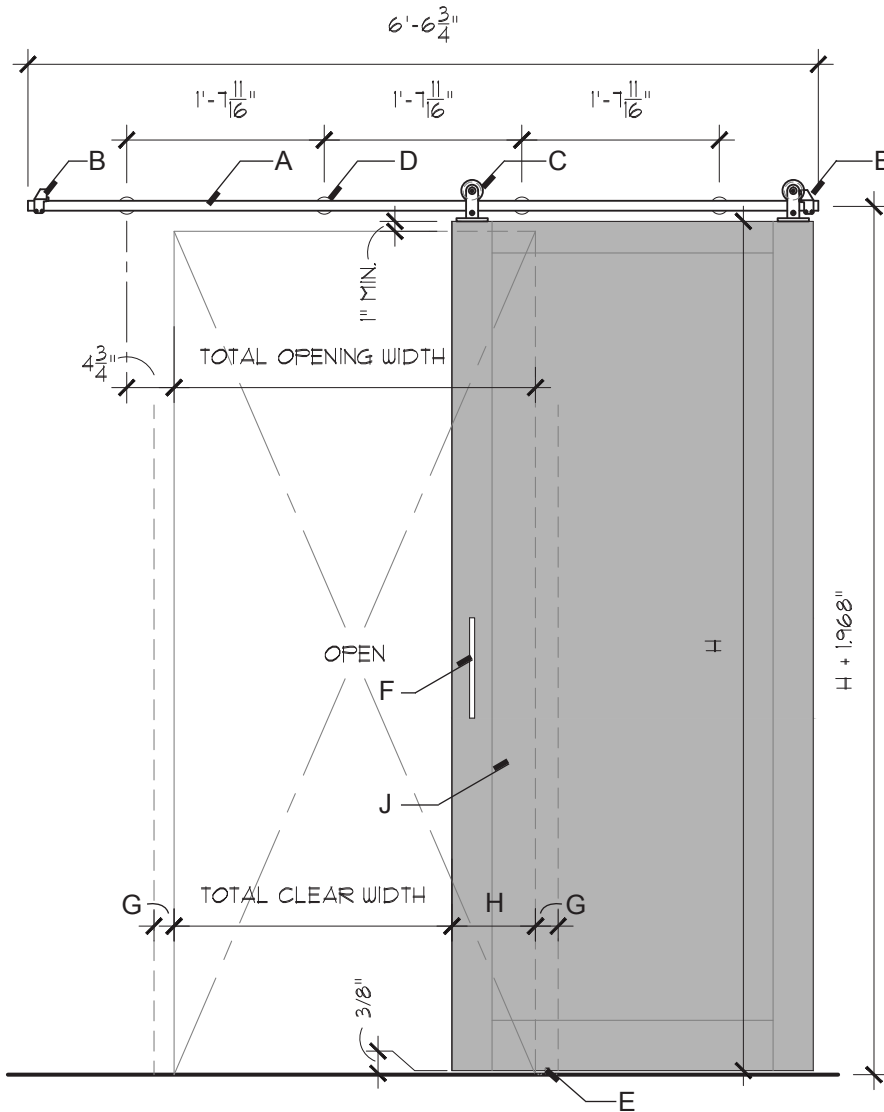
888.248.2724
720.259.5364
scolby@archconceptsllc.com

18499 Longs Way, Suite 102
Parker, CO 80134

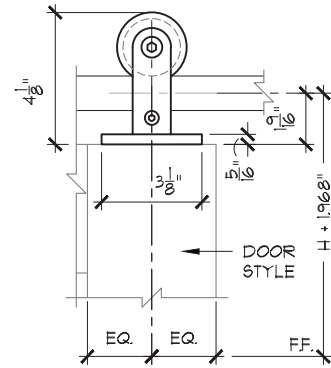
archconceptsllc.com

AC9000-A

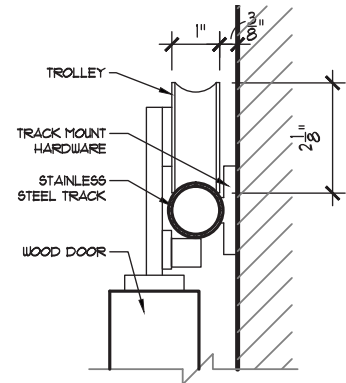
Face Mounted Trolley



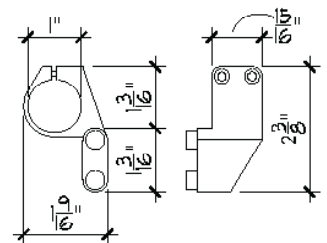
Elevation



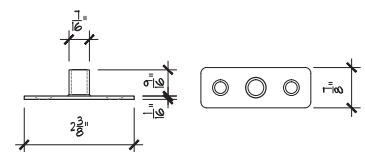
Hanger



Door Stop



Floor Mount



KEYNOTES:

- A. Stainless steel track
- B. Door stop
- C. Trolley hardware
- D. Track mount hardware
- E. Floor guide
- F. Pull handle
- G. 2" side of door overlap at closed position
- H. 4" side of door overlap at open position
- I. Wood door

- J. (2) 3/4" plywood between studs for backing
- K. 3/4" wood casing
- L. 1 1/2" wood casing

NOTES:

1. All measurements must be field verified by Architectural Concepts or by G.C.
2. Please follow care and handling instructions for doors and hardware.
3. AC will submit drawings for approval before ordering any material.
4. Layout and configuration can be customized to customer's need.



Architectural Concepts

888.248.2724 | 720.259.5364 | info@archconceptsllc.com | 18499 Longs Way, Suite 102, Parker, CO 80134 | archconceptsllc.com

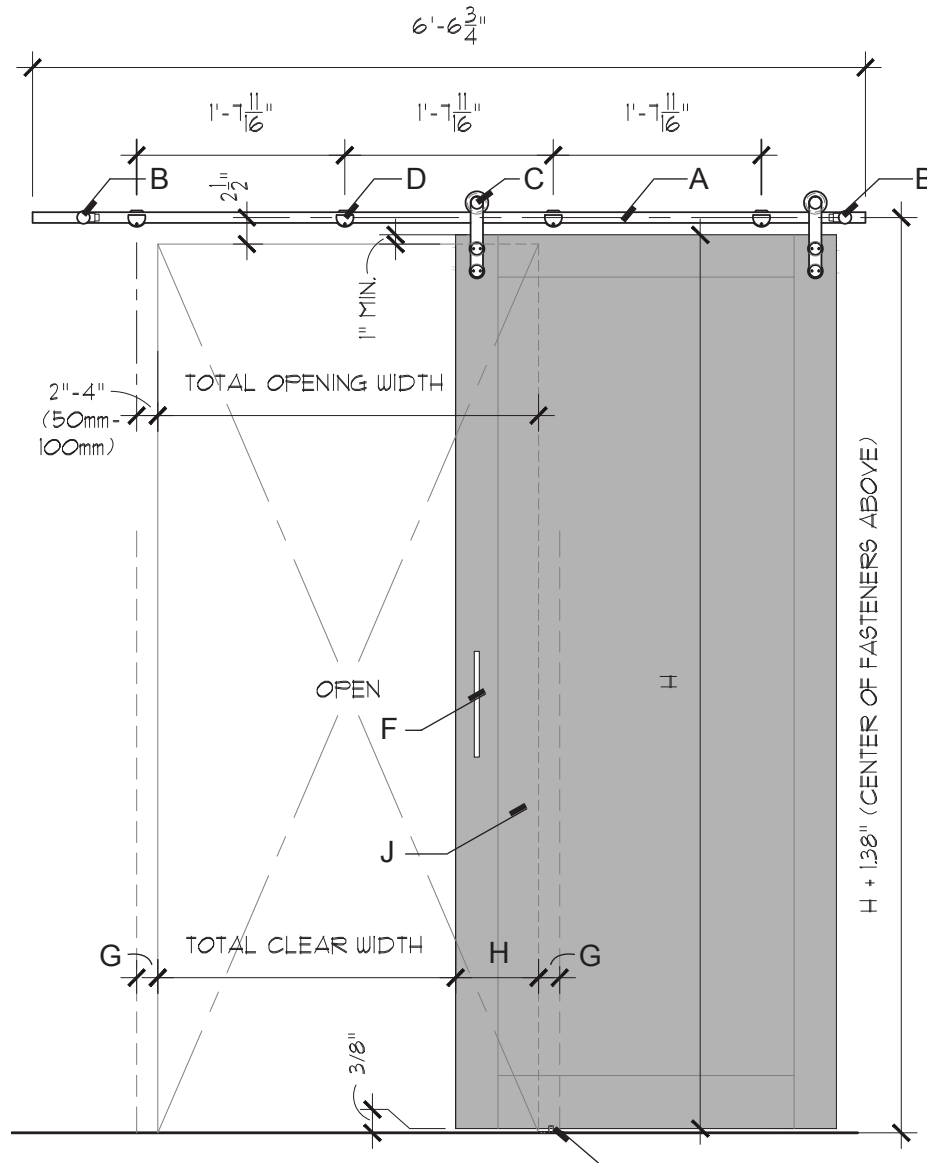
https://dev.archconceptsllc.com/products/doors/hardware/sliding-barn-door/

Page 2 of 4

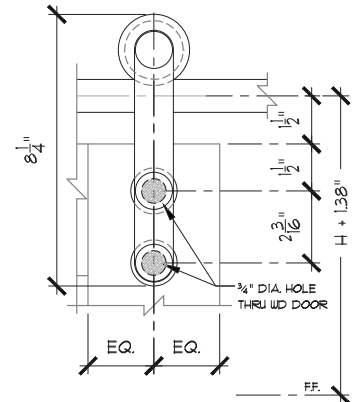
Revised 09-27-18

AC9000-B

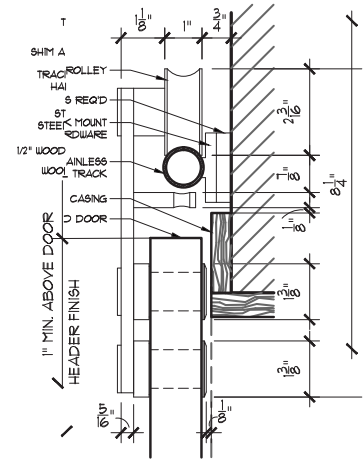
Face Mounted Trolley



Elevation

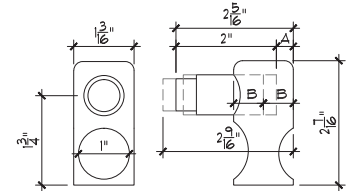


Hanger

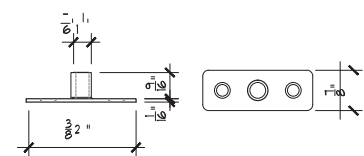


Door Stop

- A- 5/16" (FULL TIGHTEN POSITION)
- B- 9/16" (EQUAL DISTANCE)



Floor Mount



KEYNOTES:

- A. Stainless steel track
- B. Door stop
- C. Trolley hardware
- D. Track mount hardware
- E. Floor guide
- F. Pull handle
- G. 2" side of door overlap at closed position
- H. 4" side of door overlap at open position
- I. Wood door

NOTES:

1. All measurements must be field verified by Architectural Concepts or by G.C.
2. Please follow care and handling instructions for doors and hardware.
3. AC will submit drawings for approval before ordering any material.
4. Layout and configuration can be customized to customer's need.

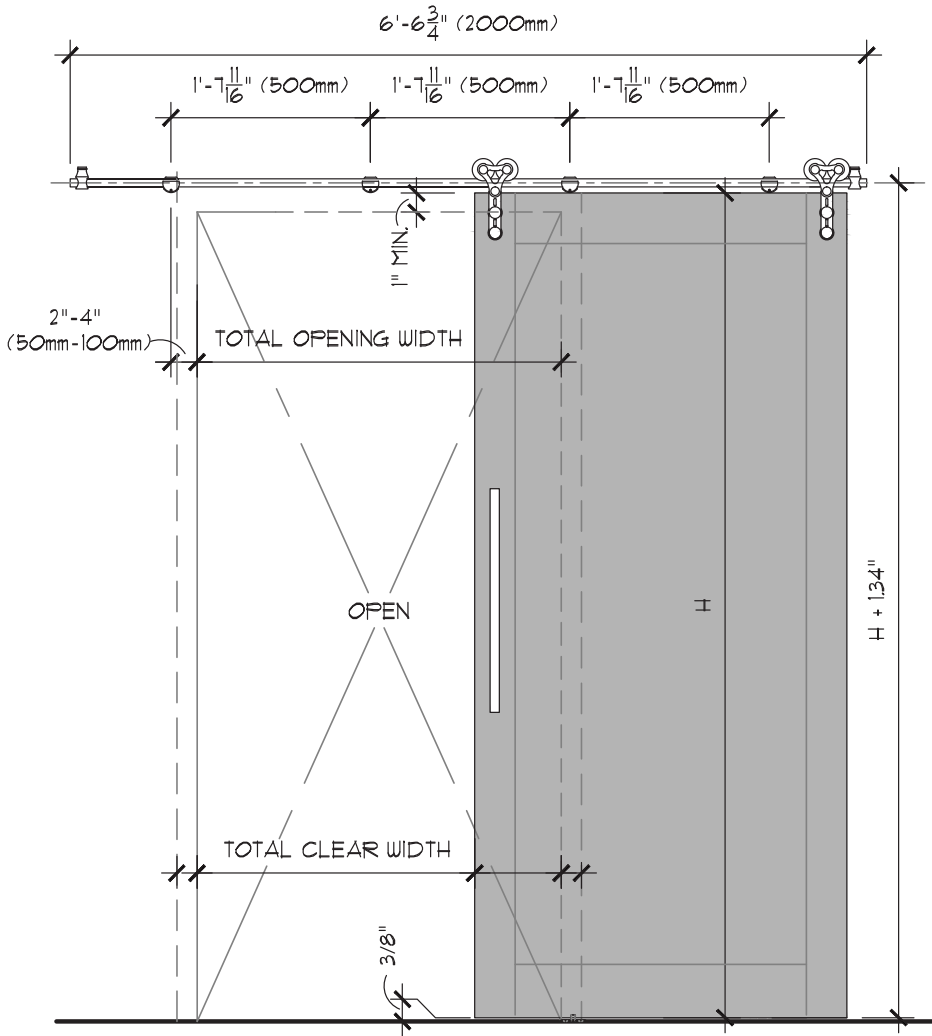


Architectural Concepts

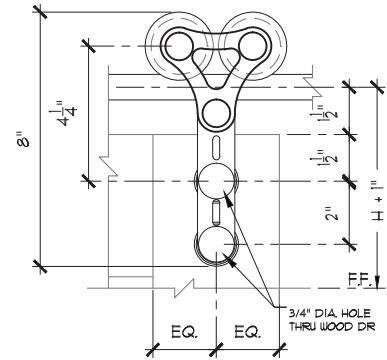
888.248.2724 | 720.259.5364 | info@archconceptsllc.com | 18499 Longs Way, Suite 102, Parker, CO 80134 | archconceptsllc.com

AC9000-C

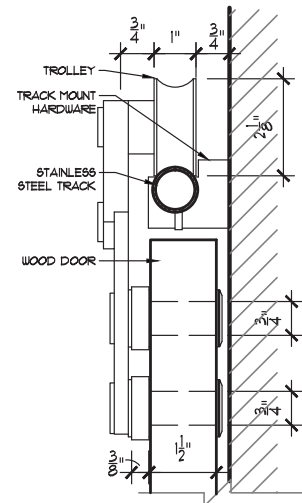
Face Mounted Trolley



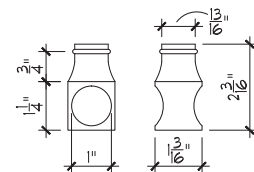
Elevation



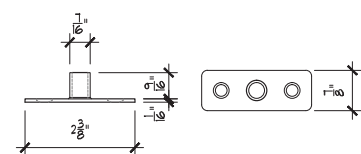
Hanger



Door Stop



Floor Mount



KEYNOTES:

- A. Stainless steel track
- B. Door stop
- C. Trolley hardware
- D. Track mount hardware
- E. Floor guide
- F. Pull handle
- G. 2" side of door overlap at closed position
- H. 4" side of door overlap at open position
- I. Wood door

NOTES:

1. All measurements must be field verified by Architectural Concepts or by G.C.
2. Please follow care and handling instructions for doors and hardware.
3. AC will submit drawings for approval before ordering any material.
4. Layout and configuration can be customized to customer's need.



Architectural Concepts

888.248.2724 | 720.259.5364 | info@archconceptsllc.com | 18499 Longs Way, Suite 102, Parker, CO 80134 | archconceptsllc.com

https://dev.archconceptsllc.com/products/doors/hardware/sliding-barn-door/

Page 4 of 4 Revised 09-27-18