



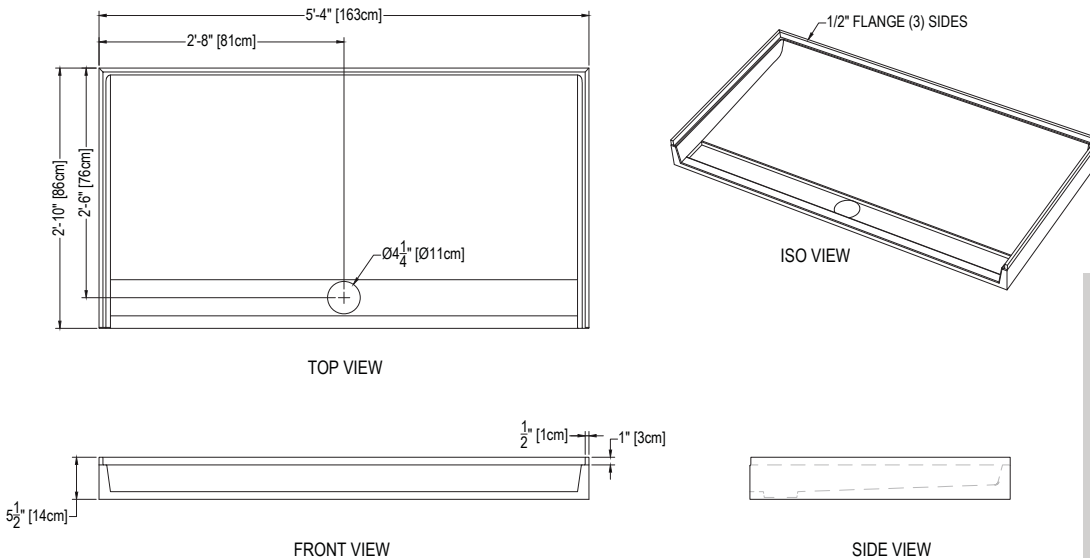
34X64 ADA BARRIER FREE - TRENCH DRAIN

Cultured Marble Shower Pan

- PRODUCT:** Shower Pan
SERIES: Trench Drain
MODEL: 34 x 64 ADA Barrier-Free
APPLICATION: Shower Base
DIMENSIONS: 34" (86cm) Deep x 64" (163cm) Long x 5.5" (14cm) Tall
Drain Centered at 30" (81cm)
COLOR: See Color Options Sheet
FINISH: Matte or Gloss
MATERIAL: Solid One-Piece Cultured Marble
INSTALLATION: Refer to Installation Guide
ATTRIBUTES: Permanently Sealed Surface
Textured Non-slip Finish
Mold, Mildew and Bacteria Resistance
Abrasion Resistant
Stainless Steel Trench Drain Cover
Easy Install
Easy Maintenance
ASTM F 462 & CSA B45.5-11 IAPMO Z124-11 compliant



DIMENSIONS:



Architectural Concepts

888.248.2724
720.259.5364
info@archconceptsllc.com

18499 Longs Way, Suite 102
Parker, CO 80134

archconceptsllc.com