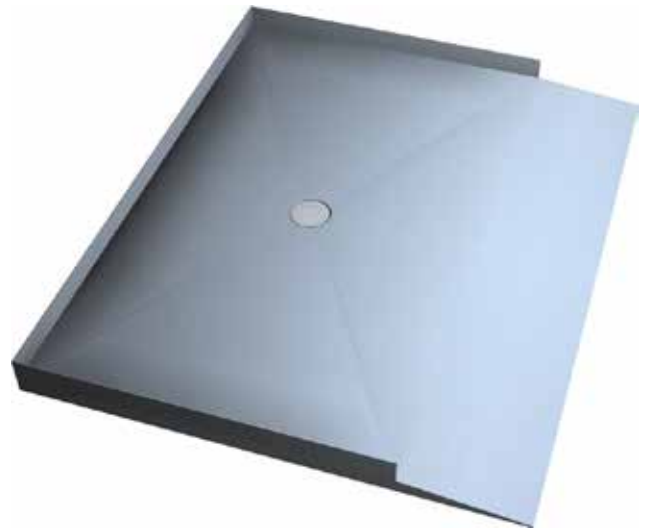




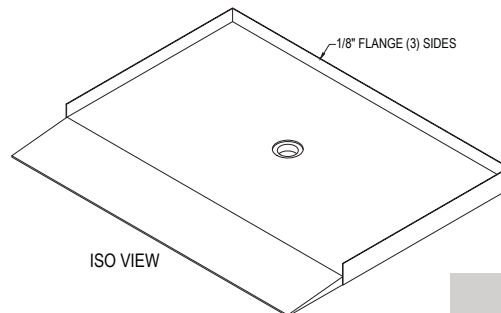
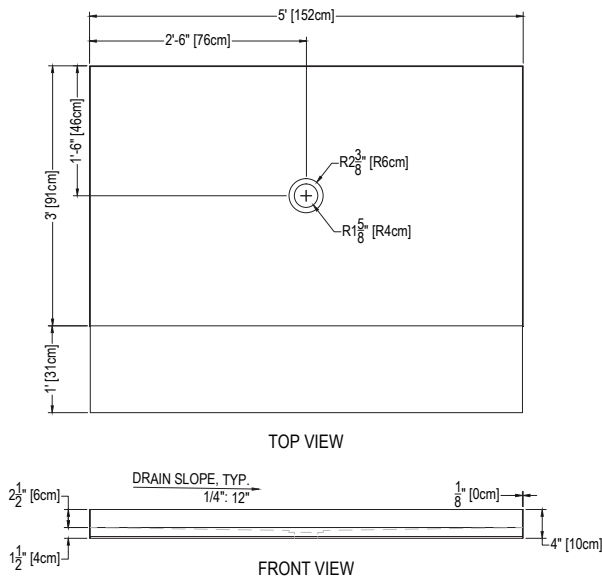
# 36X60 ADA - CENTER DRAIN

## Cultured Marble Shower Pan

- PRODUCT:** Shower Pan
- SERIES:** Center Drain
- MODEL:** 36 x 60 ADA Center Drain
- APPLICATION:** Shower Base
- DIMENSIONS:** 36" (91cm) Deep x 60" (152cm) Long x 4" (10cm) Tall  
Drain Centered at 18" (46cm)
- COLOR:** See Color Options Sheet
- FINISH:** Matte or Gloss
- MATERIAL:** Solid One-Piece Cultured Marble
- INSTALLATION:** Refer to Installation Guide
- ATTRIBUTES:** Permanently Sealed Surface  
Textured Non-slip Finish  
Mold, Mildew and Bacteria Resistance  
Abrasion Resistant  
Stainless Steel Trench Drain Cover  
Easy Install  
Easy Maintenance  
ASTM F 462 & CSA B45.5-11 IAPMO Z124-11 compliant



### DIMENSIONS:



## Architectural Concepts

888.248.2724  
720.259.5364  
info@archconceptsllc.com

18499 Longs Way, Suite 102  
Parker, CO 80134

[archconceptsllc.com](https://archconceptsllc.com)