



ARCHITECTURAL
concepts

34x60 BARRIER-FREE- TRENCH DRAIN

CULTURED MARBLE SHOWER BASE

SPECIFICATIONS



PRODUCT: SHOWER PAN

SERIES: TRENCH DRAIN

MODEL: 34X64 BARRIER-FREE

APPLICATION: SHOWER BASE

DIMENSIONS: 34" (86cm) DEEP X 60" (152cm) LONG X 5.5" (14cm) TALL

- DRAIN CENTERED AT 30" (76cm)

COLOR: WHITE

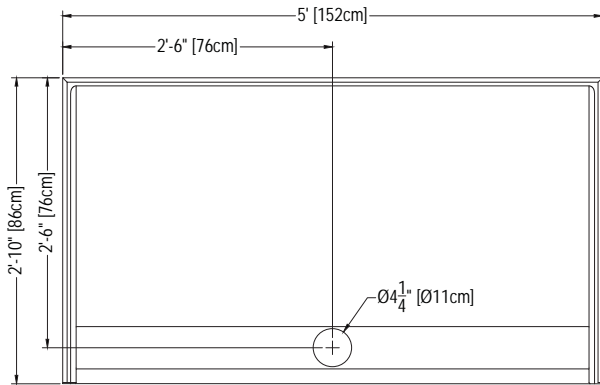
FINISH: MATTE

MATERIAL: SOLID ONE-PIECE CULTURED MARBLE

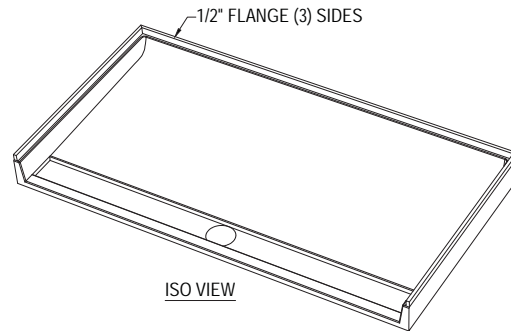
INSTALLATION: REFER TO INSTALLATION GUIDE

ATTRIBUTES:

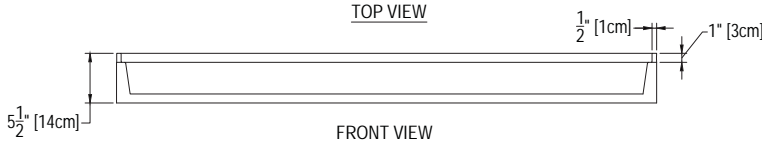
- PERMANENTLY SEALED SURFACE
- MOLD, MILDEW AND BACTERIA RESISTANCE
- TEXTURED NON-SLIP FINSH
- ABRASION RESISTANT
- STAINLESS STEEL TRENCH DRAIN COVER
- EASY INSTALL
- EASY MAINTENANCE



TOP VIEW



ISO VIEW



FRONT VIEW



SIDE VIEW

34 X 64 - DIMENSIONS

