



ARCHITECTURAL  
concepts

# 32x60 RENOVATION - REVERSIBLE TRENCH DRAIN CULTURED MARBLE SHOWER BASE

## SPECIFICATIONS



**PRODUCT:** SHOWER PAN

**SERIES:** TRENCH DRAIN

**MODEL:** AC-TDOS3260REN0T3

**APPLICATION:** SHOWER BASE

**DIMENSIONS:** 32" (81cm) DEEP X 59.75" (152cm) LONG X 4" (10cm) TALL

- DRAIN CENTERED AT 14-3/8" (36cm)
- TRENCH WIDTH 4.5" (11.4cm)
- THRESHOLD WIDTH 3" (8cm) & 1.5" (4cm)

**COLOR:** WHITE

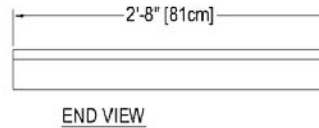
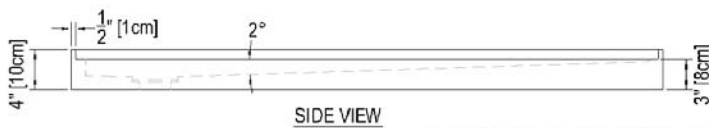
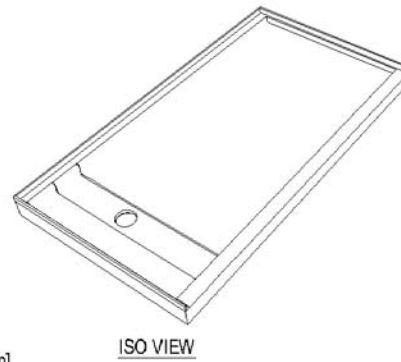
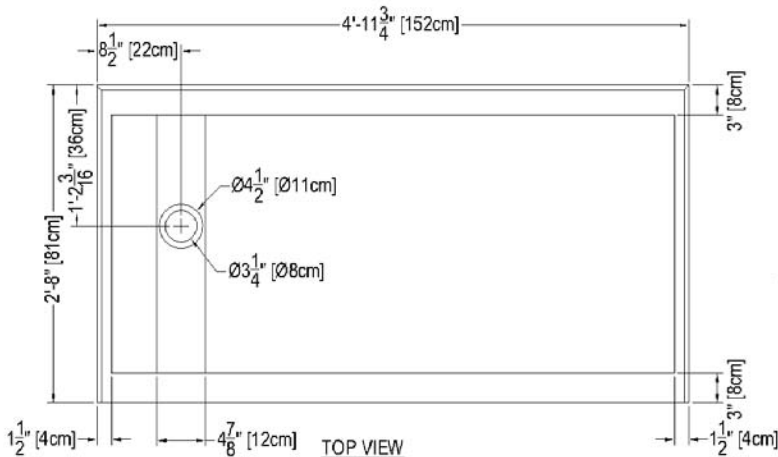
**FINISH:** MATTE

**MATERIAL:** SOLID ONE-PIECE CULTURED MARBLE

**INSTALLATION:** REFER TO INSTALLATION GUIDE

**ATTRIBUTES:**

- PERMANENTLY SEALED SURFACE
- MOLD, MILDEW AND BACTERIA RESISTANCE
- TEXTURED NON-SLIP FINISH
- ABRASION RESISTANT
- STAINLESS STEEL TRENCH DRAIN COVER
- EASY INSTALL
- EASY MAINTENANCE



\*NOTE: PAN DIMENSIONS VARY ±1/8"

**32 X 60 DIMENSIONS**

