

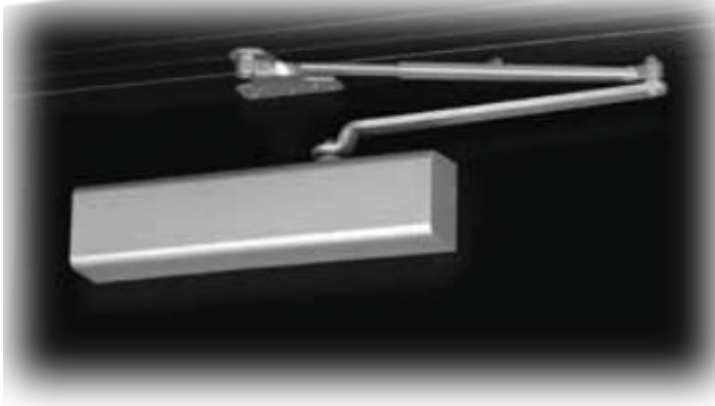


ARCHITECTURAL  
concepts

# DOOR CLOSER

## DOOR HARDWARE

### SPECIFICATIONS



**PRODUCT:** DOOR CLOSER

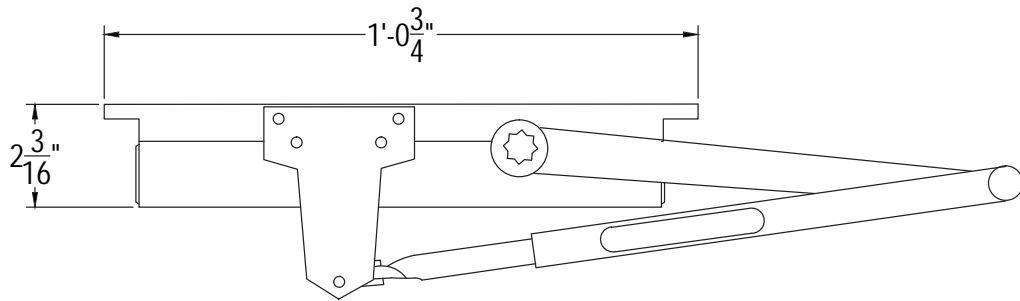
**MODEL:** YALE 2701-PA 689

**DIMENSIONS:** 1'-8" WIDE X 4" TALL X 4" DEEP

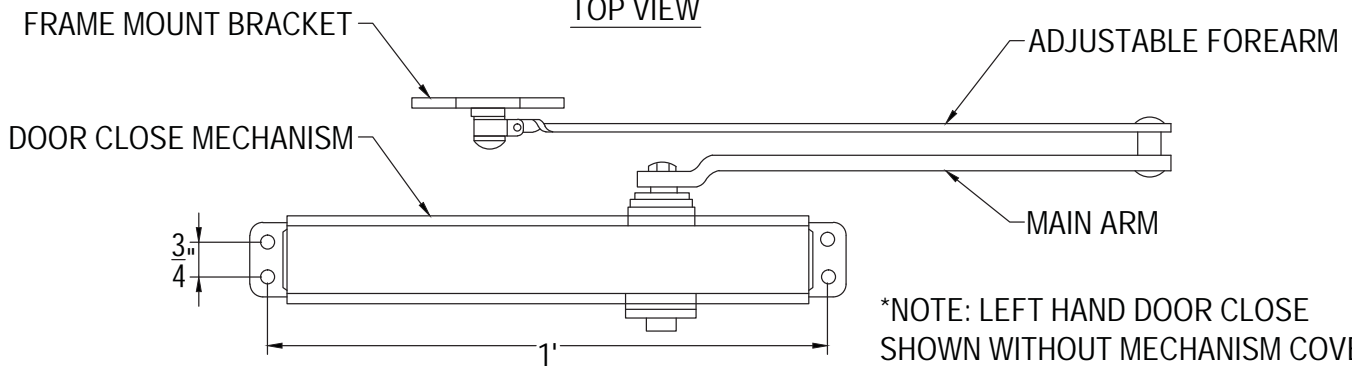
**COLOR/FINISH:** ALUMINUM PAINTED

**ATTRIBUTES:**

- IN CLOSE POSITION NO HARDWARE PROJECT BEYOND THE FRAME FACE
- ANSI/BHMA A156.4 GRADE 1 CERTIFIED
- UL AND cUL LISTED. COMPLIANT TO UL10C
- MEETS REQUIREMENTS FOR ADA AND ANSI/BHMA A117.1
- EASY TO INSTALL



TOP VIEW



FRONT VIEW

DIMENSIONS

\*NOTE: LEFT HAND DOOR CLOSE SHOWN WITHOUT MECHANISM COVER

