



ARCHITECTURAL
concepts

DOOR NIGHT PADDEL LOCK

DOOR HARDWARE

SPECIFICATIONS



PRODUCT: DOOR NIGHT PADDEL LOCK

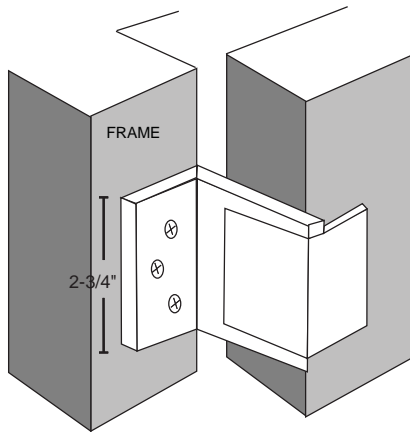
MODEL: NGP SDG26

DIMENSIONS: 1-1/2" WIDE X 2-3/4" TALL X 2-3/16" DEEP

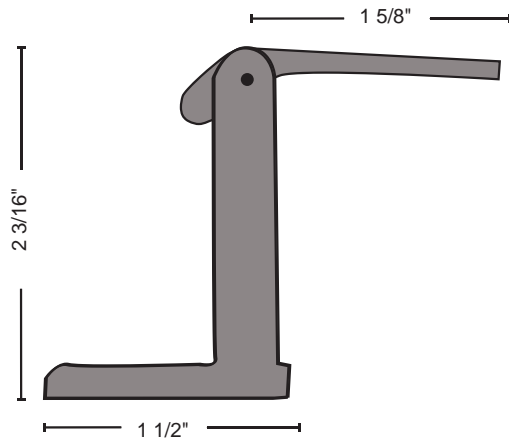
COLOR/FINISH: SATIN CROME US26D

ATTRIBUTES:

- PREVENTS DOOR FROM OPENING, ALLOWING GUEST OR RESIDENT PRIVACY WHEN ENGAGED
- DISENGAGE TO OPERATE DOOR NORMALLY
- CAN NOT BE USED TO PROP DOOR OPEN
- UL LISTED FIRE DOOR ACCESSORY
- MOUNT 48" OR LESS ABOVE FLOOR FOR ADA COMPLIANCE



INSTALL REFERENCE



DIMENSIONS

