



ARCHITECTURAL
concepts

4-1/2"x4" - DOOR HINGE

DOOR HINGE

SPECIFICATIONS



PRODUCT: DOOR HINGE

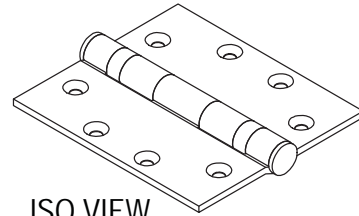
MODEL: McKinney MPB79

DIMENSIONS: 4" WIDE X 4.5" TALL X .134" THICK

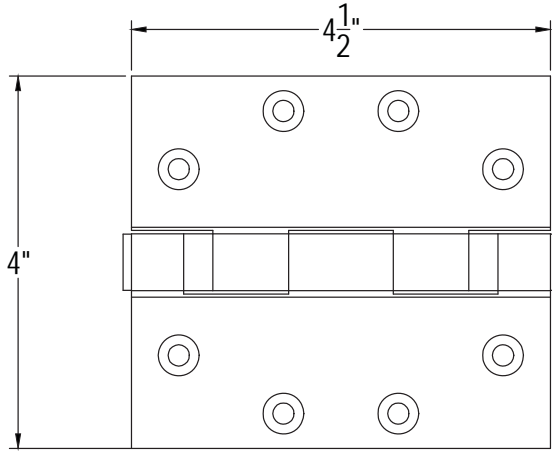
COLOR/FINISH: STEEL

ATTRIBUTES:

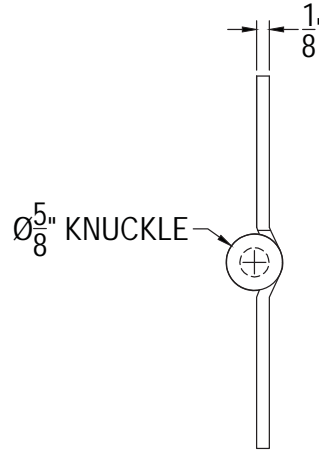
- FOR DOORS WITH CLOSING DEVICE
- CONFORM TO ANSI/BHMA 156.1, 156.7 STANDARDS
- EASY TO INSTALL



ISO VIEW



FRONT VIEW



TOP VIEW

DIMENSIONS



PAGE 1 OF 1
REVISED 2018-05-07