

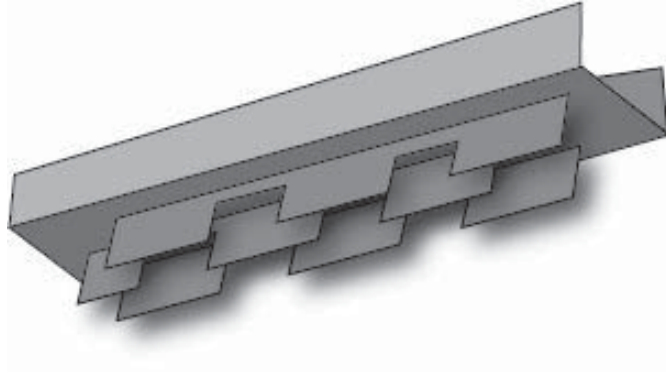


ARCHITECTURAL
concepts

DOOR BOTTOM GASKET

DOOR HARDWARE

SPECIFICATIONS



PRODUCT: DOOR BOTTOM GASKET

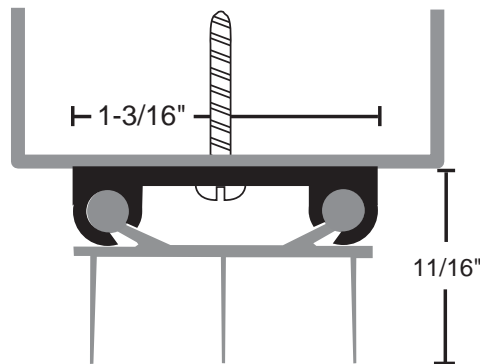
MODEL: NGP 12TNF

DIMENSIONS: 36" WIDE X 11/16" TALL X 1-3/16" DEEP

COLOR/FINISH: MILLED ALUMINUM T12

ATTRIBUTES:

- FLAME RESISTANT
- MOISTURE RESISTANT
- TEMPERATURE RANGE 0 F TO 140 F



DIMENSIONS



PAGE 1 OF 1
REVISED 2018-05-08