



ARCHITECTURAL
concepts

34x60 ADA - CENTER DRAIN

CULTURED MARBLE SHOWER BASE

SPECIFICATIONS



PRODUCT: SHOWER PAN

SERIES: CENTER DRAIN

MODEL: 34X60 ADA CENTER DRAIN

APPLICATION: SHOWER BASE

DIMENSIONS: 34" (86cm) DEEP X 60" (152cm) LONG X 4" (10cm) TALL

- DRAIN CENTERED AT 17" (43cm)

COLOR: WHITE

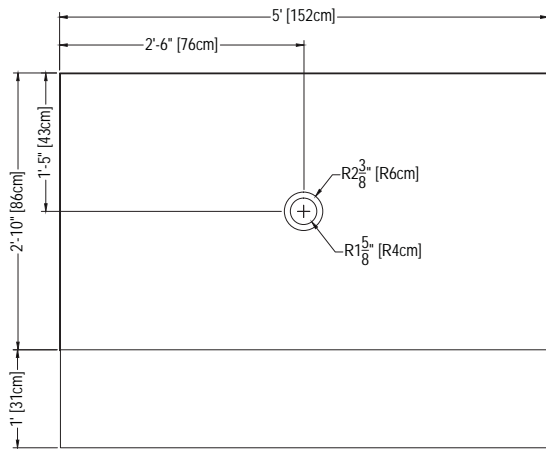
FINISH: MATTE

MATERIAL: SOLID ONE-PIECE CULTURED MARBLE

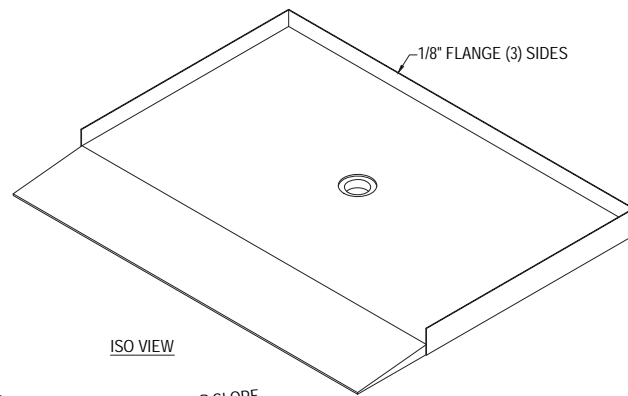
INSTALLATION: REFER TO INSTALLATION GUIDE

ATTRIBUTES:

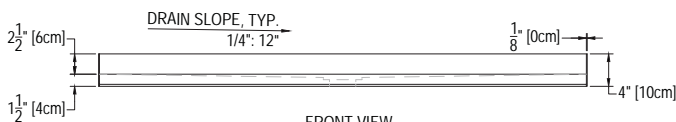
- PERMANENTLY SEALED SURFACE
- MOLD, MILDEW AND BACTERIA RESISTANCE
- TEXTURED NON-SLIP FINISH
- ABRASION RESISTANT
- STAINLESS STEEL TRENCH DRAIN COVER
- EASY INSTALL
- EASY MAINTENANCE



TOP VIEW



ISO VIEW



FRONT VIEW



SIDE VIEW

34 X 60 ADA - DIMENSIONS



EMBASSY
SUITES

PAGE 1 OF 1
REVISED 2018-04-24