



ARCHITECTURAL
concepts

BARN DOOR SERIES AC9000A



TABLE OF CONTENTS

- Page 2 - AC9000A Standard room layout and elevations
- Page 3 - AC9000A ADA room layout and elevations
- Page 4 - AC9000A Hardware details and barn door details
- Page 5 - Hardware Overview
- Page 6 - Soft Close and track detail
- Page 7 - Door prep and floor guide details
- Page 8 - Pull Hardware AC5310
- Page 9 - Pull Hardware AC4251



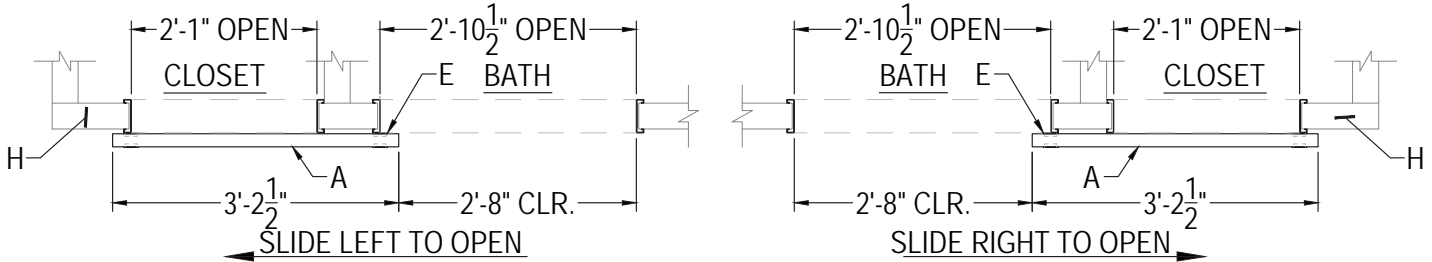


ARCHITECTURAL
concepts

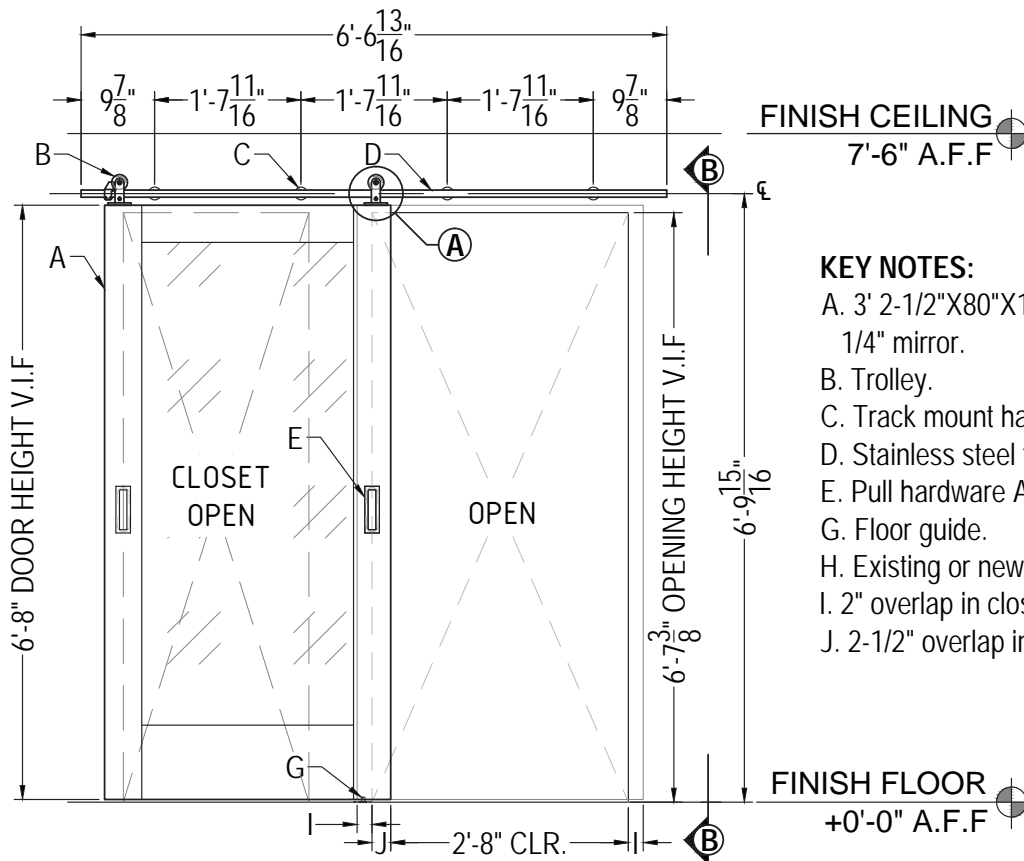
BARN DOOR SERIES AC9000A



HANGER | Model #: AC-9000-A: STANDARD GUESTROOM SLIDING DOOR



PLAN VIEW



KEY NOTES:

- A. 3' 2-1/2"X80"X1-3/4" - Barn door with 1/4" mirror.
- B. Trolley.
- C. Track mount hardware.
- D. Stainless steel track.
- E. Pull hardware AC4251 Standard Room
- G. Floor guide.
- H. Existing or new wall.
- I. 2" overlap in closed position both sides.
- J. 2-1/2" overlap in open position.

ELEVATION

NOTES:

1. All measurements to be field verified by Architectural Concepts or by G.C.
2. Please follow care and handling instructions for doors and hardware.
3. AC will submit drawings for approval before ordering any material
4. Layout and configuration can be customized to exceed customer requirements.

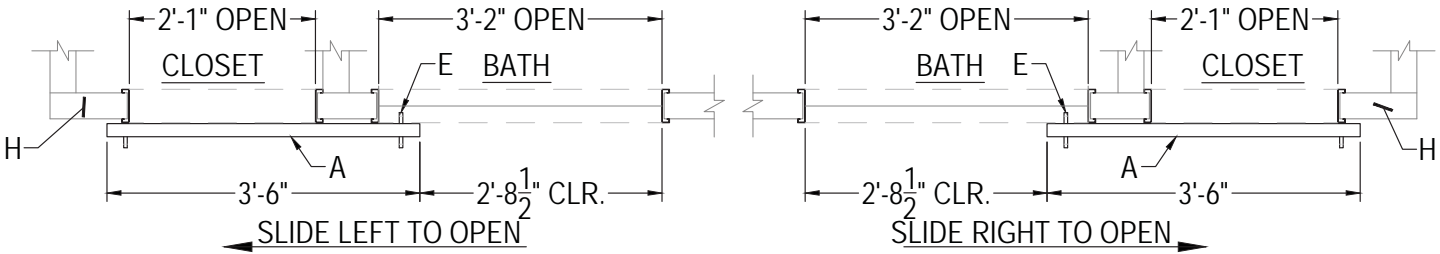


ARCHITECTURAL
concepts

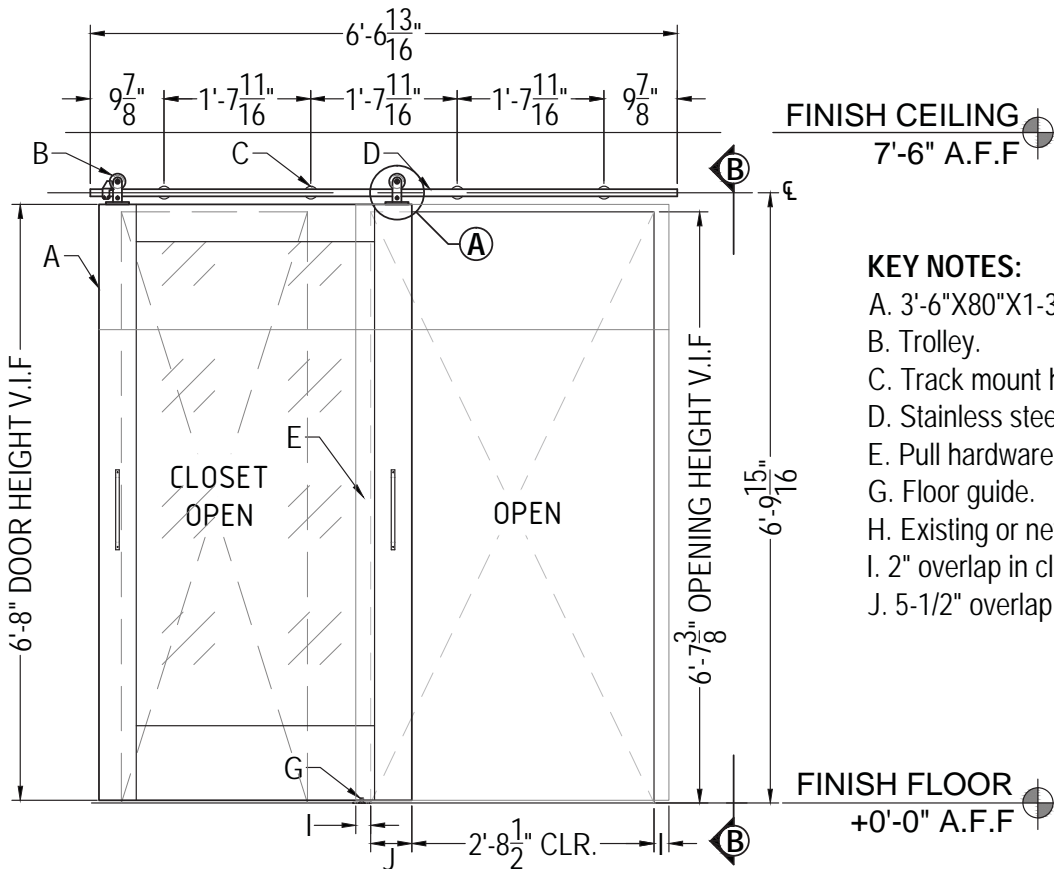
BARN DOOR SERIES AC9000A



HANGER | Model # AC-9000-A: ADA GUESTROOM SLIDING DOOR



PLAN VIEW



FINISH CEILING
7'-6" A.F.F.

KEY NOTES:

- A. 3'-6"X80"X1-3/4" - Barn door with 1/4" mirror.
- B. Trolley.
- C. Track mount hardware.
- D. Stainless steel track.
- E. Pull hardware AC5310 ADA Room
- G. Floor guide.
- H. Existing or new wall.
- I. 2" overlap in closed position both sides.
- J. 5-1/2" overlap in open position.

ELEVATION

NOTES:

1. All measurements to be field verified by Architectural Concepts or by G.C.
2. Please follow care and handing instructions for doors and hardware.
3. AC will submit drawings for approval before ordering any material
4. Layout and configuration can be customized to exceed customer requirements.

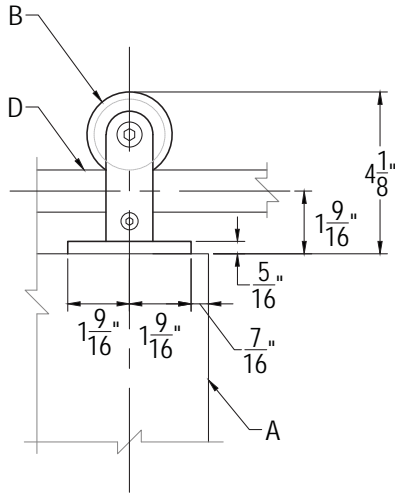


ARCHITECTURAL
concepts

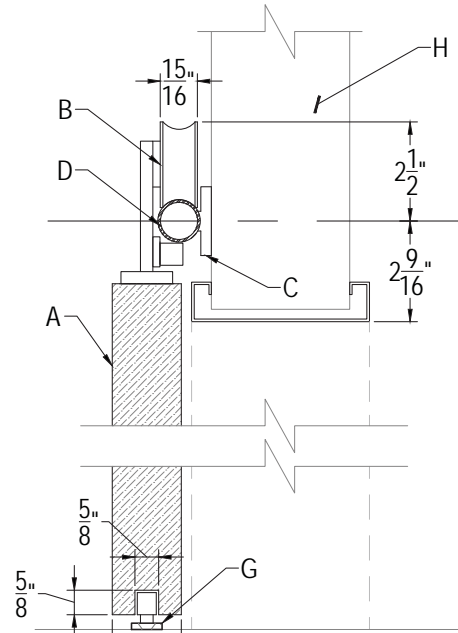
BARN DOOR SERIES AC9000A



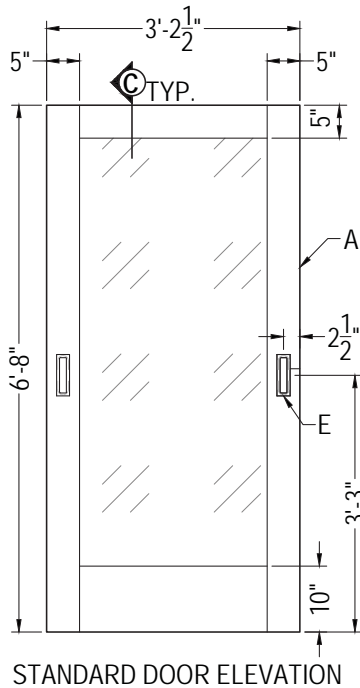
HANGER | Model #: AC-9000-A



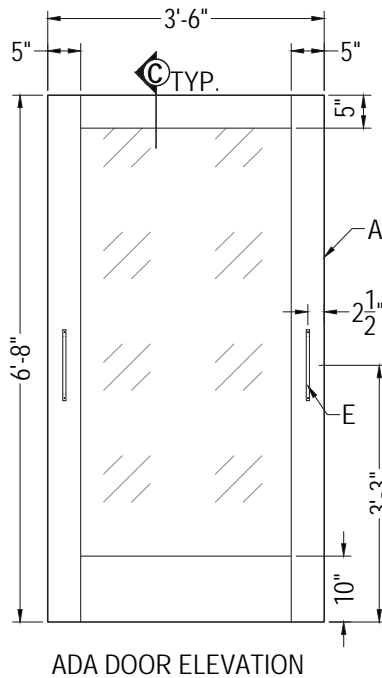
SECTION - A



SECTION - B



STANDARD DOOR ELEVATION

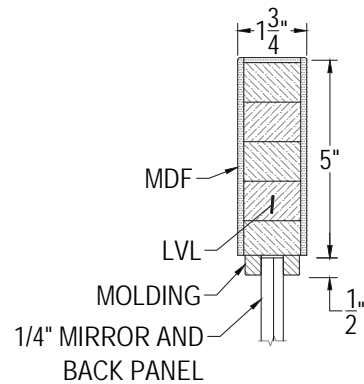


ADA DOOR ELEVATION

DOOR - ELEVATION

KEY NOTES:

- A. Barn door with 1/4" mirror
- B. Trolley.
- C. Track mount hardware.
- D. Stainless steel track.
- E. Pull hardware AC4251 Standard Room & AC5310 ADA Room
- G. Floor guide.
- H. Existing or new wall.



SECTION - C



ARCHITECTURAL
concepts

BARN DOOR SERIES AC9000A

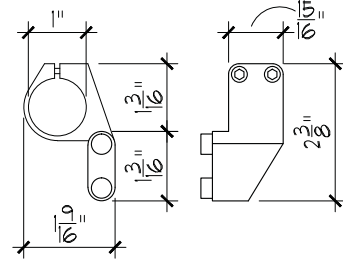


HANGER



MODEL: AC9000-A
DESCRIPTION: TOP MOUNTED TROLLEY
FINISH: SATIN STAINLESS

STOPPER



DESCRIPTION: TOP MOUNTED TROLLEY
FINISH: SATIN STAINLESS

FLOOR GUIDE



MODEL: AC120SS
DESCRIPTION: FLOOR MOUNTED
FINISH: STAINLESS STEEL

PULLS NOT PART OF AC-9000, SEE PULL OPTION CATALOG

PULL



MODEL: AC5310
DESCRIPTION: 10" BTB OR SINGLE SIDED
FINISH: SATIN CHROME
LOCATION:

FLUSH PULL

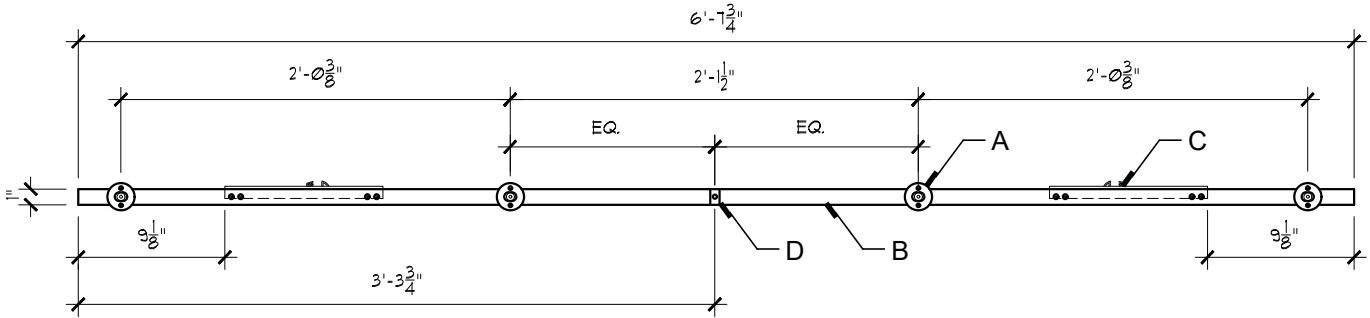


MODEL: AC4251
DESCRIPTION: 6" RECESSED FLUSH PULL
FINISH: SATIN CHROME
LOCATION: INSIDE AT BATHROOM AREA

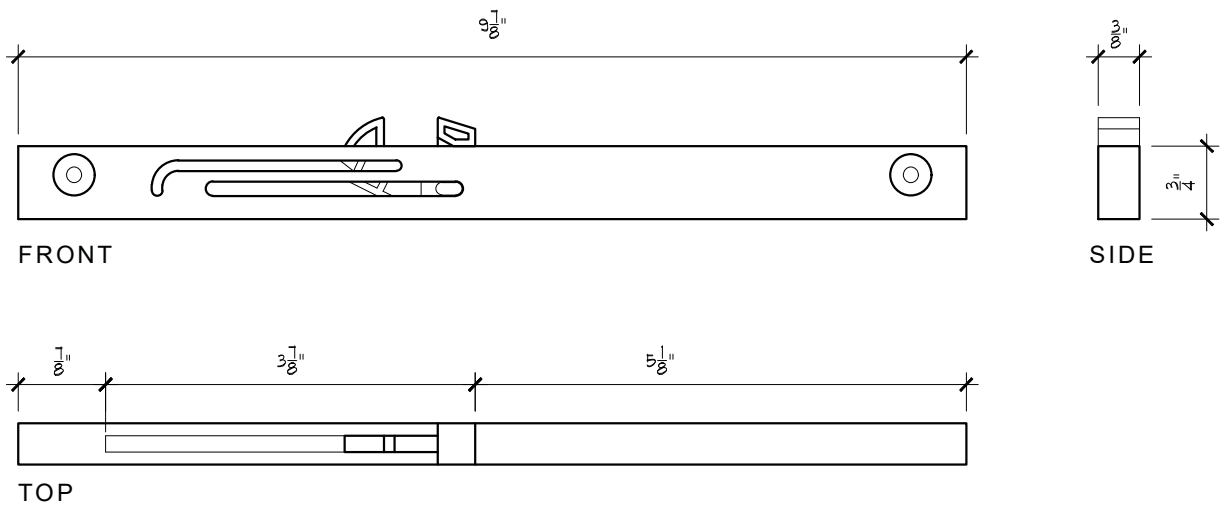


ARCHITECTURAL
concepts

BARN DOOR SERIES AC9000A



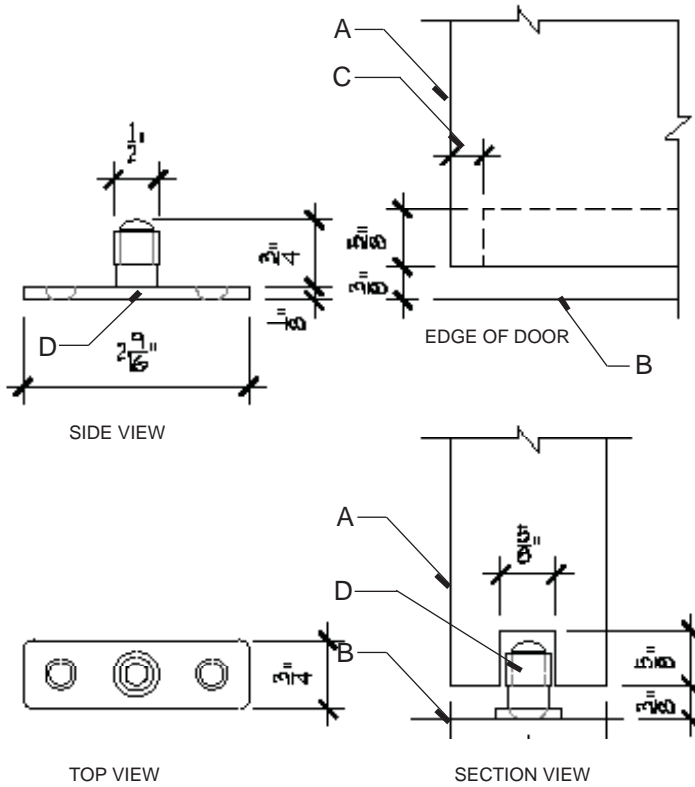
TRACK ELEVATION - BACK SIDE



SOFT CLOSE HARDWARE

KEYNOTES:

- A. Track mount hardware, typ of 4.
- B. Stainless steel track.
- C. Soft close hardware, typ of 2.
- D. Splice connection of track.



DOOR PREP

KEYNOTES:

- A. Wood door.
- B. Finish floor.
- C. Prep can be done full width of door, or stopped $\frac{3}{8}$ " short of door edge on each end of conceal prep.
- D. Floor guide

FLOOR GUIDE

MODEL: AC12SS
 DESCRIPTION: FLOOR MOUNTED
 FINISH: 630 STAINLESS STEEL



ARCHITECTURAL
concepts

PULL HARDWARE
AC5310

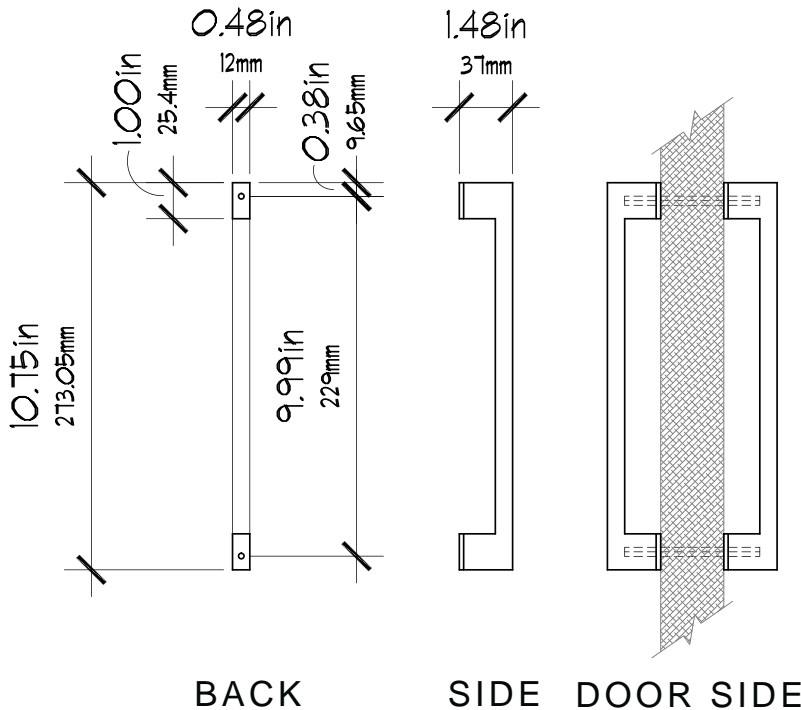


DIMENSIONS

FINISHES

626 - Satin Chrome

Custom colors available
upon request.



NOTE: PULL FOR ADA GUESTROOM ONLY

PAGE 8 OF 9



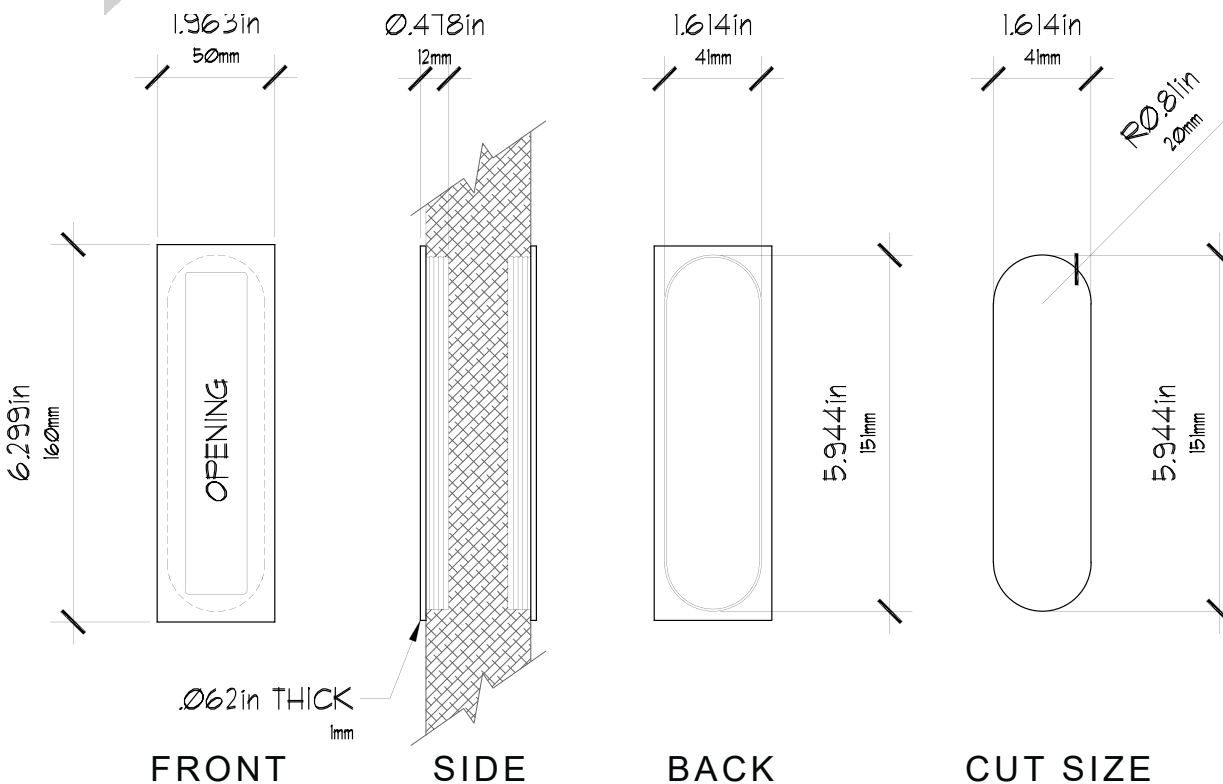
ARCHITECTURAL
concepts

PULL HARDWARE
AC4251



DIMENSIONS

FINISHES



626 - Satin Chorme

Custom colors available upon request.

NOTE: RECESSED FLUSH PULL FOR STANDARD GUESTROOM ONLY

PAGE 9 OF 9