



ARCHITECTURAL
concepts

BARN DOOR SERIES
AC9000A



TABLE OF CONTENTS

- Page 2 - AC9000A Layout and Elevations
- Page 3 - AC9000A Hardware details and barn door details
- Page 4 - Hardware Overview
- Page 5 - Soft Close and track detail
- Page 6 - Door prep and floor guide details
- Page 7 - Pull Hardware AC5310
- Page 8 - Pull Hardware AC4251



COLORADO • CALIFORNIA • MARYLAND
PH 888.248.ARCH PH 720.259.5358 F 720.259.5359

archconceptsllc.com
info@archconceptsllc.com

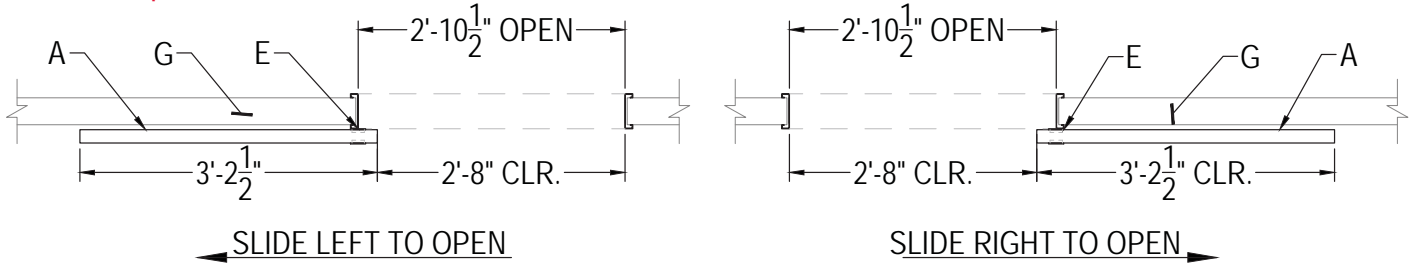


ARCHITECTURAL
concepts

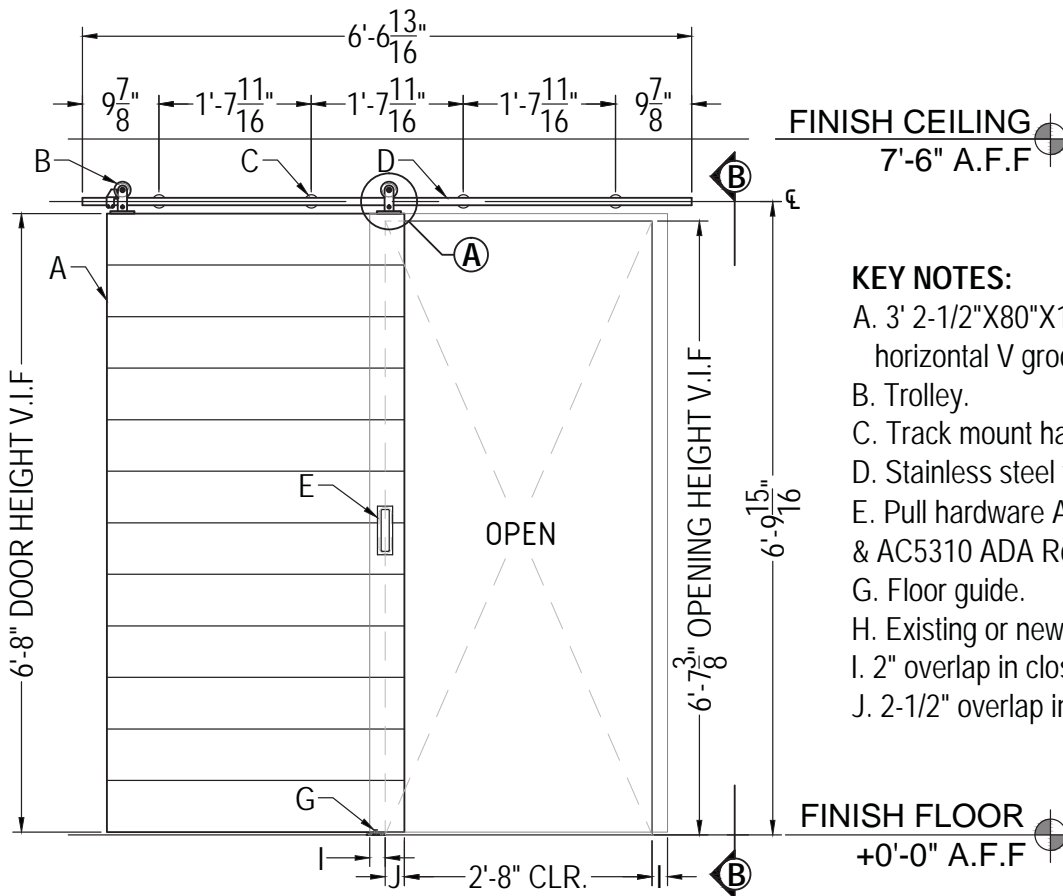
BARN DOOR SERIES AC9000A



HANGER | Model #: AC-9000-A GUESTROOM SLIDING DOOR



PLAN VIEW



ELEVATION

KEY NOTES:

- A. 3' 2-1/2"X80"X1-3/4" - Barn door with horizontal V grooves.
- B. Trolley.
- C. Track mount hardware.
- D. Stainless steel track.
- E. Pull hardware AC4251 Standard Room & AC5310 ADA Room
- G. Floor guide.
- H. Existing or new wall.
- I. 2" overlap in closed position both sides.
- J. 2-1/2" overlap in open position.

NOTES:

1. All measurements to be field verified by Architectural Concepts or by G.C.
2. Please follow care and handing instructions for doors and hardware.
3. AC will submit drawings for approval before ordering any material
4. Layout and configuration can be customized to exceed customer requirements.

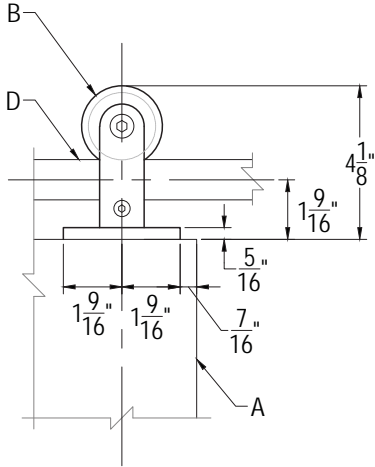


ARCHITECTURAL
concepts

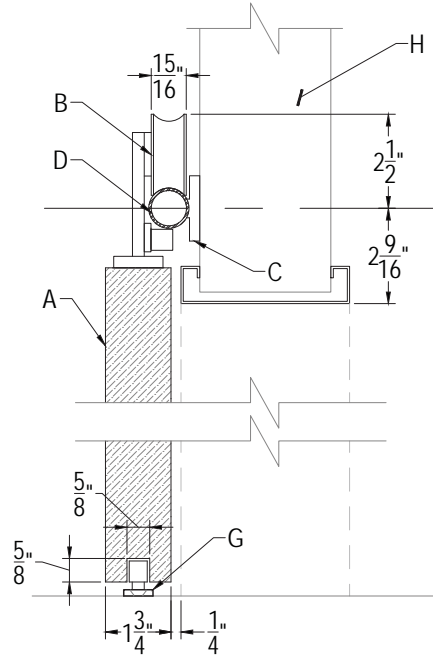
BARN DOOR SERIES AC9000A



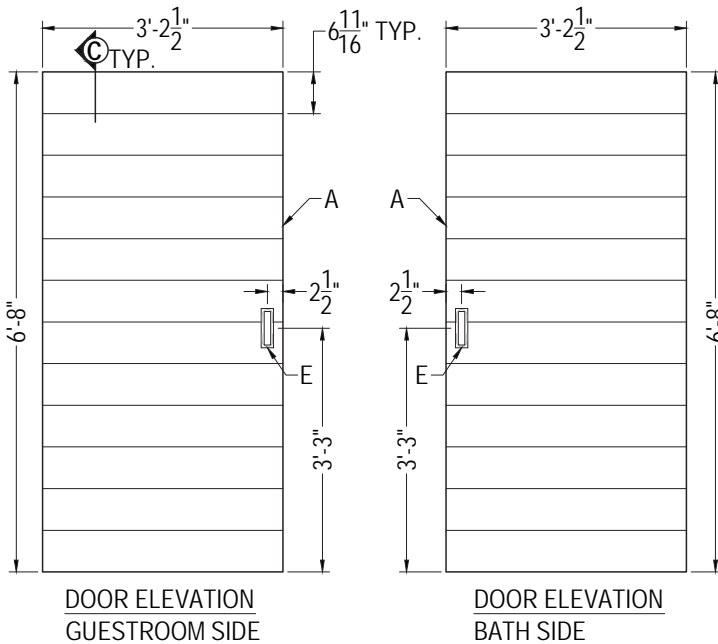
HANGER | Model #: AC-9000-A



SECTION - A



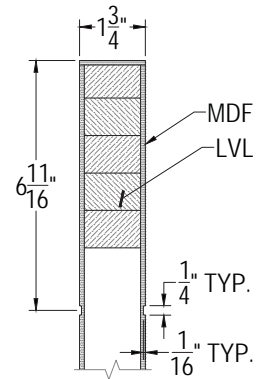
SECTION - B



DOOR - ELEVATION

KEY NOTES:

- A. Barn door with horizontal V grooves.
- B. Trolley.
- C. Track mount hardware.
- D. Stainless steel track.
- E. Pull hardware AC4251 Standard Room & AC5310 ADA Room
- G. Floor guide.
- H. Existing or new wall.



SECTION - C



ARCHITECTURAL
concepts

BARN DOOR SERIES AC9000A

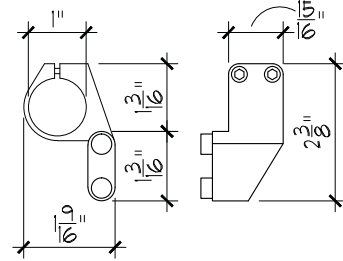


HANGER



MODEL: AC9000-A
DESCRIPTION: TOP MOUNTED TROLLEY
FINISH: SATIN STAINLESS

STOPPER



DESCRIPTION: TOP MOUNTED TROLLEY
FINISH: SATIN STAINLESS

FLOOR GUIDE



MODEL: AC120SS
DESCRIPTION: FLOOR MOUNTED
FINISH: STAINLESS STEEL

PULLS NOT PART OF AC-9000, SEE PULL OPTION CATALOG

PULL

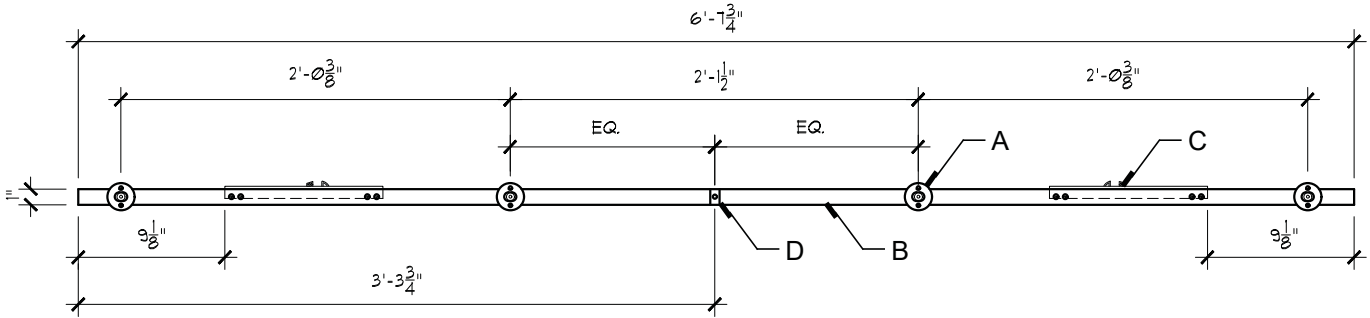


MODEL: AC5310
DESCRIPTION: 10" BTB OR SINGLE SIDED
FINISH: SATIN CHROME
LOCATION:

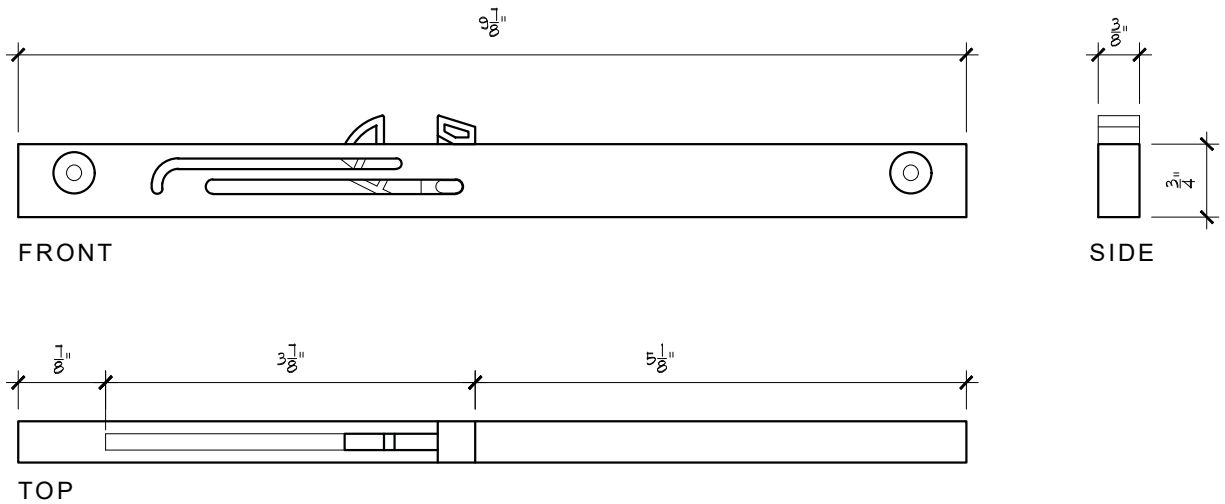
FLUSH PULL



MODEL: AC4251
DESCRIPTION: 6" RECESSED FLUSH PULL
FINISH: SATIN CHROME
LOCATION: INSIDE AT BATHROOM AREA



TRACK ELEVATION - BACK SIDE



SOFT CLOSE HARDWARE

KEYNOTES:

- A. Track mount hardware, typ of 4.
- B. Stainless steel track.
- C. Soft close hardware, typ of 2.
- D. Splice connection of track.



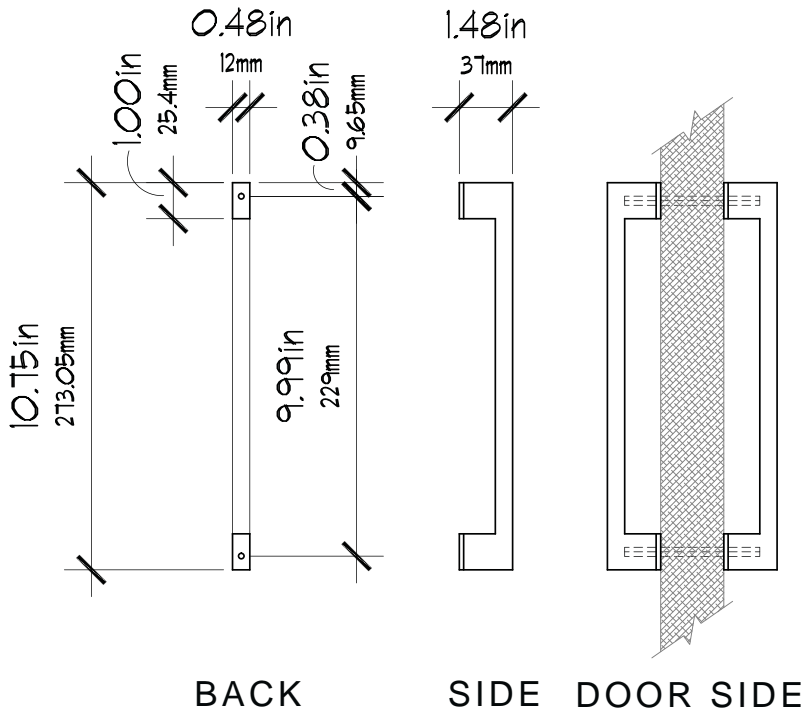
ARCHITECTURAL
concepts

PULL HARDWARE
AC5310



DIMENSIONS

FINISHES



626 - Satin Chrome

Custom colors available upon request.

NOTE: PULL FOR ADA GUESTROOM ONLY

PAGE 7 OF 8

COLORADO • CALIFORNIA • MARYLAND
PH 888.248.ARCH PH 720.259.5358 F 720.259.5359

archconceptsllc.com
info@archconceptsllc.com



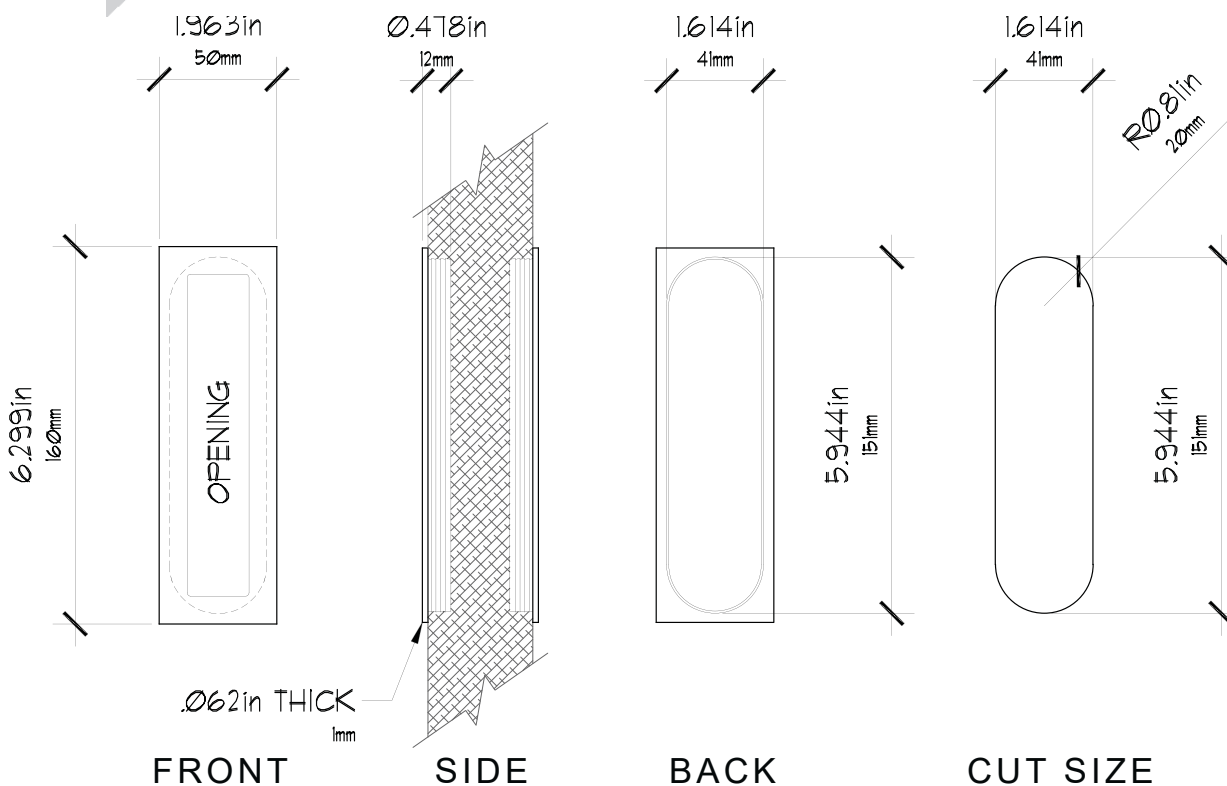
ARCHITECTURAL
concepts

PULL HARDWARE
AC4251



DIMENSIONS

FINISHES



626 - Satin Chrome

Custom colors available upon request.

NOTE: RECESSED FLUSH PULL FOR STANDARD GUESTROOM ONLY

PAGE 8 OF 8