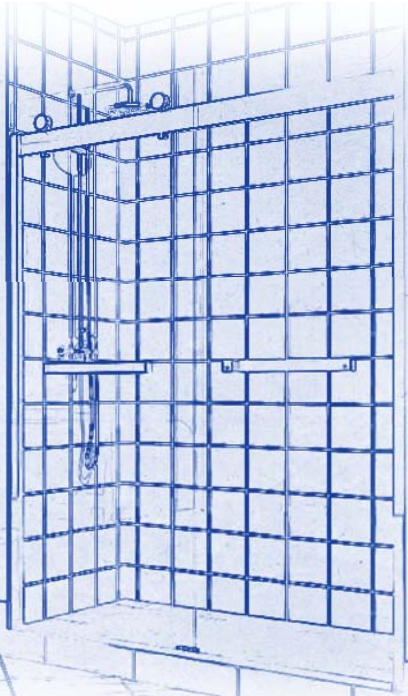




ARCHITECTURAL
concepts

GLASS SHOWER ENCLOSURE
PASADENA
BYPASS SHOWER DOOR



REALIZE YOUR IMAGINATION

TABLE OF CONTENT:

- Page 2 - Glass Door Panel Dimensions
- Page 3 - Shower Elevation Dimensions
- Page 4 - Details
- Page 5 - Hardware Series
- Page 6 - Towel Bar

REVISION: 00.00.00
PAGE 1 OF 6



ARCHITECTURAL
concepts

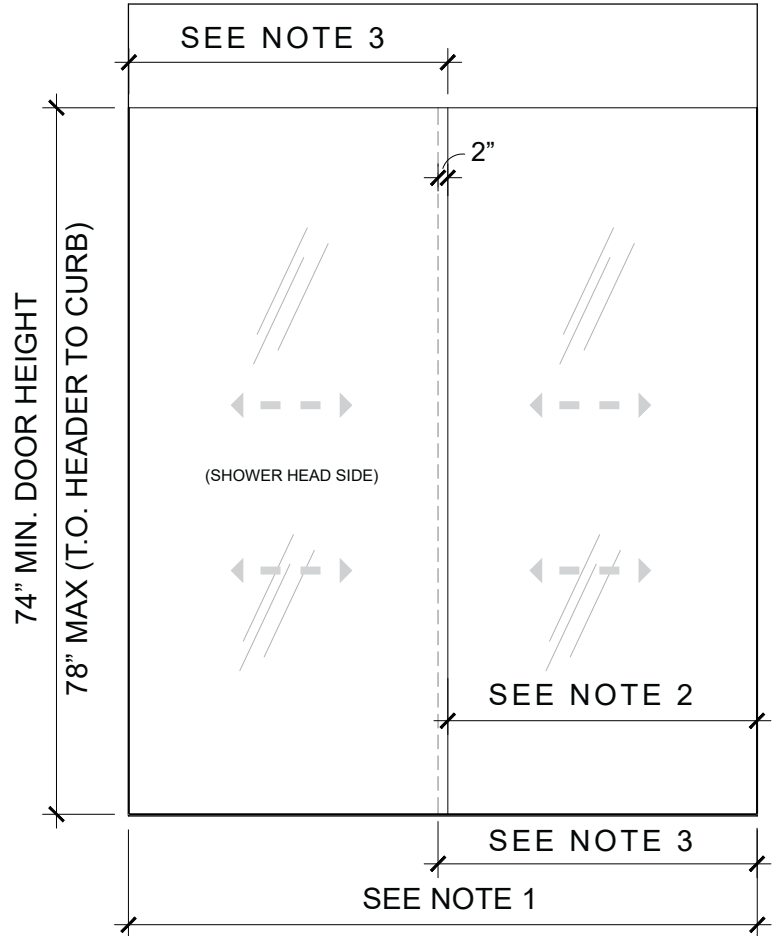
GLASS SHOWER ENCLOSURE PASADENA BYPASS SHOWER DOOR



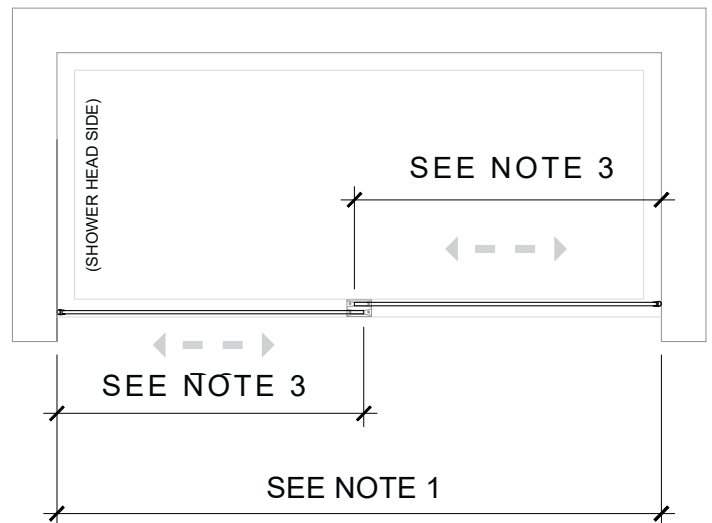
GLASS DOOR AND PANEL DIMENSIONS

NOTES:

1. 54" MIN. TO 60" STANDARD. LONGER LENGTHS UP TO 64" ARE AVAILABLE UPON REQUEST.
2. 28 5/8" WALK-THROUGH CLEARANCE.
3. WIDTH OF WALK-THROUGH CLEARANCE + 2".
4. GLASS AVAILABLE IN 3/8" (10MM) TEMPERED. 1/2" (12MM) GLASS IS NOT RECOMMENDED.
5. PANELS OVERLAP BY 2".
6. HYDROBOLIC COASTING IS AVAILABLE UPON REQUEST AT AN ADDITIONAL CHARGE.



ELEVATION



PLAN

REVISION: 00.00.00
PAGE 2 OF 6

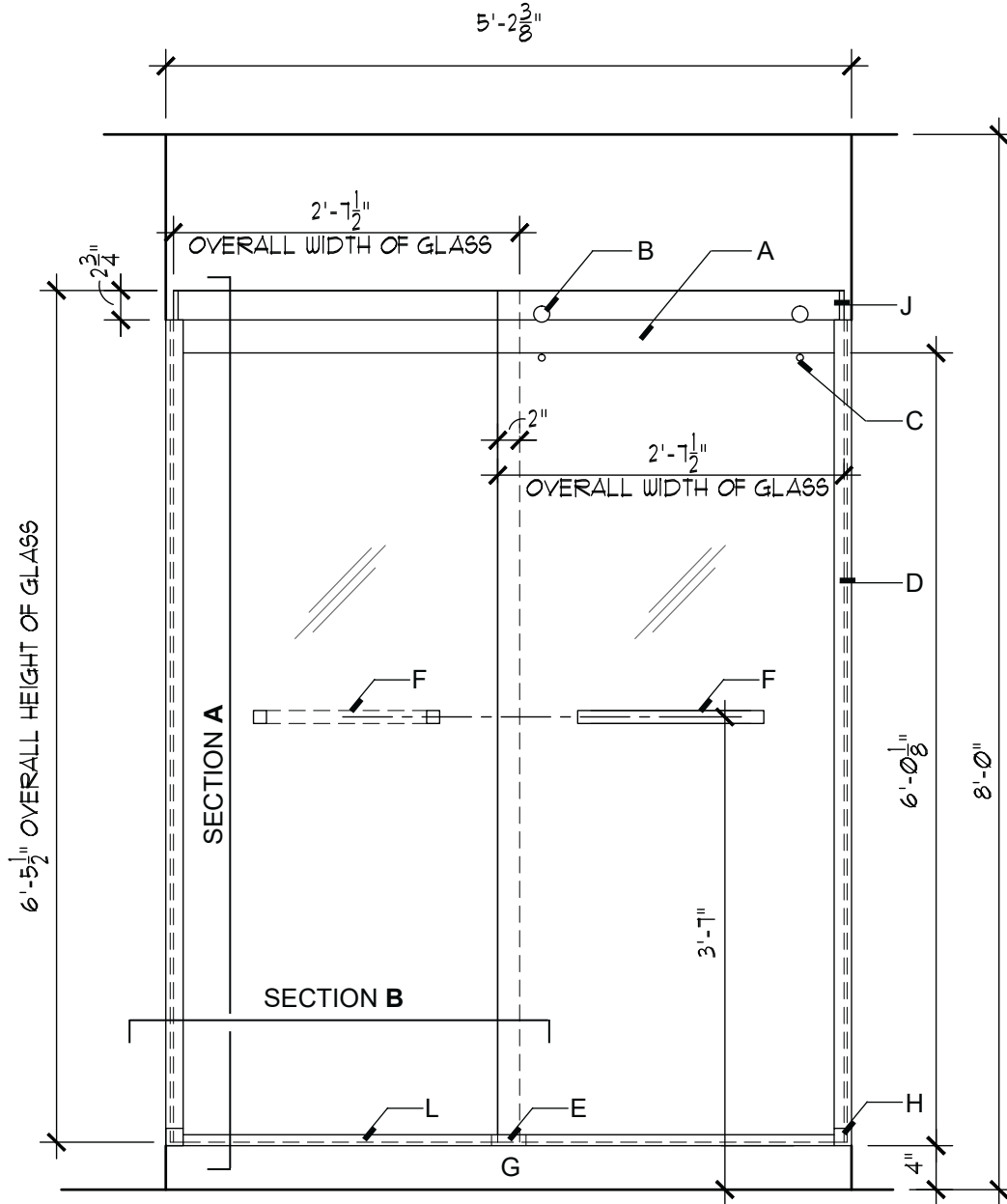


ARCHITECTURAL
concepts

GLASS SHOWER ENCLOSURE
PASADENA
BYPASS SHOWER DOOR



GLASS DOOR AND PANEL DIMENSIONS



ELEVATION

KEYNOTES:

- | | |
|---------------------------|-----------------------------------|
| A. Top track. | F. Towel bar hardware. |
| B. Trolley hardware. | G. Shower curb |
| C. Anti-jump hardware. | H. Side rail shoe. |
| D. Side rail. | J. Glass door edge protector. |
| E. Concealed panel guide. | K. 3/8" thick sliding glass door. |
| | L. Bottom rail. |

REVISION: 00.00.00
PAGE 3 OF 6



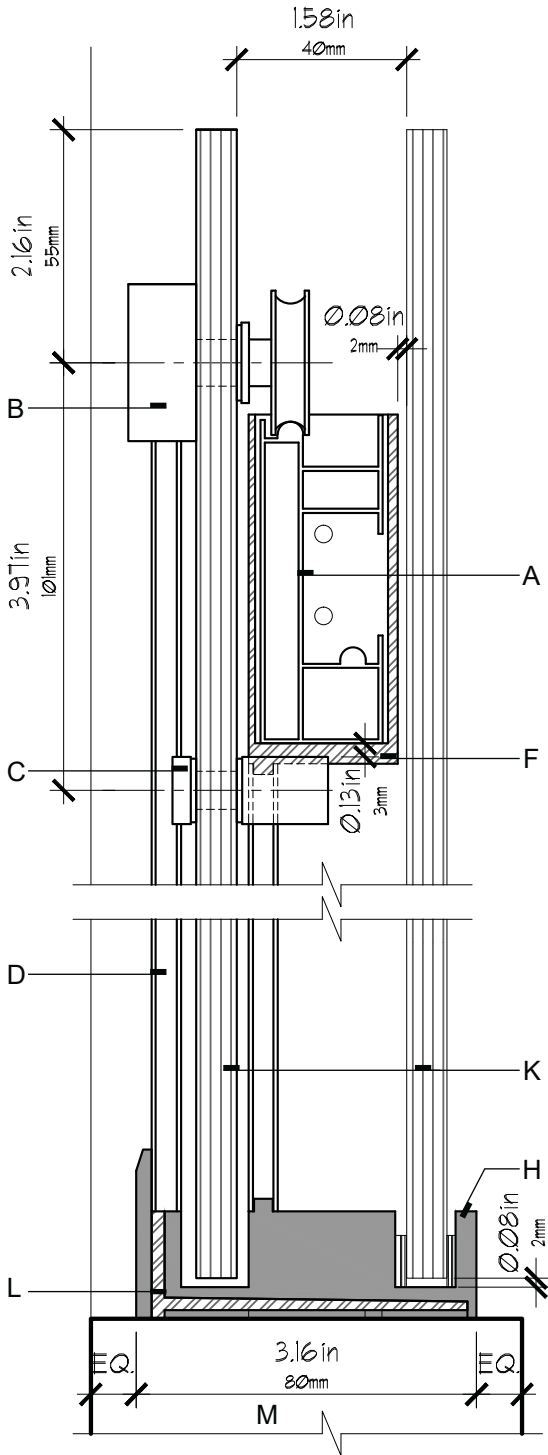
ARCHITECTURAL
concepts

GLASS SHOWER ENCLOSURE PASADENA BYPASS SHOWER DOOR

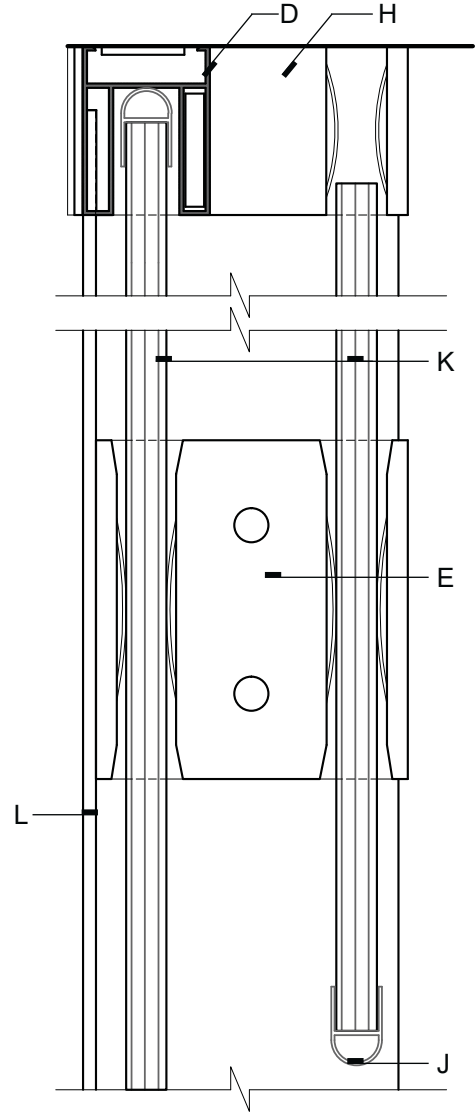


KEYNOTES:

- A. Top track.
- B. Trolley hardware.
- C. Anti-jump hardware.
- D. Side rail.
- E. Concealed panel guide.
- F. Bracket for top track.
- G. Shower curb.
- H. Side rail shoe.
- J. Glass door edge protector.
- K. 3/8" thick sliding glass door.
- L. Bottom rail.
- M. Shower curb.



SECTION A



TOP VIEW

SECTION B

REVISION: 00.00.00
PAGE 4 OF 6



ARCHITECTURAL
concepts

GLASS SHOWER ENCLOSURE PASADENA BYPASS SHOWER DOOR

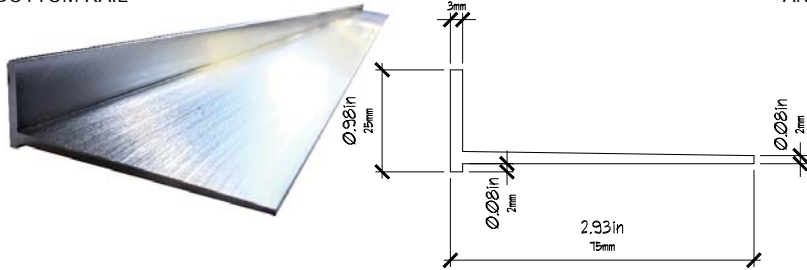


NOTES:

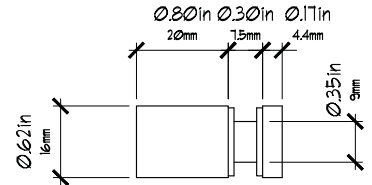
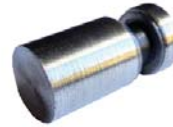
1. FINISHES ARE AVAILABLE IN POLISHED AND SATIN STAINLESS.

HARDWARE

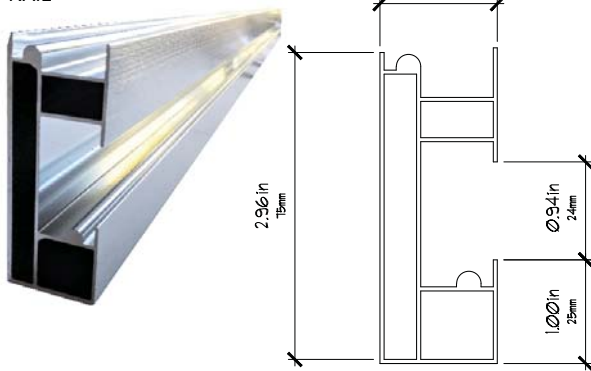
BOTTOM RAIL



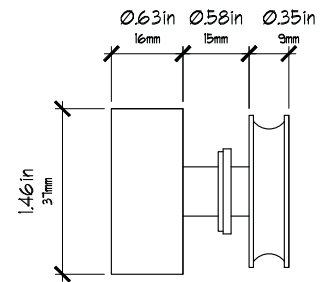
ANTI-JUMP (2)



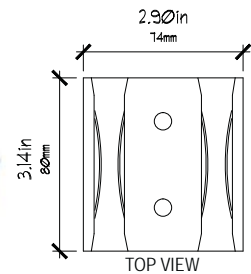
TOP RAIL



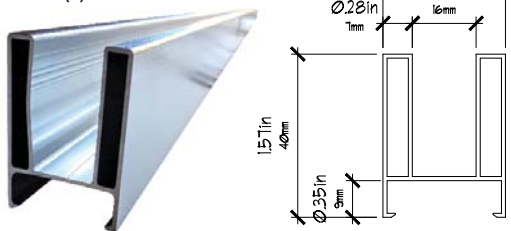
TROLLEY (2)



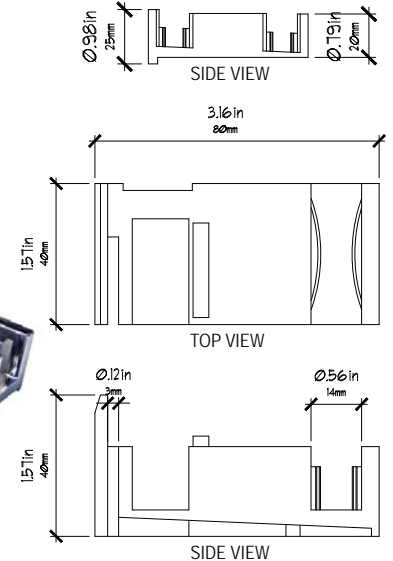
PANEL GUIDE



SIDE RAIL (2)



SIDE RAIL SHOE (2)



GLASS DOOR EDGE
PROTECTOR (2)



REVISION: 00.00.00
PAGE 5 OF 6



ARCHITECTURAL
concepts

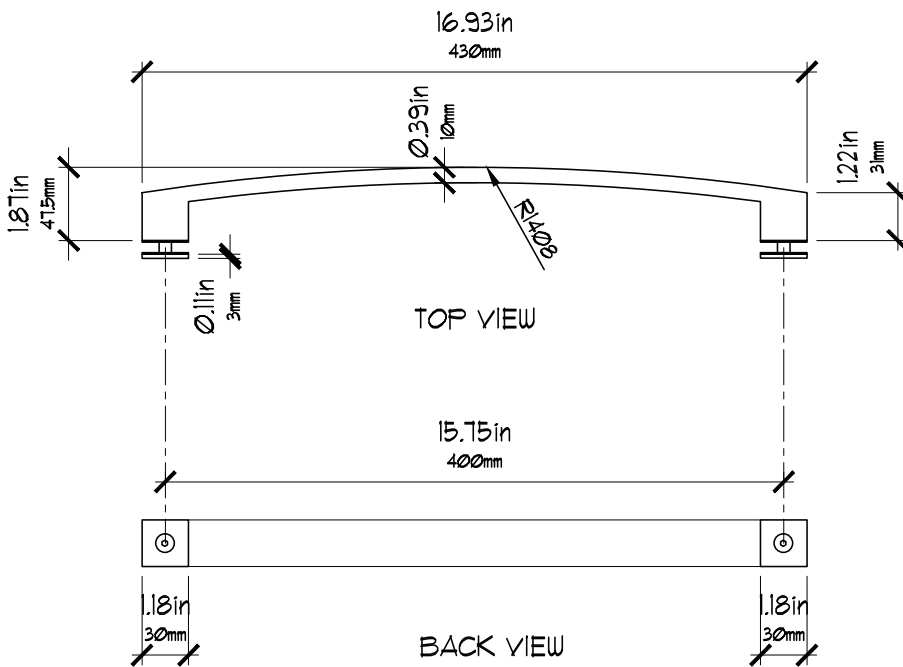
PASADENA
BYPASS SHOWER DOOR
ACPA6316



TOWEL BAR HARDWARE



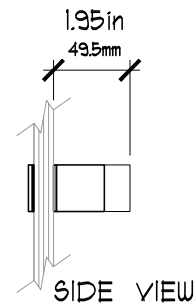
DIMENSIONS



FINISHES

- 629 - Polished Stainless
- 630 - Satin Stainless

Custom colors available upon request.



REVISION: 00.00.00
PAGE 6 OF 6