



ARCHITECTURAL
concepts

PULL HARDWARE

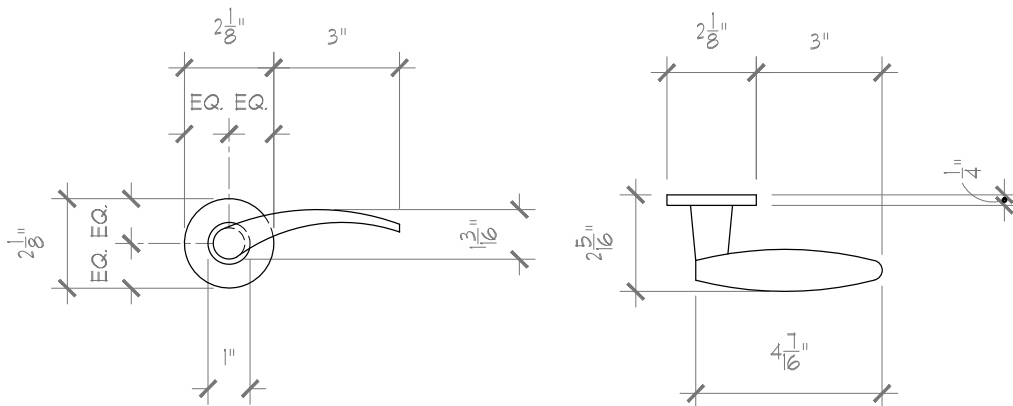
AC045



FINISHES

- 629 - Satin Stainless
- 630 - Polished Stainless

DIMENSIONS



APPLICATION

