



ARCHITECTURAL  
concepts

# PULL HARDWARE

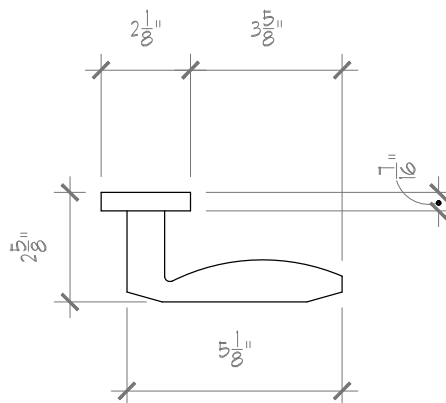
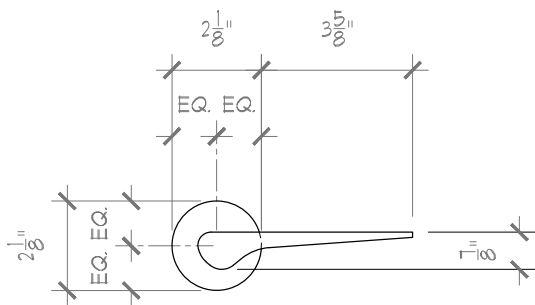
AC019



## FINISHES

- 629 - Satin Stainless
- 630 - Polished Stainless

## DIMENSIONS



## APPLICATION

