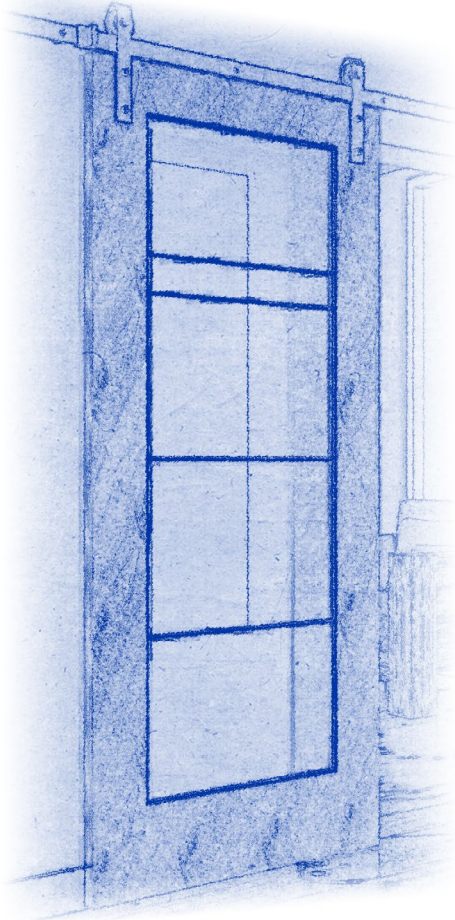




ARCHITECTURAL
concepts

BARN DOOR HARDWARE
AC8000series



REALIZE YOUR IMAGINATION

TABLE OF CONTENTS

- Page 2 - Layout Options
- Page 3 - Hardware Options
- Page 4 - Hanger Opt. A Dimensions
- Page 5 - Hanger Opt. B Dimensions
- Page 6 - Door Prep for Floor Guide



ARCHITECTURAL
concepts

BARN DOOR HARDWARE AC8000series



HANGER OPTIONS



A

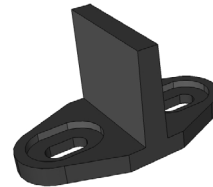
B

OPTIONAL PULL

Not part of AC-8000.
See Pull Option Catalog



CONCEALED FLOOR GUIDE



Description: Powder Coated Bronze Steel sliding barn door system with track and hardware. Handing to be verified by GC or Architectural Concepts. Door to be at least 2" wider than finished opening to properly overlap each side for privacy. Max. weight of door is 220 lbs.



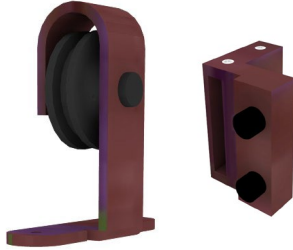
ARCHITECTURAL
concepts

BARN DOOR HARDWARE
AC8000series



HANGER OPTIONS (includes stopper)

OPTION A



MODEL: AC8000-A
DESCRIPTION: TOP MOUNTED TROLLEY
FINISH: METAL

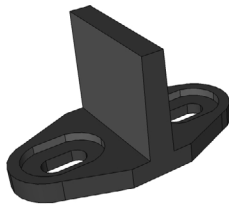
OPTION B



MODEL: AC8000-B
DESCRIPTION: FACE MOUNTED TROLLEY
FINISH: METAL

CONCEALED FLOOR GUIDE OPTIONS

FLOOR GUIDE



MODEL: AC
DESCRIPTION: FLOOR MOUNTED
FINISH: PLASTIC

OPTIONAL PULL

NOT PART OF AC-8000

SEE PULL OPTION CATALOG

OPTION A



MODEL: AC5324
DESCRIPTION: 24" BTB OR SINGLE SIDED
FINISH: BRUSHED OR POLISHED CHROME



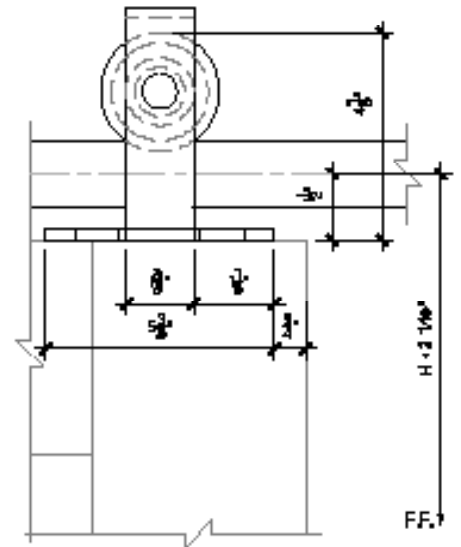
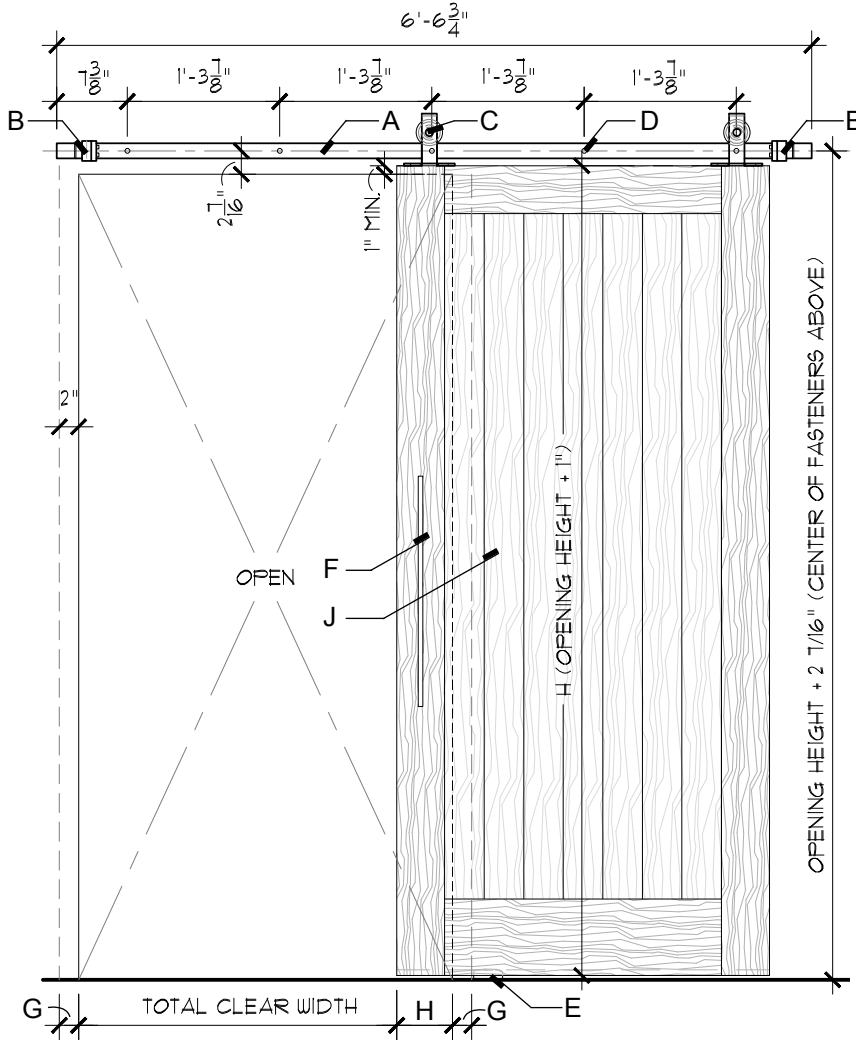
ARCHITECTURAL
concepts

BARN DOOR HARDWARE
AC8000series

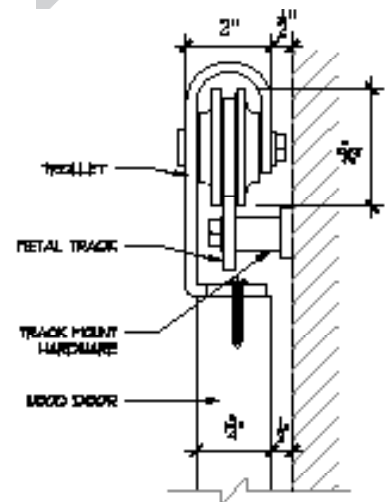


HANGER OPTION A | Model #: AC-8000-A

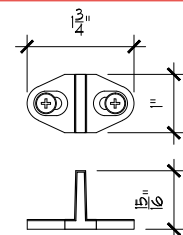
ELEVATION



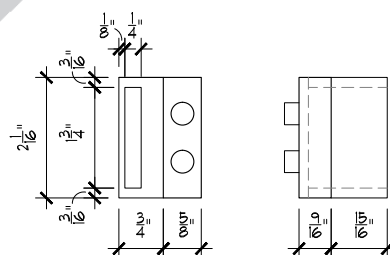
HANGER OPTION A



FLOOR GUIDE



DOOR STOP



KEYNOTES:

- A. Metal track.
- B. Door stop.
- C. Trolley hardware.
- D. Track mount hardware.
- E. Floor guide.
- F. Pull handle.
- G. 2" side of door overlap at closed position.
- H. 4" side of door overlap at open position.
- J. Wood door.

NOTES:

1. All measurements must be field verified by Architectural Concepts or by G.C.
2. Please follow care and handling instructions for doors and hardware.
3. AC will submit drawings for approval before ordering any material.
4. Layout and configuration can be customized to customer's need.

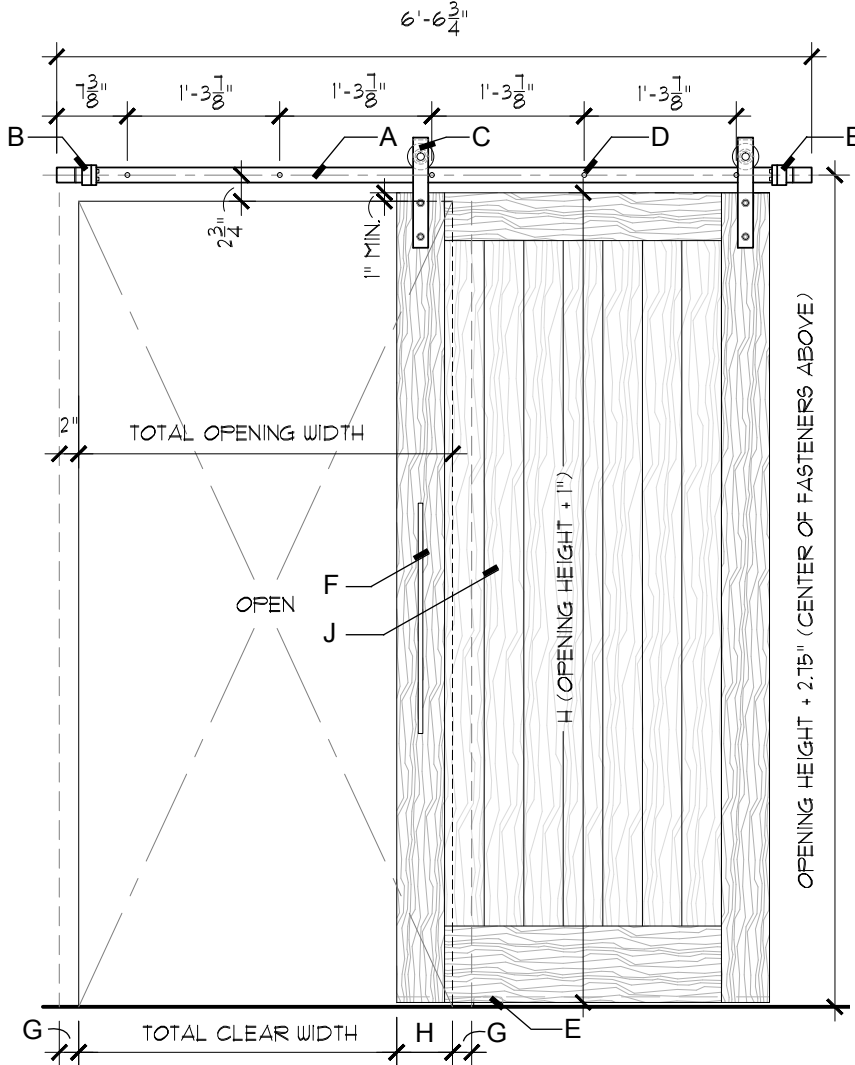


ARCHITECTURAL
concepts

BARN DOOR HARDWARE
AC8000series



HANGER OPTION B | Model #: AC-8000-B



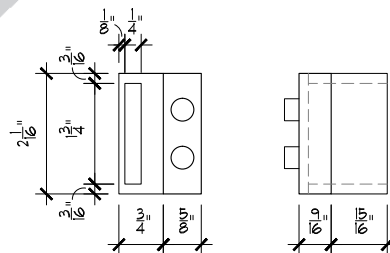
KEYNOTES:

- | | |
|--------------------------|--|
| A. Metal track. | F. Pull handle. |
| B. Door stop. | G. 2" side of door overlap at closed position. |
| C. Trolley hardware. | H. 4" side of door overlap at open position. |
| D. Track mount hardware. | J. Wood door. |
| E. Floor guide. | |

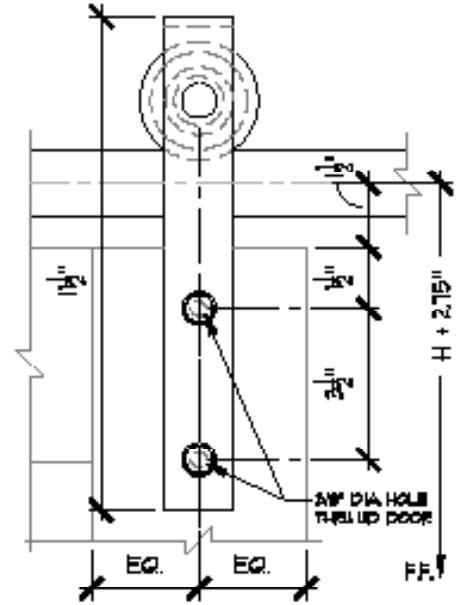
NOTES:

1. All measurements must be field verified by Architectural Concepts or by G.C.
2. Please follow care and handling instructions for doors and hardware.
3. AC will submit drawings for approval before ordering any material.
4. Layout and configuration can be customized to customer's need.

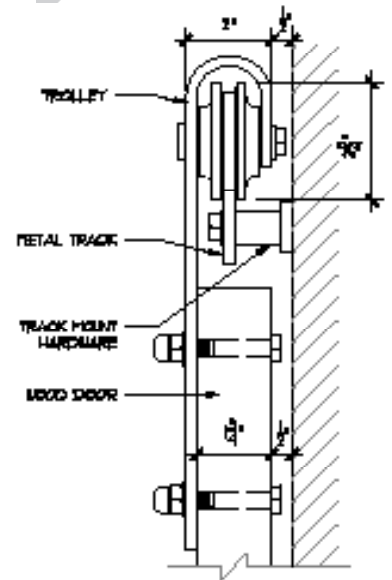
DOOR STOP



ELEVATION



HANGER OPTION B



FLOOR GUIDE

