

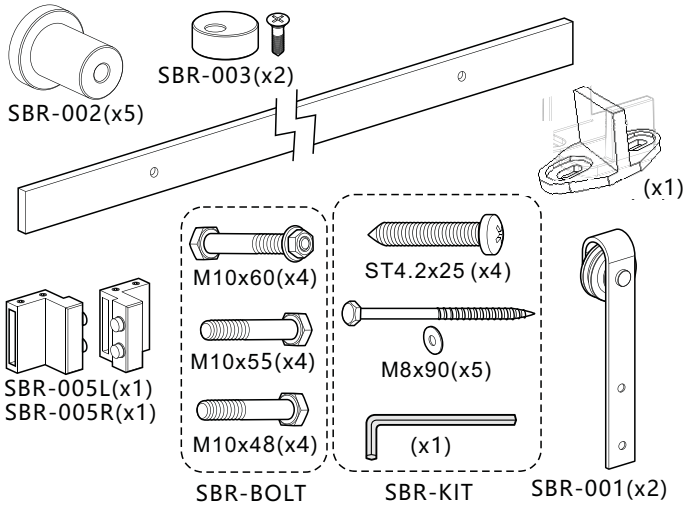


ARCHITECTURAL  
concepts

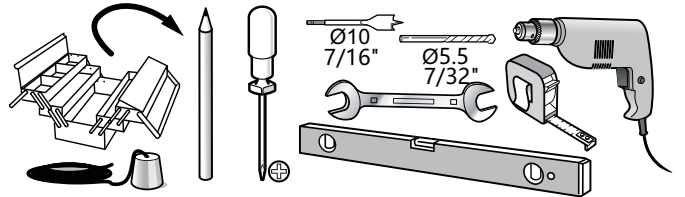
# BARN DOOR INSTALLATION

## AC8000Bseries

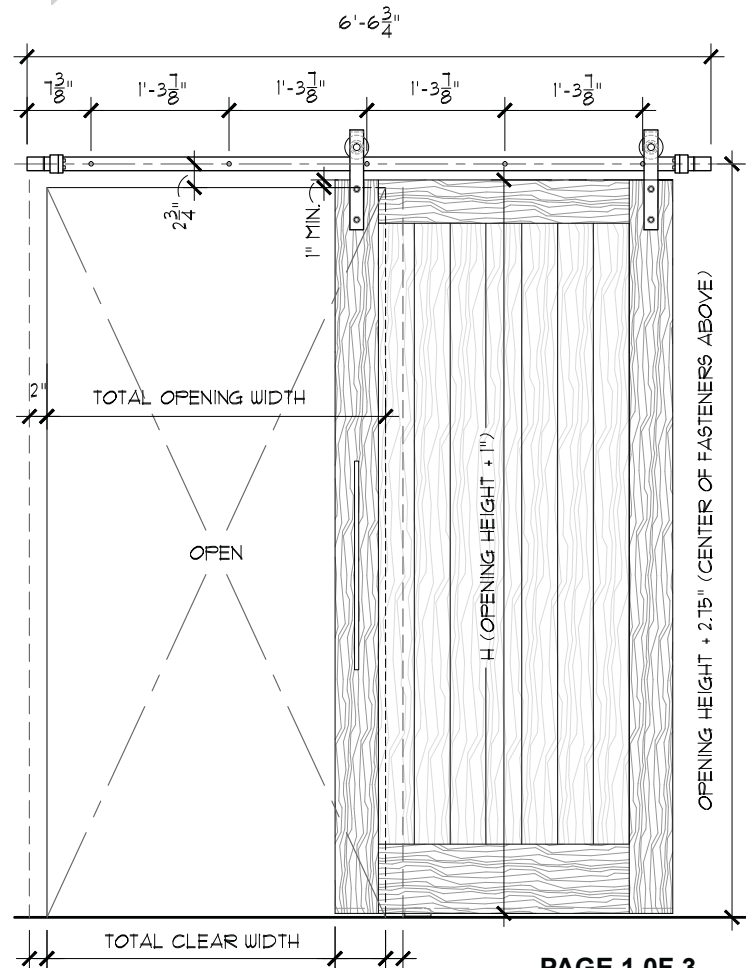
### MATERIALS PROVIDED



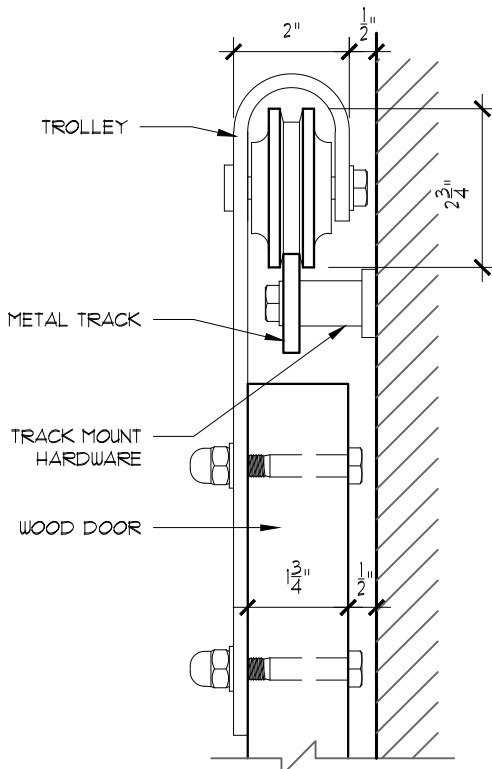
### TOOLS REQUIRED



### DIMENSIONS



### TROLLEY SECTIONS



PAGE 1 OF 3  
REVISED 00-00-00

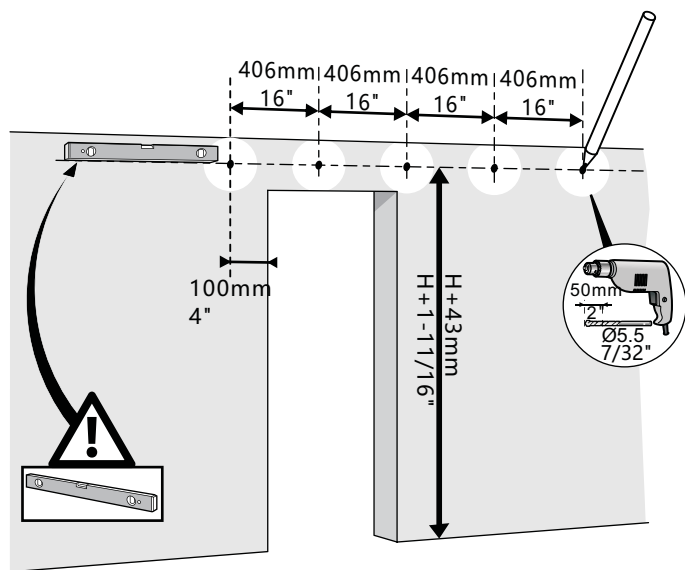


ARCHITECTURAL  
concepts

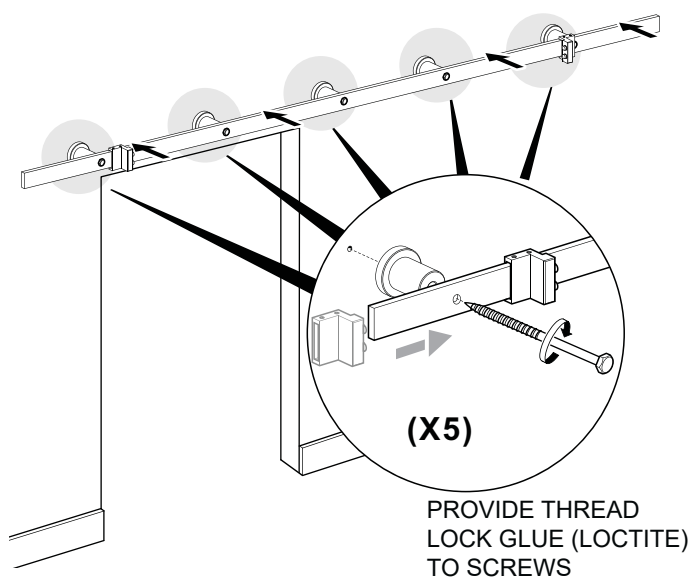
BARN DOOR INSTALLATION

AC8000Bseries

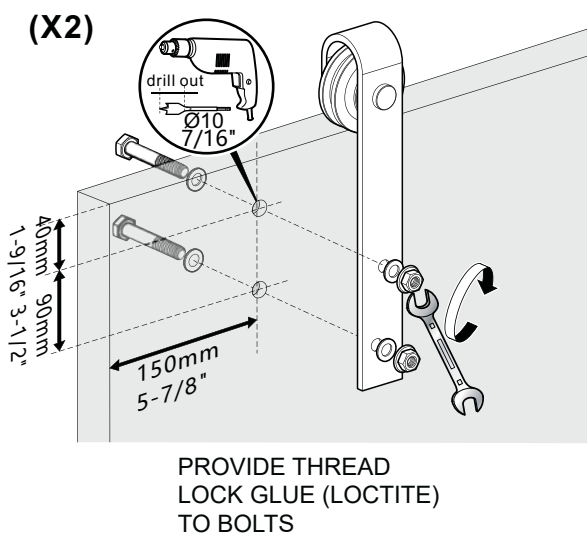
1



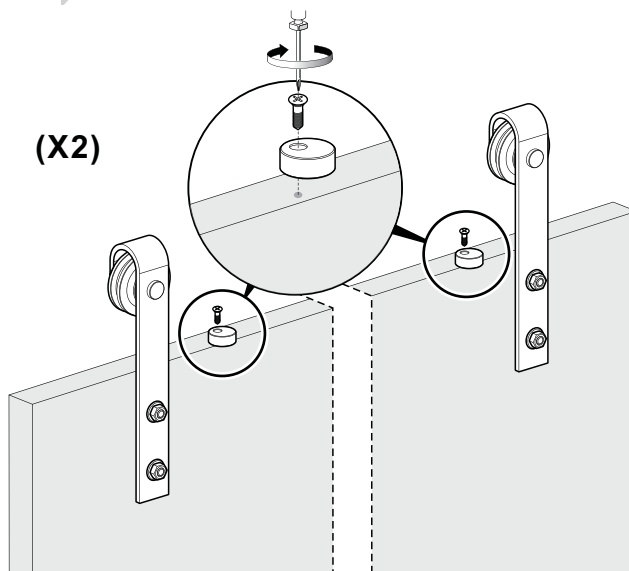
2



3



4



PAGE 2 OF 3

REVISED 00-00-00

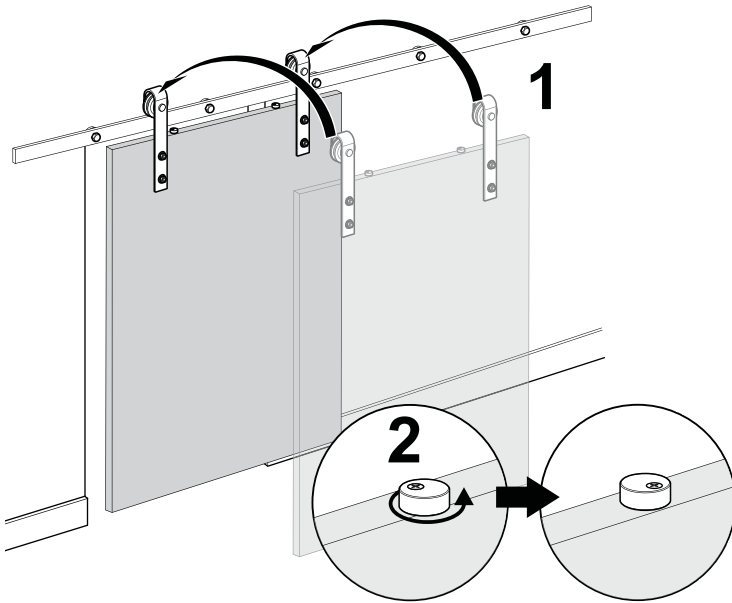


ARCHITECTURAL  
concepts

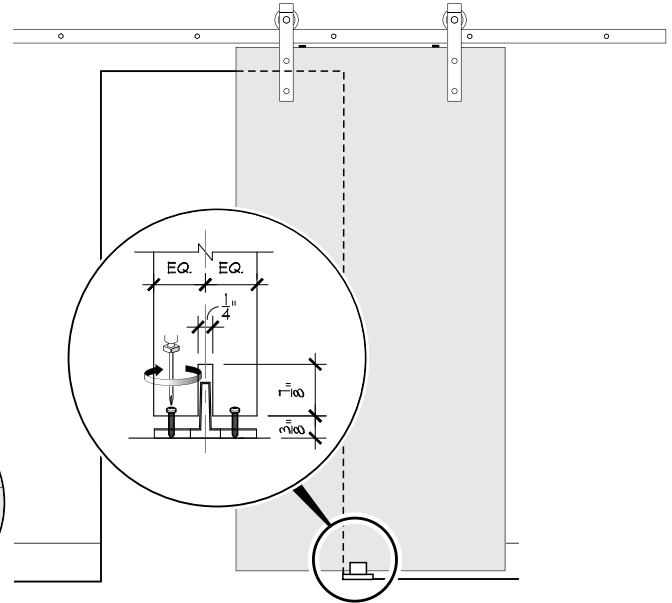
# BARN DOOR INSTALLATION

## AC8000Bseries

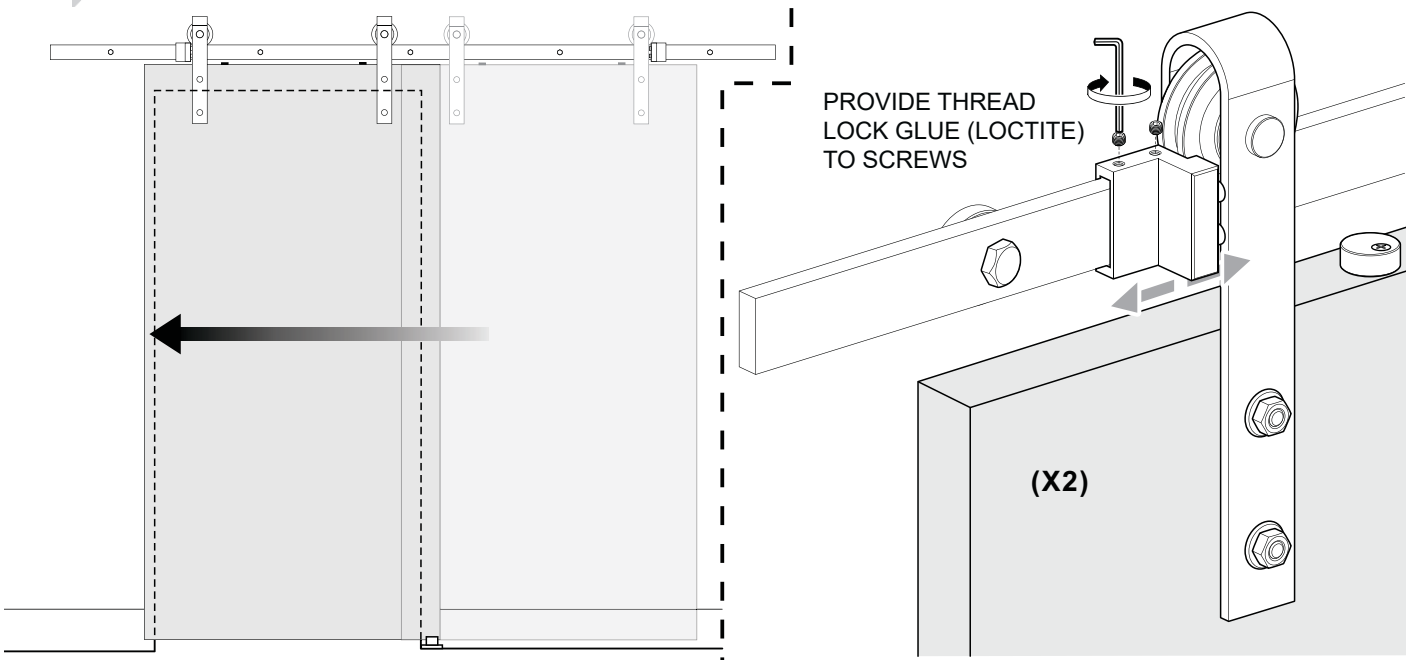
5



6



7



PAGE 3 OF 3

REVISED 00-00-00