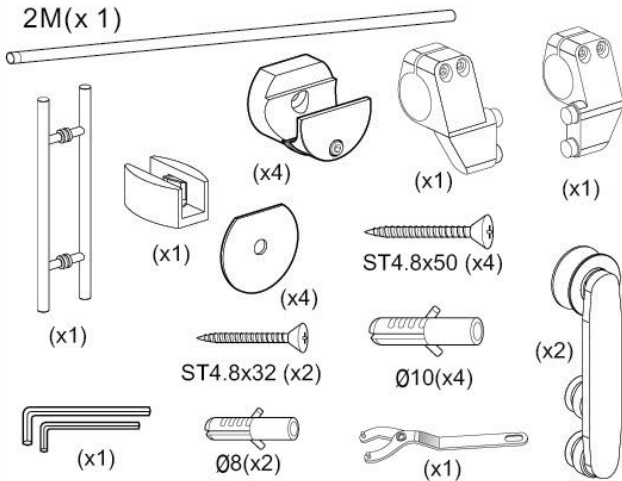




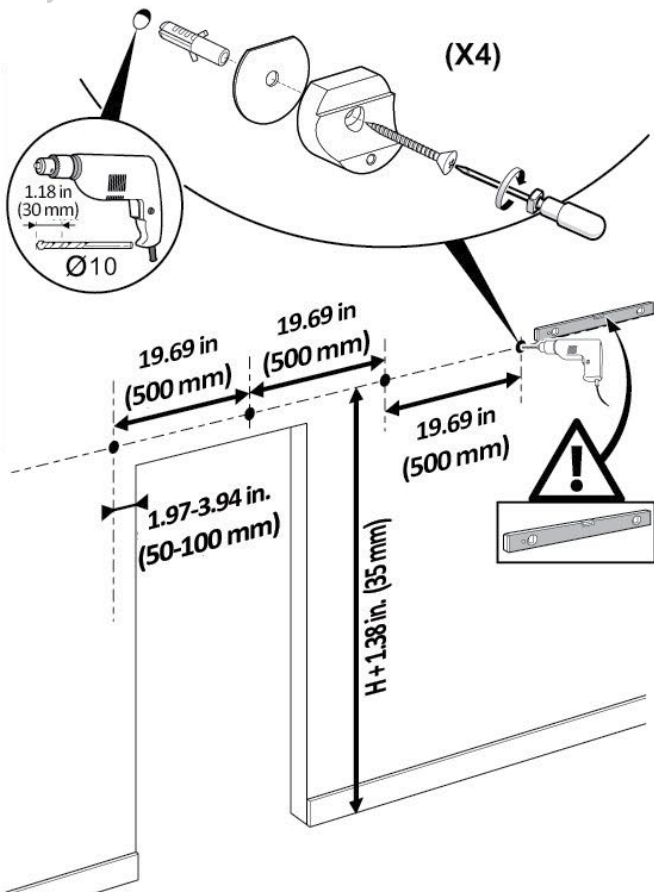
ARCHITECTURAL  
concepts

# BARN DOOR INSTALLATION AC5000Eseries

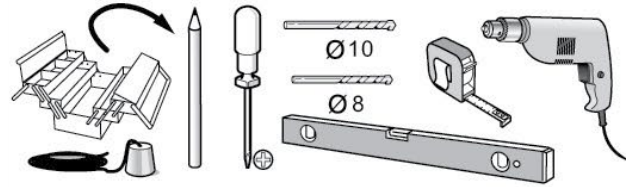
## MATERIALS PROVIDED



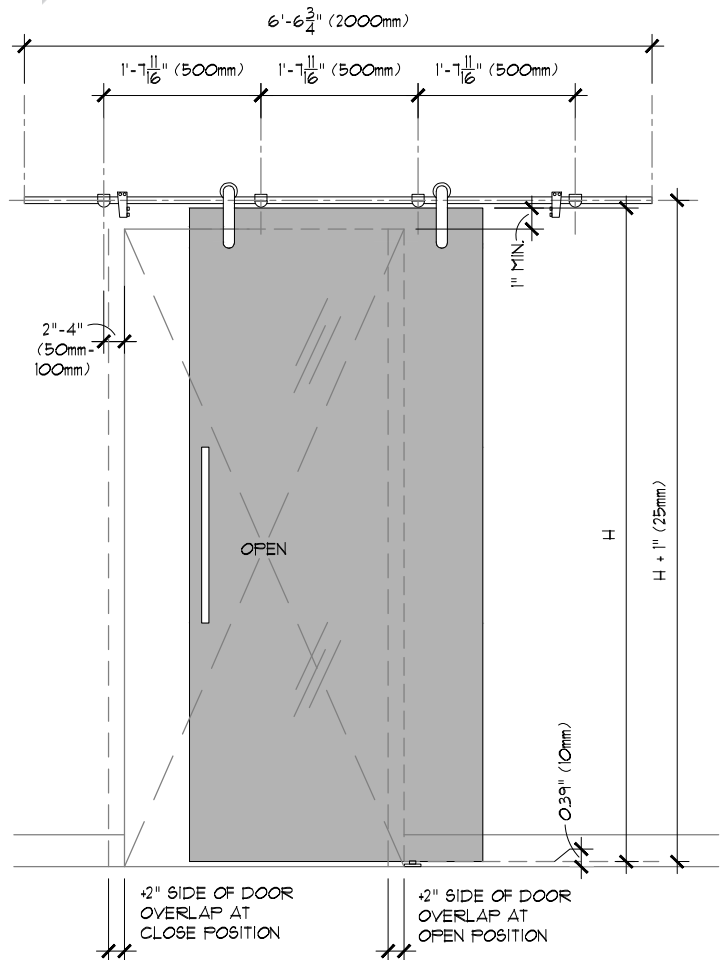
1



## TOOLS REQUIRED



## DIMENSIONS



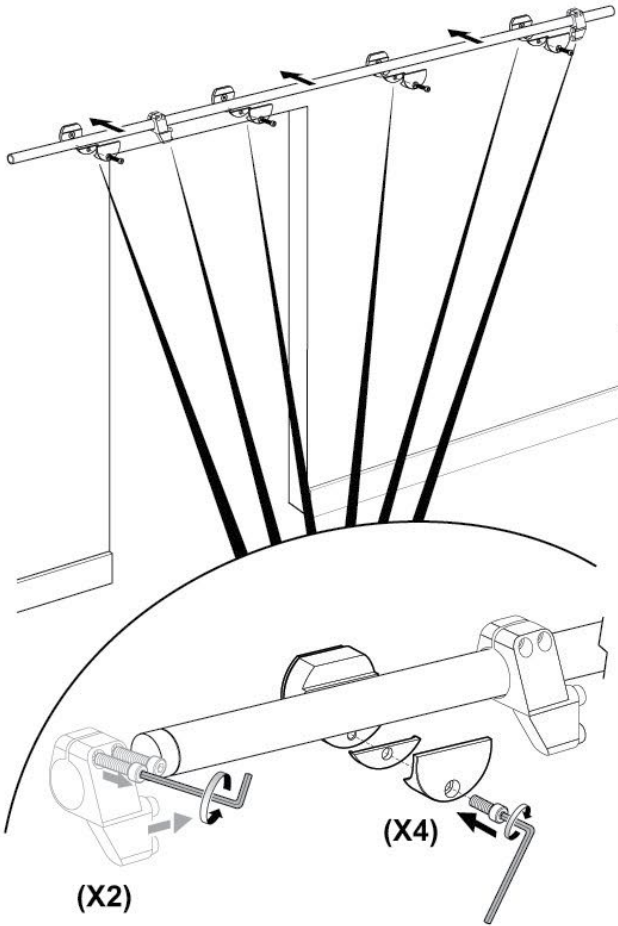


ARCHITECTURAL  
concepts

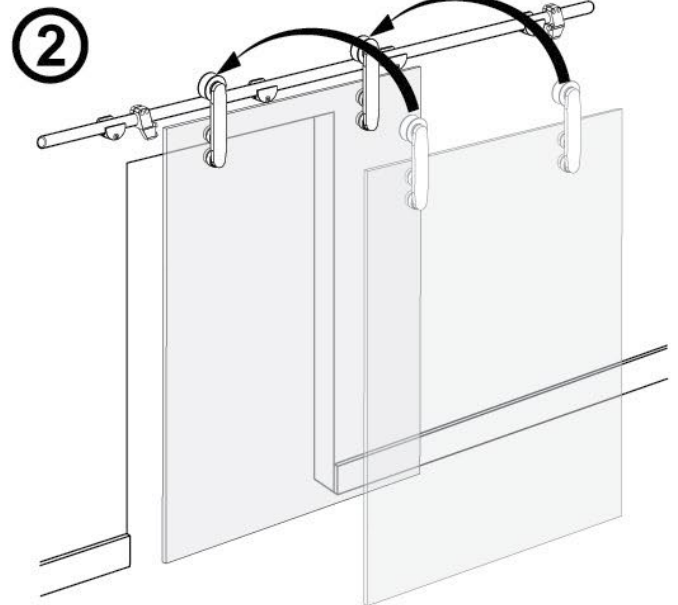
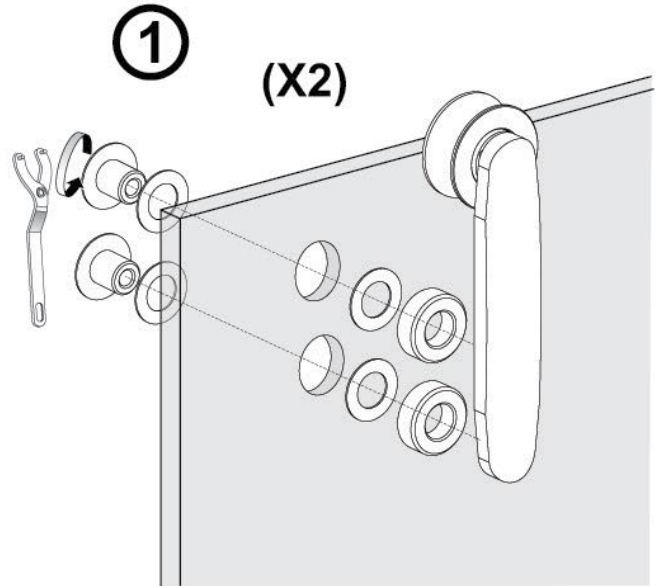
BARN DOOR INSTALLATION

AC5000Eseries

2



3



PAGE 2 OF 3

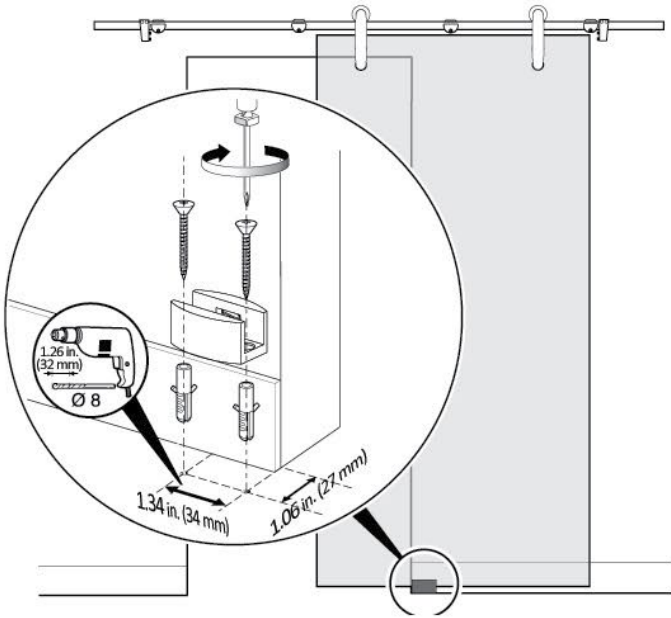


ARCHITECTURAL  
concepts

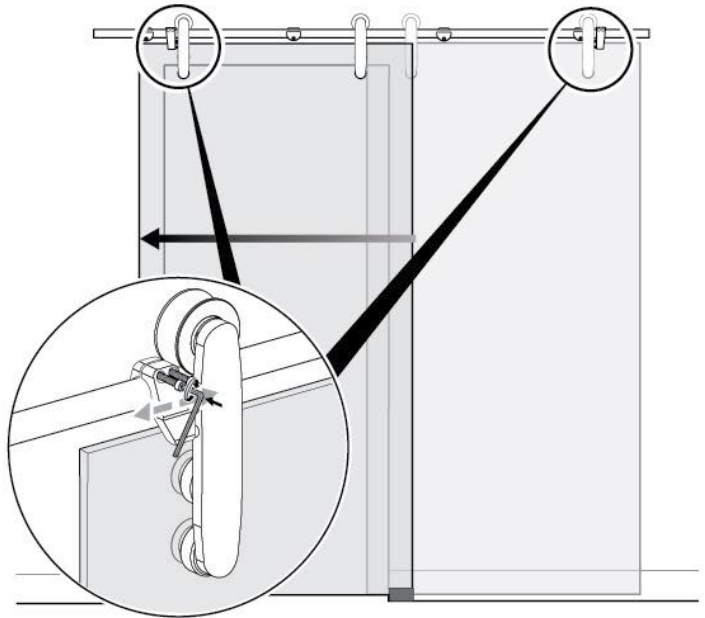
BARN DOOR INSTALLATION

AC5000Eseries

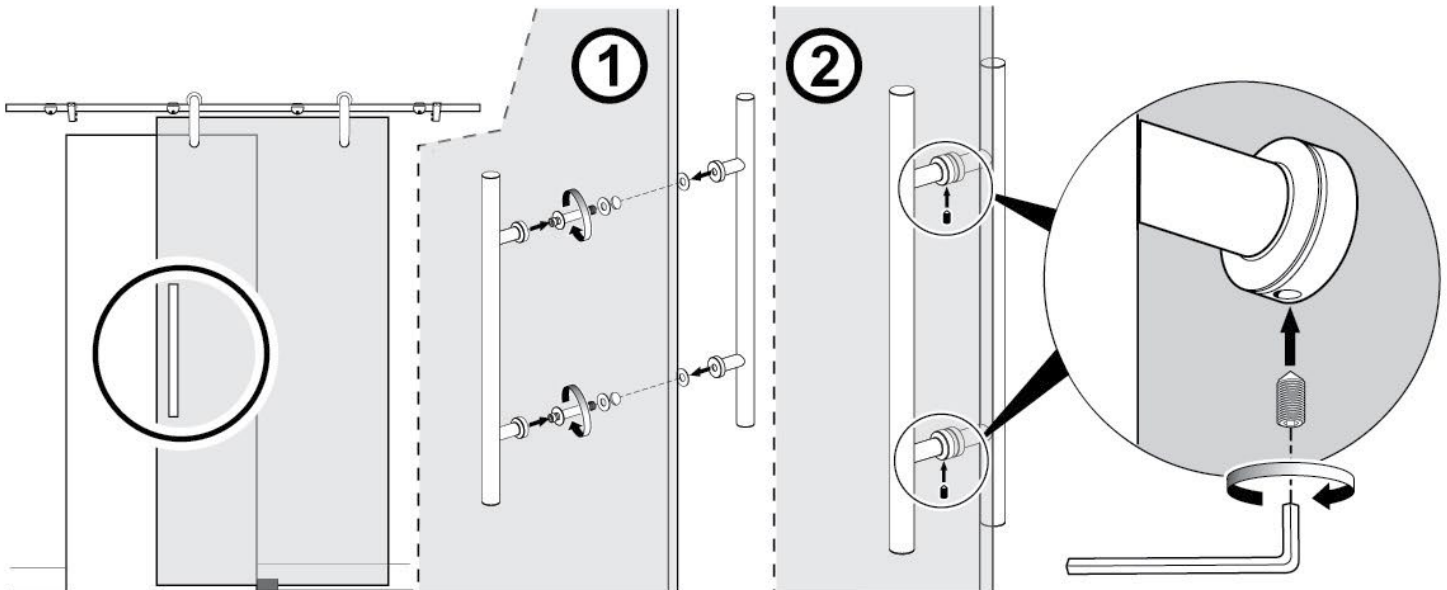
4



5



6



PAGE 3 OF 3