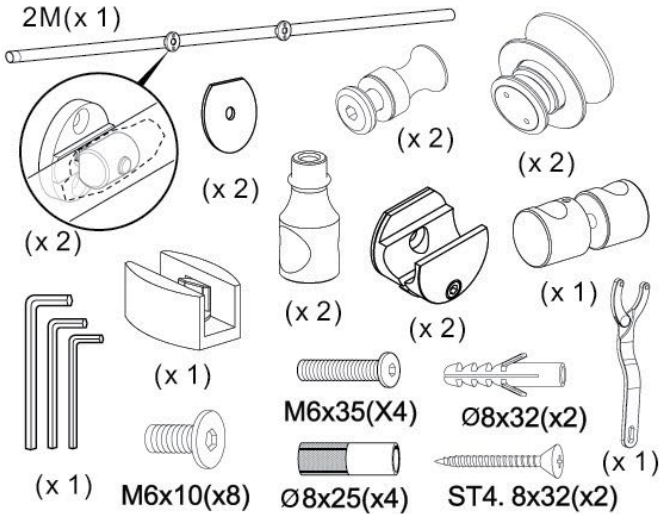




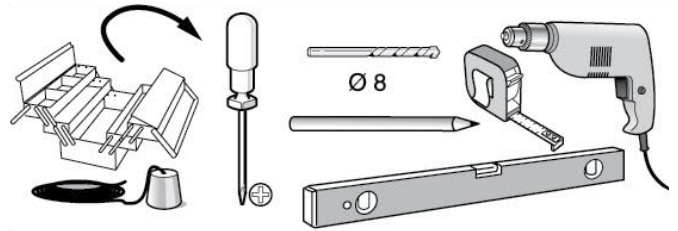
ARCHITECTURAL  
concepts

# BARN DOOR INSTALLATION AC5000Dseries

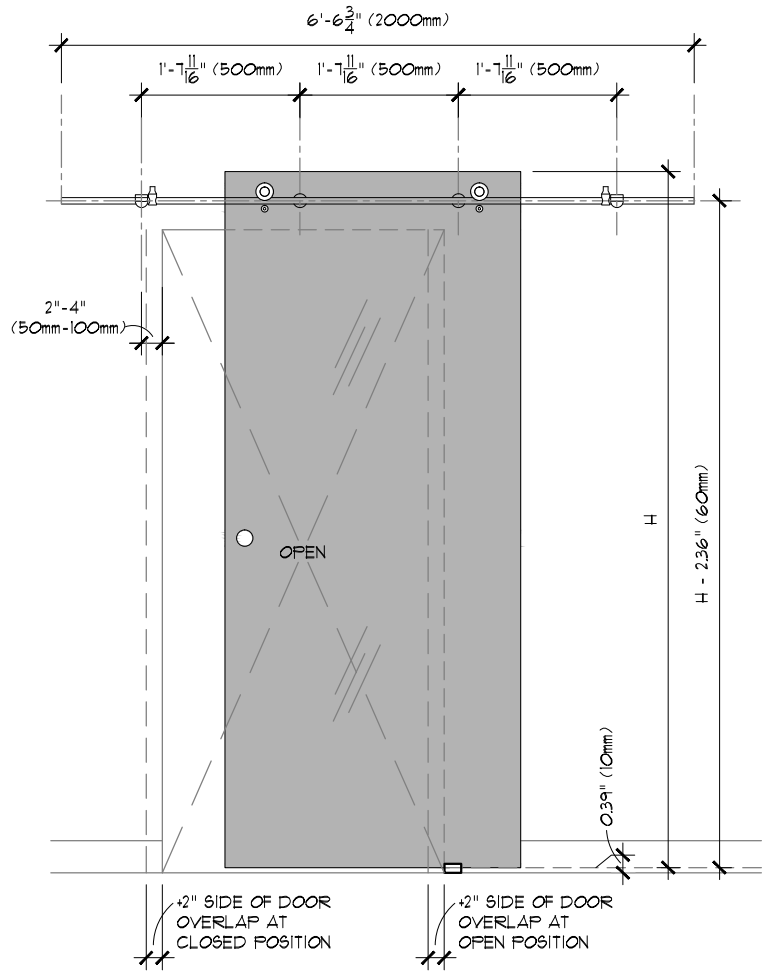
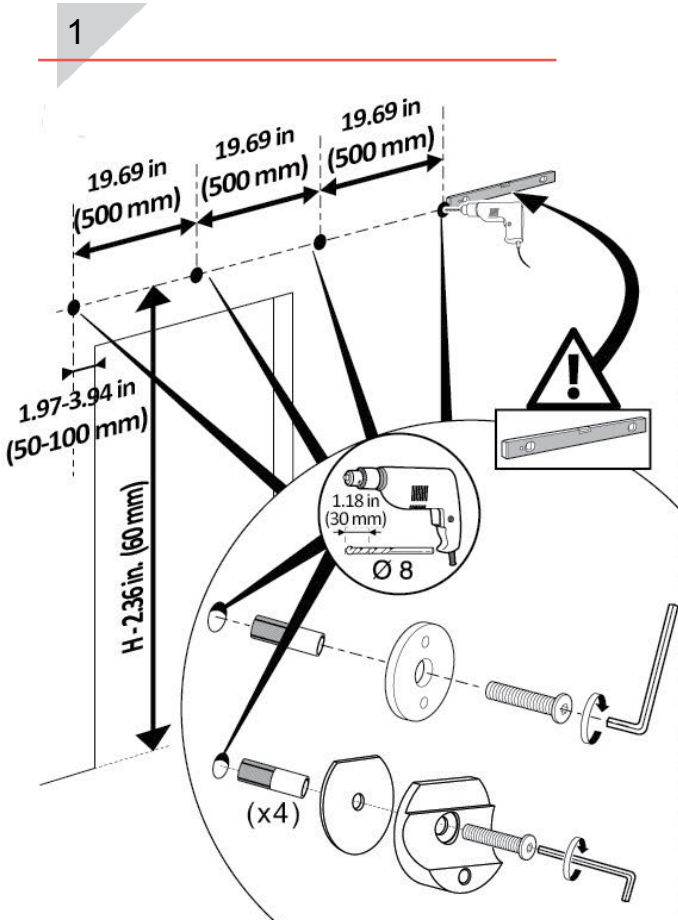
## MATERIALS PROVIDED



## TOOLS REQUIRED



## DIMENSIONS

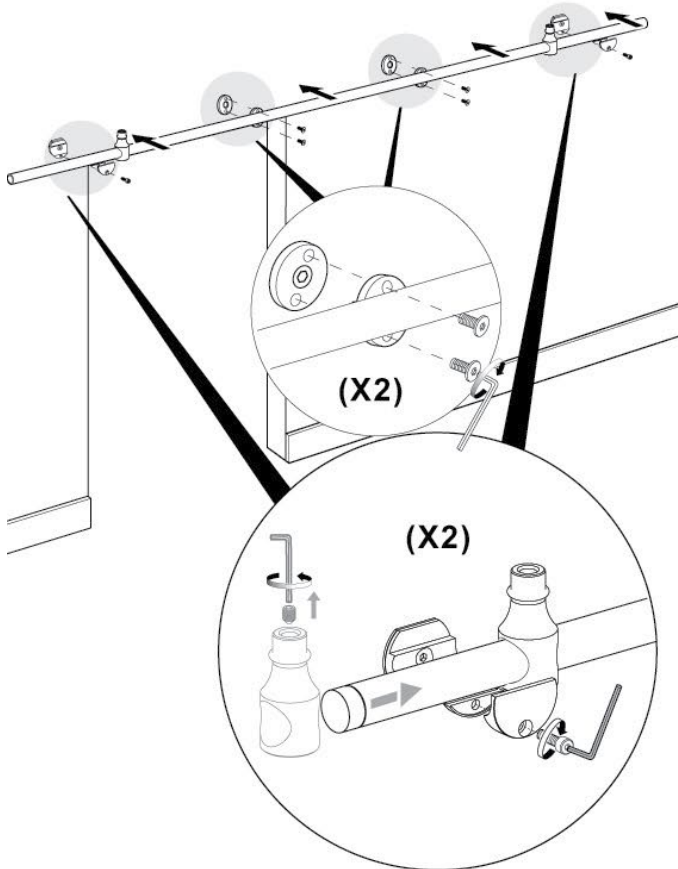




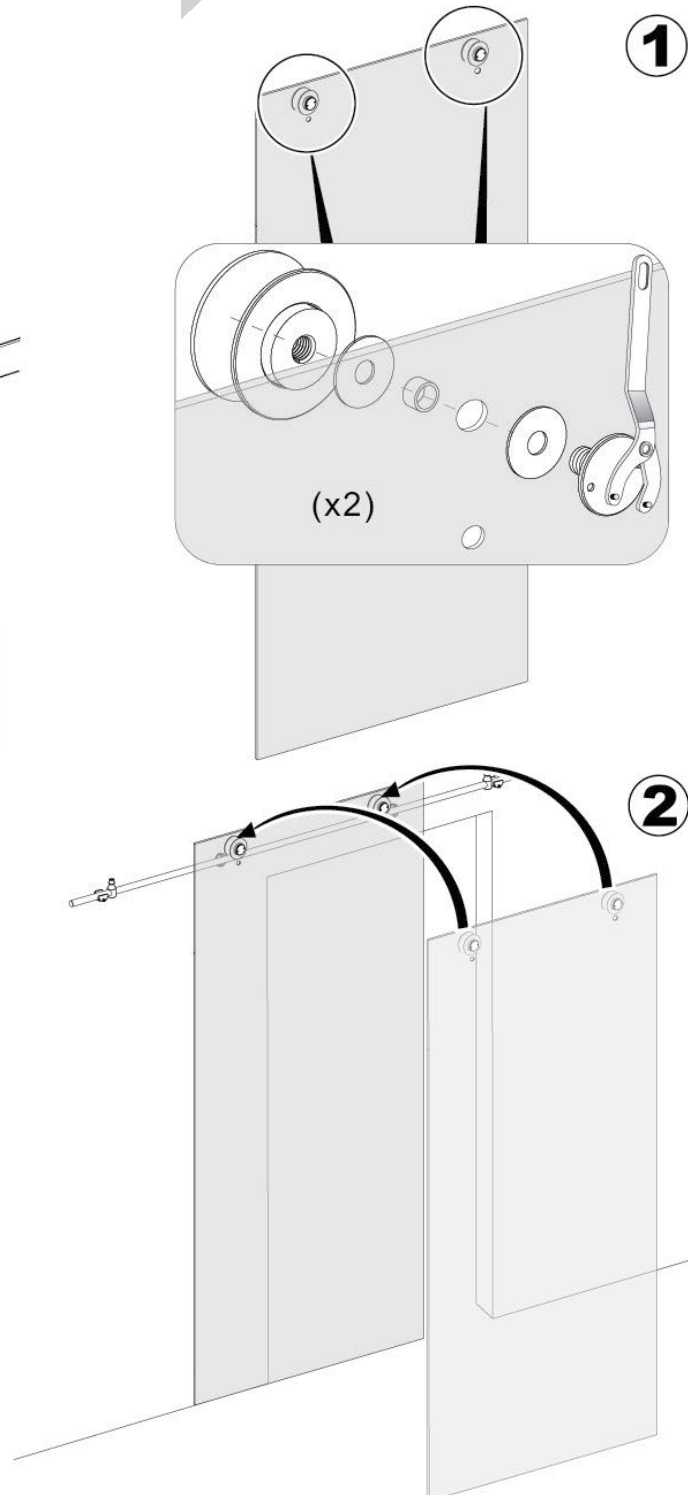
ARCHITECTURAL  
concepts

# BARN DOOR INSTALLATION AC5000Dseries

2



3



PAGE 2 OF 4

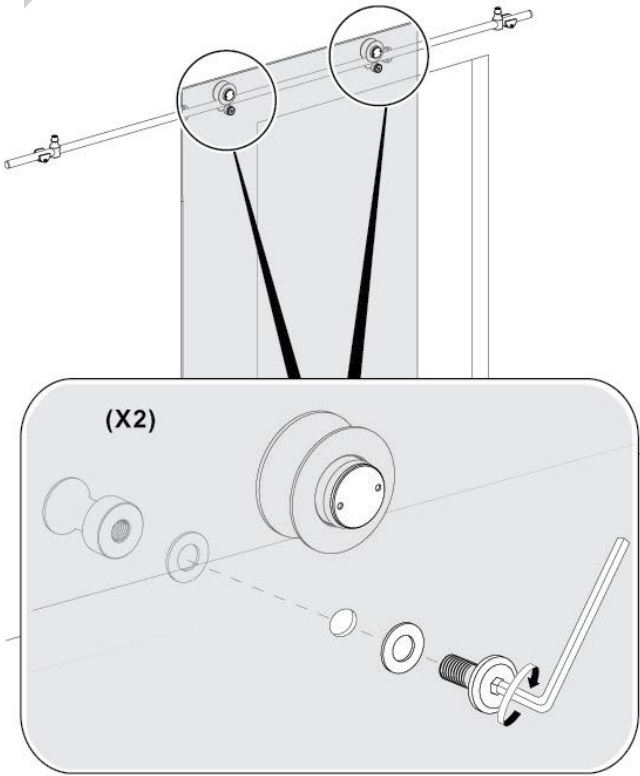


ARCHITECTURAL  
concepts

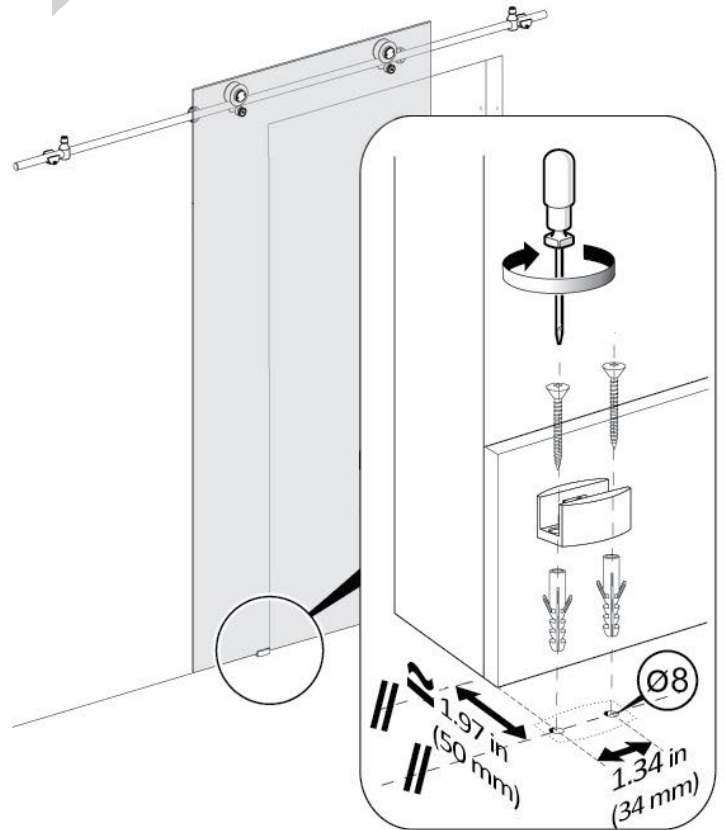
BARN DOOR INSTALLATION

AC5000Dseries

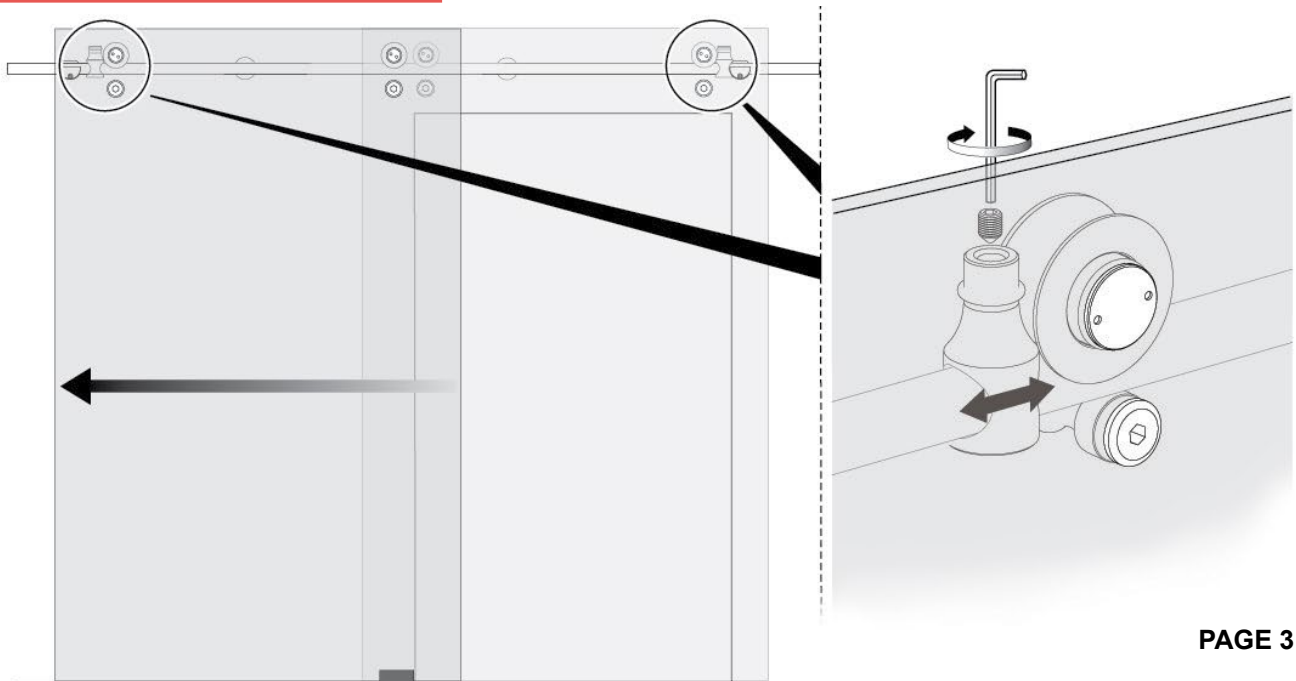
4



5



6



PAGE 3 OF 4

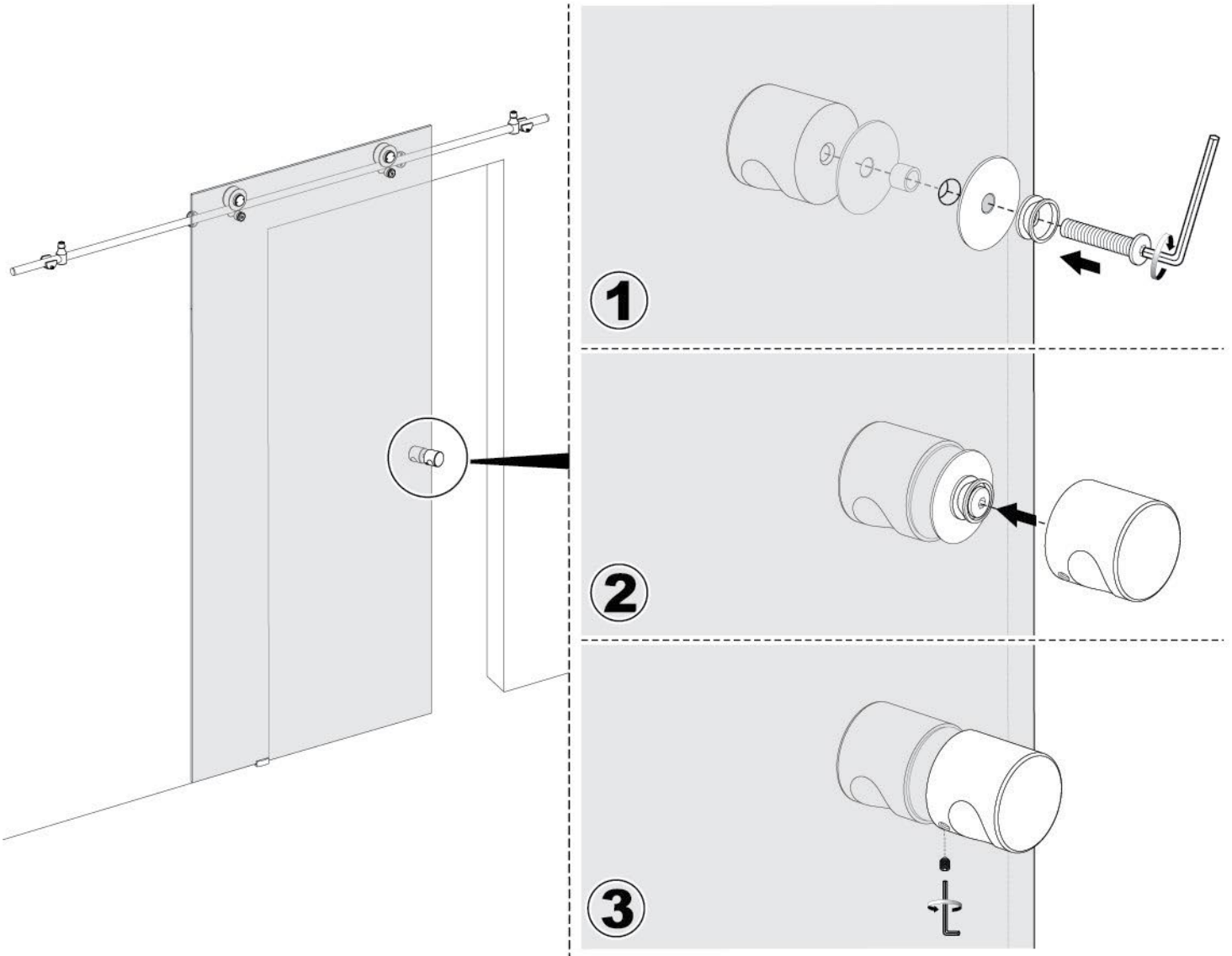


ARCHITECTURAL  
concepts

BARN DOOR INSTALLATION

AC5000Dseries

7



PAGE 4 OF 4