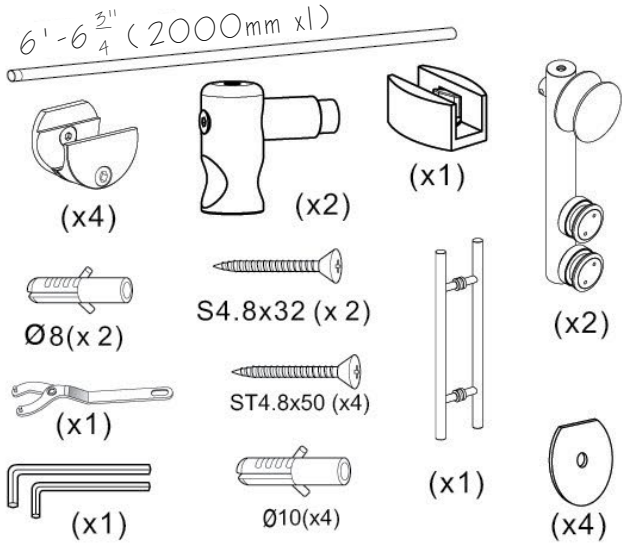




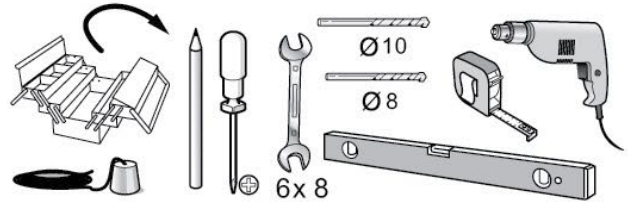
ARCHITECTURAL  
concepts

# BARN DOOR INSTALLATION AC5000Bseries

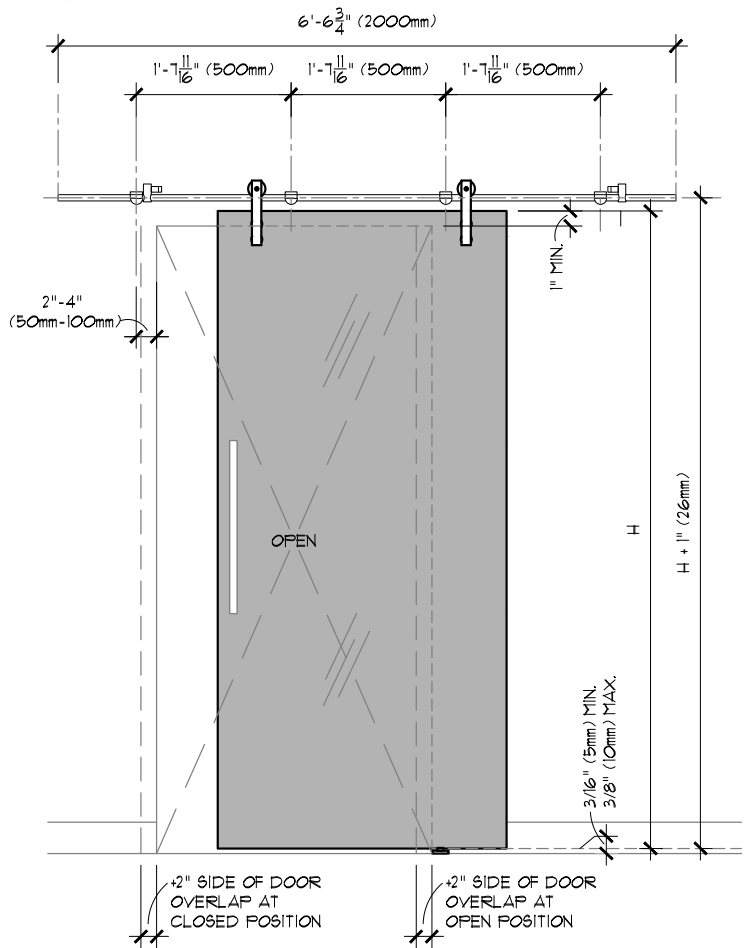
## MATERIALS PROVIDED



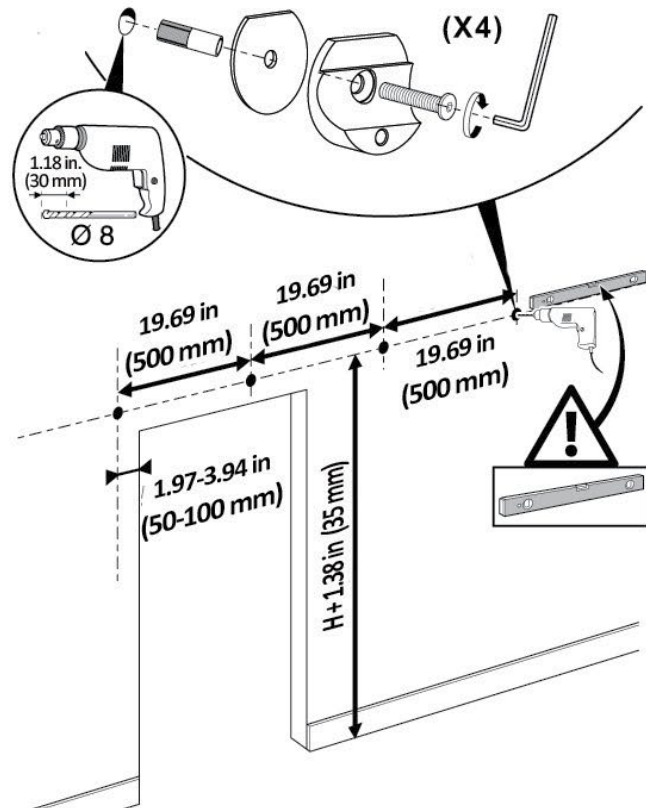
## TOOLS REQUIRED



## DIMENSIONS



1



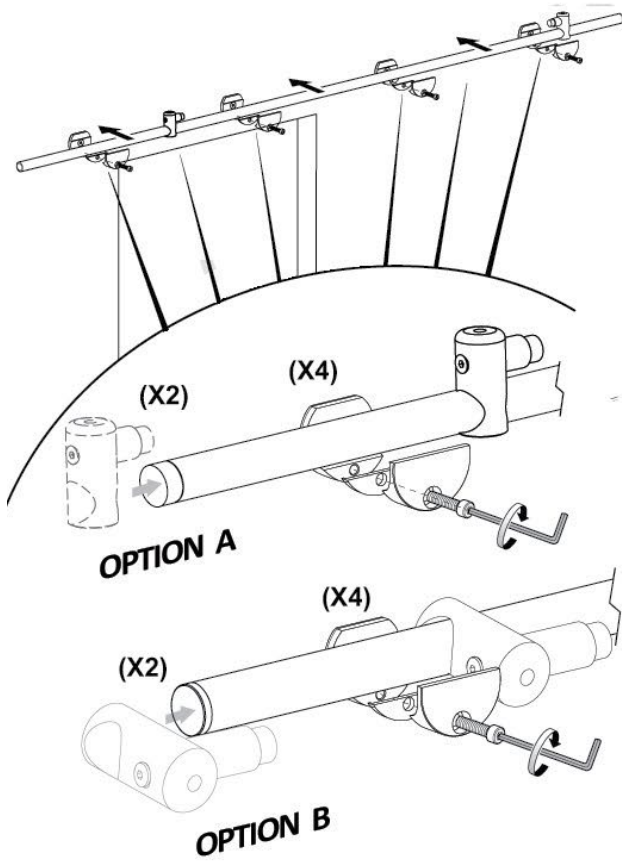


ARCHITECTURAL  
concepts

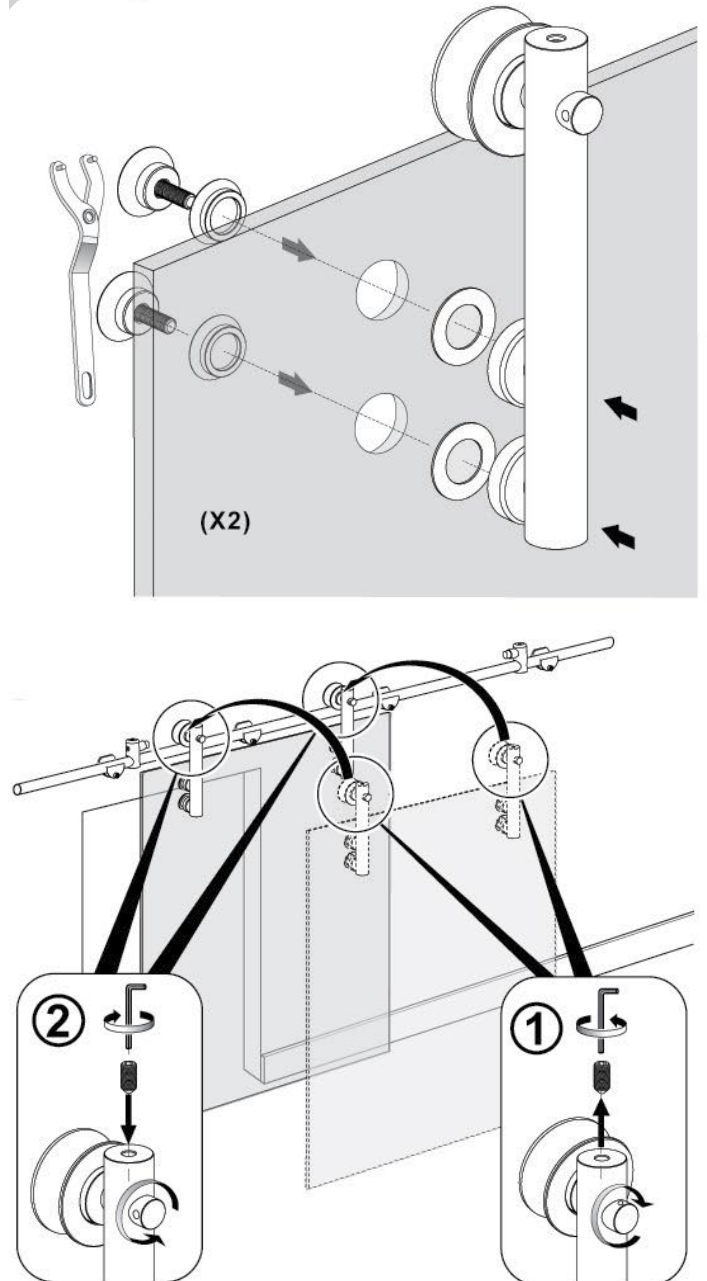
BARN DOOR INSTALLATION

AC5000Bseries

2



3



PAGE 2 OF 3

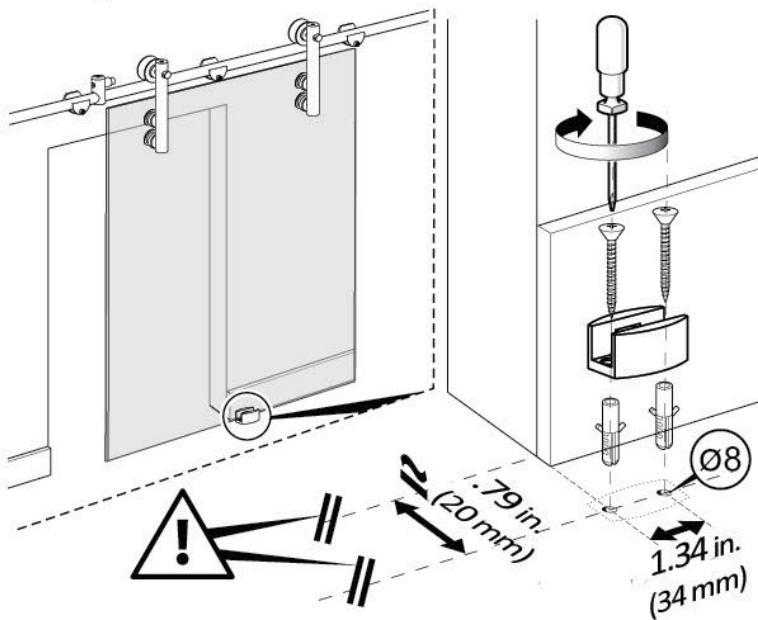


ARCHITECTURAL  
concepts

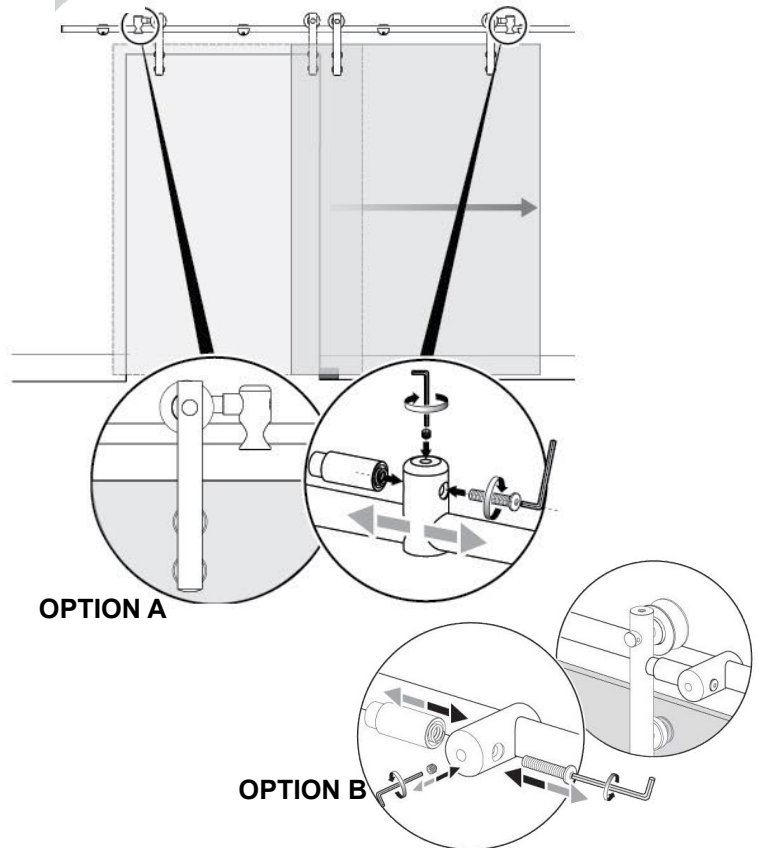
BARN DOOR INSTALLATION

AC5000Bseries

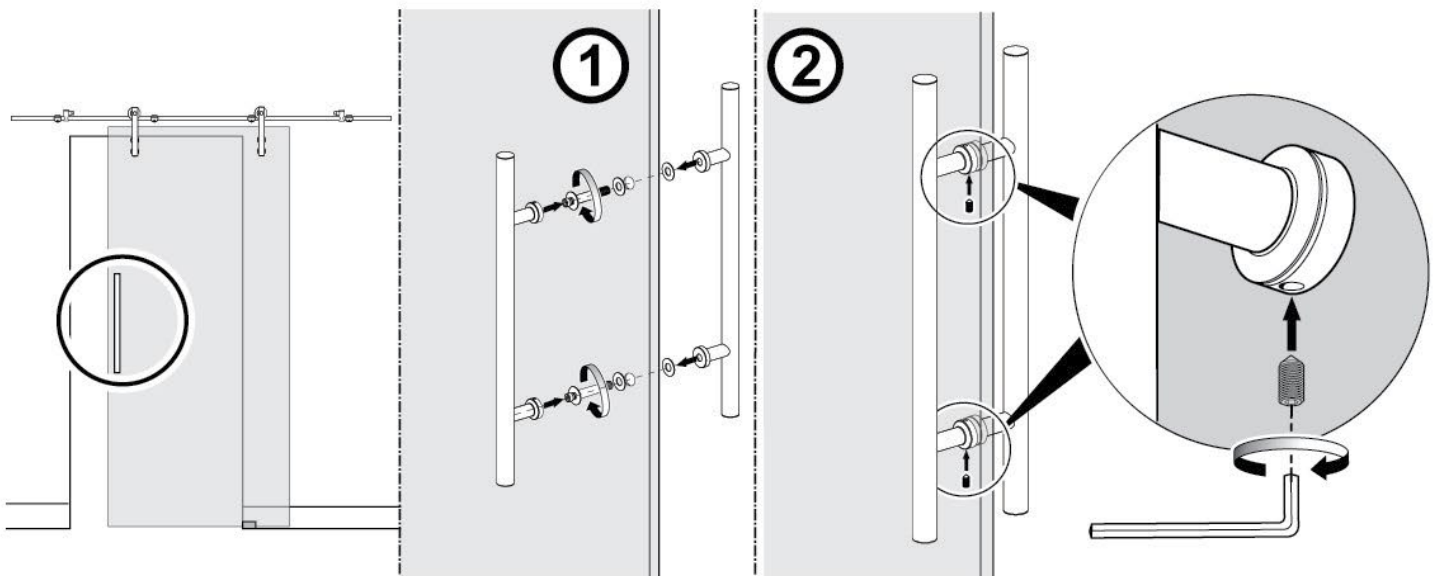
4



5



6



PAGE 3 OF 3